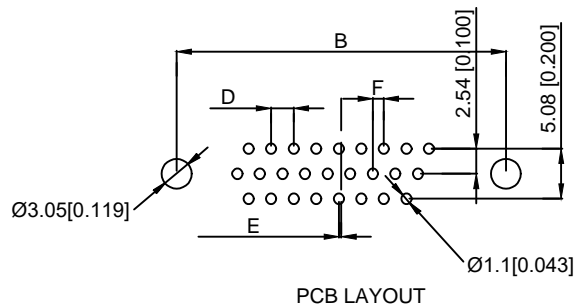
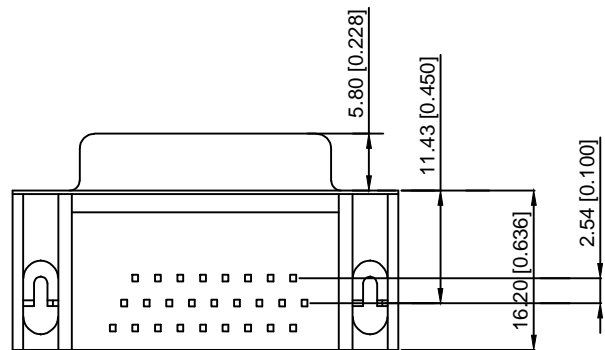


3D VIEW



Specifications:

规格:
 Current rating:5A AC/DC
 额定电流: 5A AC/DC
 Voltage rating:500V/DC
 额定电压: 500V DC
 Withstanding voltage:500 AC/minute
 耐受电压: ≥500V AC/分钟
 Temperature range:-55℃~+105℃
 温度范围: -55℃~+105℃
 Insulation resistance:1000MΩMIN
 绝缘电阻: ≥1000MΩ
 Contact resistance:30mΩMAN
 接触电阻: ≤30mΩ
 Material:
 材料:
 Contacts:Brass Gold Plated
 接触: 黄铜镀金
 Insulator:PBT+30%
 绝缘体: PBT+30%
 Shell (Fead):Spcc
 外壳: 铁

X06 XX F X X X X
 ① ② ③ ④ ⑤ ⑥ ⑦

- ① Series NO.
- ② Row No.Pin No.XX-09;15;25;37
- ③ Welding Board Angle :F-Fmale
- ④ T: Tradutional C: Car-pin
- ⑤ Planting Categoty: 1:1U 2:2U 3:3U 4:5U 5:15U 6:30U 7:AU Sn
- ⑥ B:BLACK W:White BL:Blue Y:Yellow G:Green R:Red
- ⑦ 1:TYPE-1; 2:TYPE-2; 3:TYPE-3; 4:TYPE-4; 5:TYPE-5; 6:TYPE-6

| 铆合方式 | TYPE-1: 铆合 | TYPE-6: 直铆锁 | TYPE-3: 叉锁 | TYPE-2: 铆合锁螺丝 |
|------|------------|-------------|------------|---------------|
| 图式 | | | | |

| NO.POS | A | B | C | D | E | F |
|--------|-------|-------|-------|------|------|------|
| 15PIN | 16.33 | 24.99 | 30.80 | 2.29 | 0.28 | 1.15 |
| 26PIN | 24.70 | 33.32 | 39.20 | 2.29 | 0.50 | 1.15 |
| 44PIN | 38.38 | 47.04 | 53.10 | 2.29 | 0.50 | 1.15 |
| 62PIN | 54.84 | 63.50 | 69.40 | 2.42 | 0.58 | 1.21 |

| REVISIONS | | | | | UNSPECIFIED TOLERANCES | DSND | DATE | SCALE: N/A | MODEL TYPE: |
|-----------|-------------|------|---------|----------|------------------------|--------------------------------------|------|-------------|----------------|
| Δx | | | | | units: mm | DWN | DATE | VIEW: | PART NO.: |
| Δx | | | | | tolerance: X.X ±0.2mm | CHKD | DATE | UNIT: mm/in | DWG NO.: |
| Δx | | | | | X.XX ±0.1mm | APPD | DATE | SIZE: A4 | X06XXFXXXX |
| MARK | DESCRIPTION | DATE | REVISED | APPROVED | X.XXX ±0.05mm | XKB INDUSTRIAL PRECISION CO.,LIMITED | | | WEIGHT 1.0g |
| | | | | | | | | | SHEET 1/1 |
| | | | | | | | | | REVISION A0 |