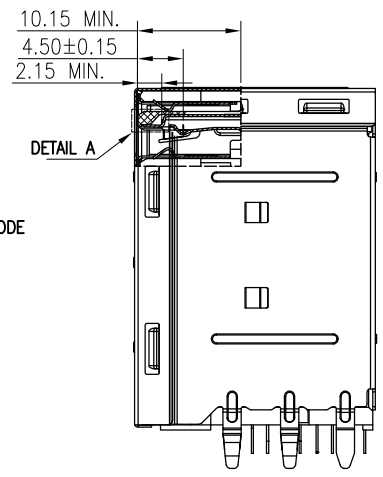


REV.	ECN NO./DESCRIPTION	DATE
11	N170306	07/05'2017
12	N170537	01/17'2018
13	N180061	02/05'2018



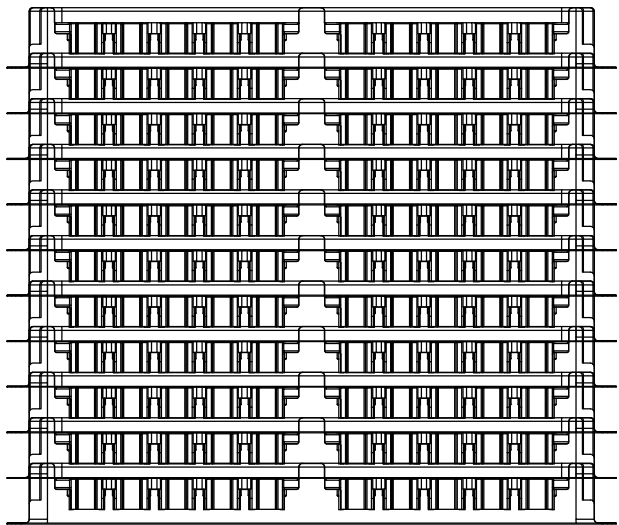
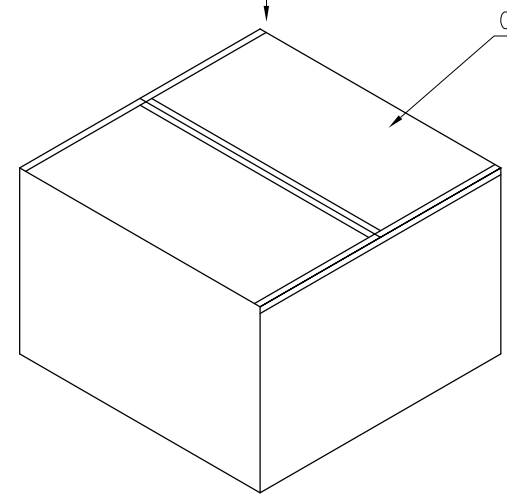
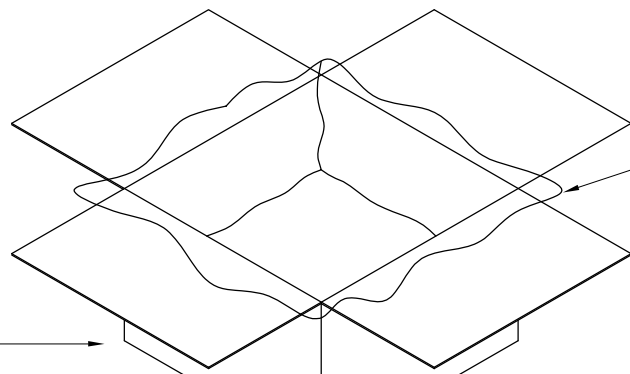
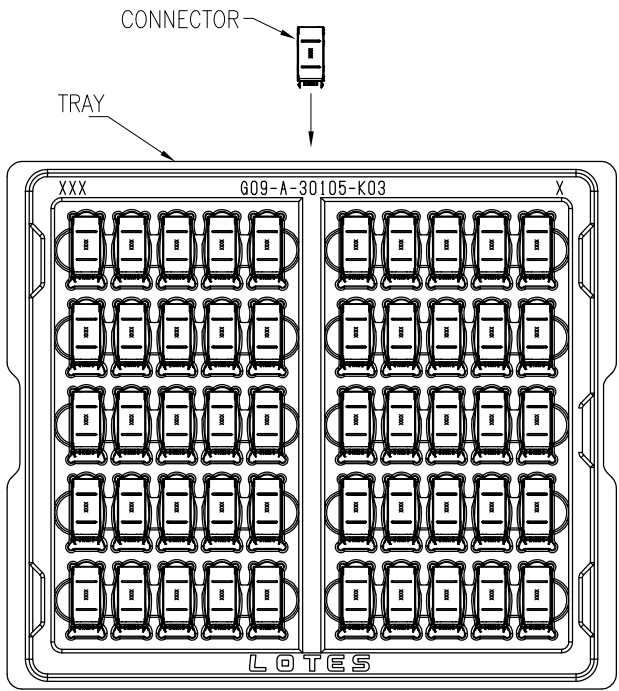
GENERAL TOLERANCES UNLESS SPECIFIED		PART NO. <b>SEE TABLE</b>	<b>LOTES</b>		
.X± 0.35	X°± 3°				
.XX± 0.25	.X°± 2°		APPROVED BY Jie_Liao	DWG NO. GAP-ABA-USB-094	
.XXX± 0.15	.XX°± 1°	CHECKED BY Min_Xu	DRAWN BY Chen_Gang		
SIZE A4	UNITS mm[inch]	DRAWN BY Chen_Gang		SHEET 1 / 3	
				SCALE 1:1	REV 13



REV.	ECN NO./DESCRIPTION	DATE
11	N170306	07/05'2017
12	N170537	01/17'2018
13	N180061	02/05'2018

F  
E  
D  
C  
B  
A

F  
E  
D  
C  
B  
A



- NOTES:
- 1 .QUANTITY/TRAY: 50 PCS/TRAY
  - 2 .CARTON/TRAY: 10 TRAY/CARTON
  - 3 .QUANTITY/CARTON: 500 PCS/CARTON

GENERAL TOLERANCES UNLESS SPECIFIED		PART NO.	<b>LOTES</b>			
.X± 0.35	X.°± 3°	SEE TABLE				
.XX± 0.25	.X.°± 2°	APPROVED BY	TITLE			
.XXX± 0.15	.XX.°± 1°	Jie_Liao	USB3.0X4PORT CONN.			
CUSTOMER DRAWING		CHECKED BY	DWG NO.			
		Min_Xu	GAP-ABA-USB-094			
SIZE	UNITS	DRAWN BY		SHEET	SCALE	REV
A4	mm[inch]	Chen_Gang		3 / 3	1:1	13

1 2 3 4 5 6 7 8

1 2 3 4 5 6 7 8

	1	2	3	4	5	6	7	8	
<b>F</b>	TABLE								<b>F</b>
<b>E</b>	21	ABA-USB-094-P33	PA9T_BLUE 300C;BRASS_Au 1u”						
	20	ABA-USB-094-P32	PA9T_BLUE 300C;BRASS_Au 15u”						
	19	ABA-USB-094-K29	PA66_BLACK;BRASS_Au2u”+30u”Pd-Ni						
	18	ABA-USB-094-P29	PA66_BLACK;BRASS_Ni-Pd 30u”+Au 2u”						
	17	ABA-USB-094-P24	PA66_BLUE 300C;BRASS_Au 15u”						
<b>D</b>	16	ABA-USB-094-K24	PA66_BLUE 300C;BRASS_Au 15u”						
	15	ABA-USB-094-K23	PA66_BLUE 300C;BRASS_Ni-Pd 30u”+Au 2u”(FOR MSI)						
	14	ABA-USB-094-K22	PA66_BLUE 300C;BRASS_Ni-Pd 15u”+Au 2u”(FOR MSI)						
	13	ABA-USB-094-K21	1PORT PA66_WHITE;2~4PORT PA66 BLUE 300C;BRASS_Au 1u”						
	12	ABA-USB-094-K20	PA66_RED 200C;BRASS_Ni-Pd 15u”+Au 2u”						
<b>C</b>	11	ABA-USB-094-P18	PA9T_BLUE 300C;BRASS_Ni-Pd 30u”+Au 5u”						
	10	ABA-USB-094-P14	PA9T_BLUE ;BRASS_Ni-Pd 15u”+Au 2u”						
	9	ABA-USB-094-P13	PA9T_BLUE ;BRASS_Au 30u”						
	8	ABA-USB-094-P12	PA9T_BLUE;BRASS_Ni-Pd 30u”+Au 2u”						
	7	ABA-USB-094-K10	PA66_BLUE 300C;BRASS_Ni-Pd 30u”+Au 2u”						
<b>B</b>	6	ABA-USB-094-K05	PA66_BLUE 300C;BRASS_Ni-Pd 15u”+Au 2u”						
	5	ABA-USB-094-P03	PA66_BLUE 300C;BRASS_Ni-Pd 30u”+Au 2u”						
	4	ABA-USB-094-P01	PA66_BLUE 300C;BRASS_Au 1u”						
	3	ABA-USB-094-K03	PA66_BLUE 300C;BRASS_Ni-Pd 30u”+Au 2u”						
	2	ABA-USB-094-K02	PA66_BLUE 300C;BRASS_Ni-Pd 15u”+Au 2u”						
<b>A</b>	1	ABA-USB-094-K01	PA66_BLUE 300C;BRASS_Au 1u”						
	NO.	PART NO.	DESCRIPTION						
	1	2	3	4	5	6	7	8	