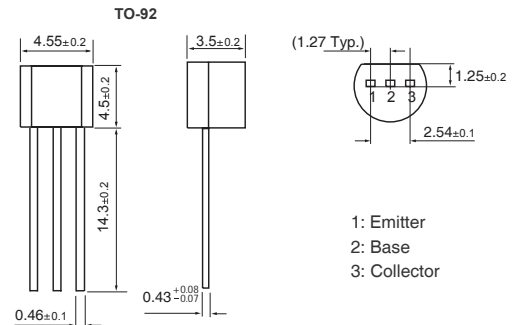


**FEATURES**

Complimentary to S8050

 Collector Current:  $I_C = 0.5A$ 

**ABSOLUTE MAXIMUM RATINGS at  $T_a = 25^\circ C$** 

Parameter	Symbol	Ratings	Unit
Collector to Base Voltage	$V_{CBO}$	-40	V
Collector to Emitter Voltage	$V_{CEO}$	-25	V
Emitter to Base Voltage	$V_{EBO}$	-5	V
Collector Current	$I_C$	-500	mA
Total Power Dissipation	$P_D$	625	mW
Junction, Storage Temperature	$T_J, T_{STG}$	+150, -55 ~ +150	$^\circ C$

**ELECTRICAL CHARACTERISTICS ( $T_{AMB} = 25^\circ C$  unless otherwise specified)**

Parameter	Symbol	Min.	Typ.	Max.	Unit	Test Conditions
Collector-base Breakdown Voltage	$V_{(BR)CBO}$	-40	-	-	V	$I_C = -100 \mu A, I_E = 0$
Collector-emitter Breakdown Voltage	$V_{(BR)CEO}$	-25	-	-	V	$I_C = -1 mA, I_B = 0$
Emitter-base Breakdown Voltage	$V_{(BR)EBO}$	-5	-	-	V	$I_E = -100 \mu A, I_C = 0$
Collector Cut-off Current	$I_{CBO}$	-	-	-0.1	$\mu A$	$V_{CB} = -40 V, I_E = 0$
Collector Cut-off Current	$I_{CEO}$	-	-	-0.1	$\mu A$	$V_{CE} = -20 V, I_B = 0$
Emitter Cut-off Current	$I_{EBO}$	-	-	-0.1	$\mu A$	$V_{EB} = -3 V, I_C = 0$
DC Current Gain	$h_{FE(1)}$	85	-	400		$V_{CE} = -1 V, I_C = -50 mA$
	$h_{FE(2)}$	50	-	-		$V_{CE} = -1 V, I_C = -500 mA$
Collector-emitter Saturation Voltage	$V_{CE(sat)}$	-	-	-0.6	V	$I_C = -500 mA, I_B = -50 mA$
Base-emitter Saturation Voltage	$V_{BE(sat)}$	-	-	-1.2	V	$I_C = -500 mA, I_B = -50 mA$
Transition Frequency	$f_T$	150	-	-	MHz	$V_{CE} = -6 V, I_C = -20 mA, f = 30 MHz$

**CLASSIFICATION OF  $h_{FE}$** 

Rank	B	C	D
Range	85 - 160	120 - 200	160 - 300

**CHARACTERISTIC CURVES**
