

SOD-123 Plastic-Encapsulate Diodes

2CZ4006 RECTIFICATION DIODE

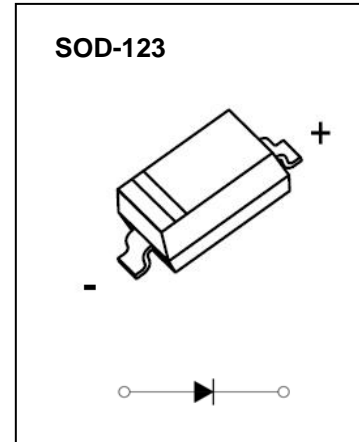
FEATURE

- Low Leakage Current
- Ideal for Surface Mounted Applications

MARKING: Z46



The marking bar indicates the cathode



MAXIMUM RATINGS ($T_a=25^{\circ}\text{C}$ unless otherwise noted)

| Symbol | Parameter | Value | Unit |
|-----------------|--|----------|-----------------------------|
| V_{RM} | Non-repetitive peak reverse voltage | 800 | V |
| V_R | Reverse Voltage | | |
| $V_{R(RMS)}$ | RMS reverse voltage | 560 | V |
| I_O | Average rectified output current | 1 | A |
| I_{FSM} | Non-repetitive peak forward surge current @ $t=8.3\text{ms}$ | 7.5 | A |
| P_D | Power dissipation | 350 | mW |
| $R_{\theta JA}$ | Thermal resistance from junction to ambient | 357 | $^{\circ}\text{C}/\text{W}$ |
| T_J, T_{stg} | Operation Junction and Storage Temperature Range | -55~+150 | $^{\circ}\text{C}$ |

ELECTRICAL CHARACTERISTICS ($T_a=25^{\circ}\text{C}$ unless otherwise specified)

| Parameter | Symbol | Test conditions | Min | Typ | Max | Unit |
|-------------------|------------|--------------------------------|-----|-----|-----|---------------|
| Reverse voltage | $V_{(BR)}$ | $I_R=0.1\text{mA}$ | 800 | | | V |
| Reverse current | I_R | $V_R=800\text{V}$ | | | 5 | μA |
| Forward voltage | V_F | $I_F=1\text{A}$ | | | 1.1 | V |
| Total capacitance | C_{tot} | $V_R=4\text{V}, f=1\text{MHz}$ | | | 15 | pF |

