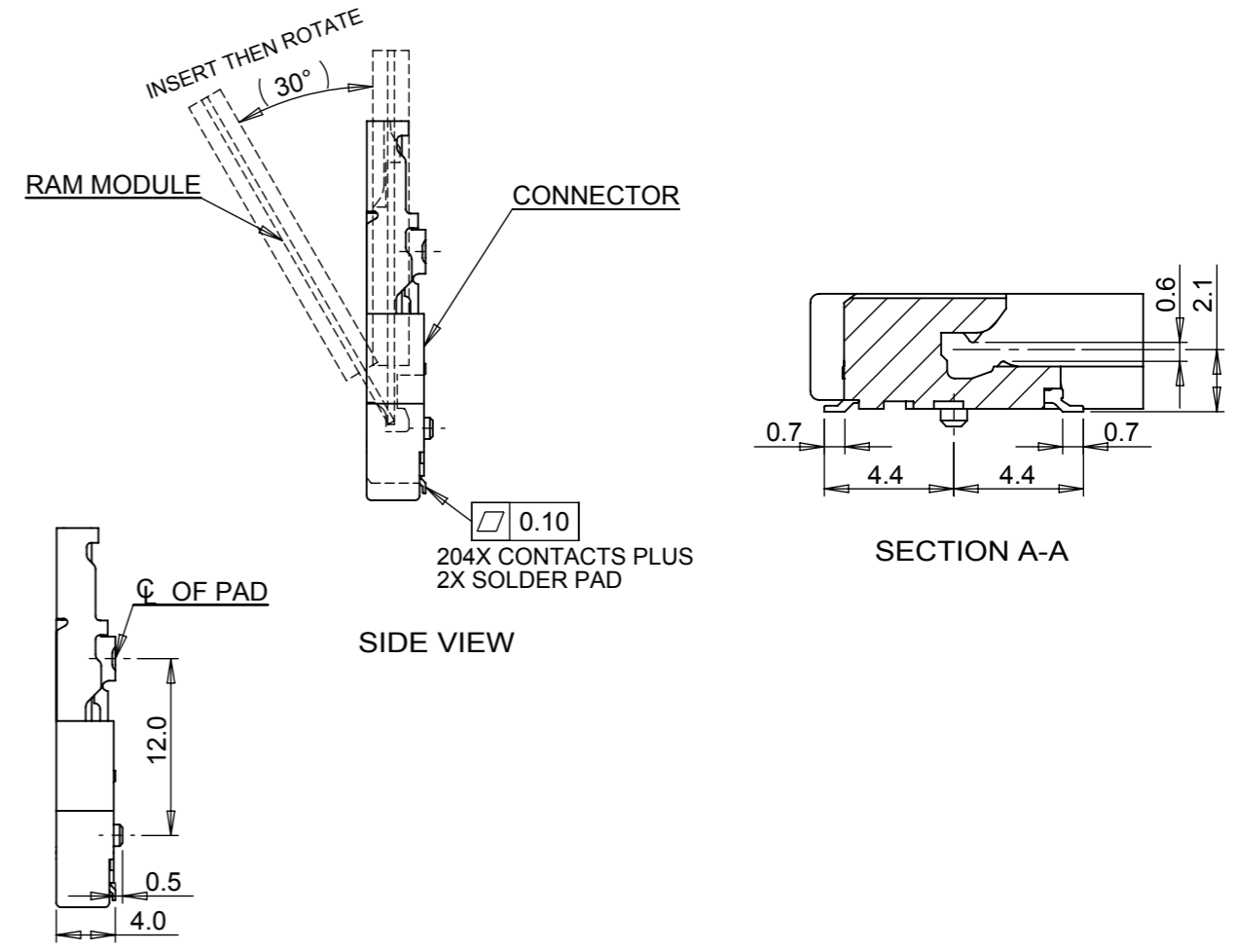
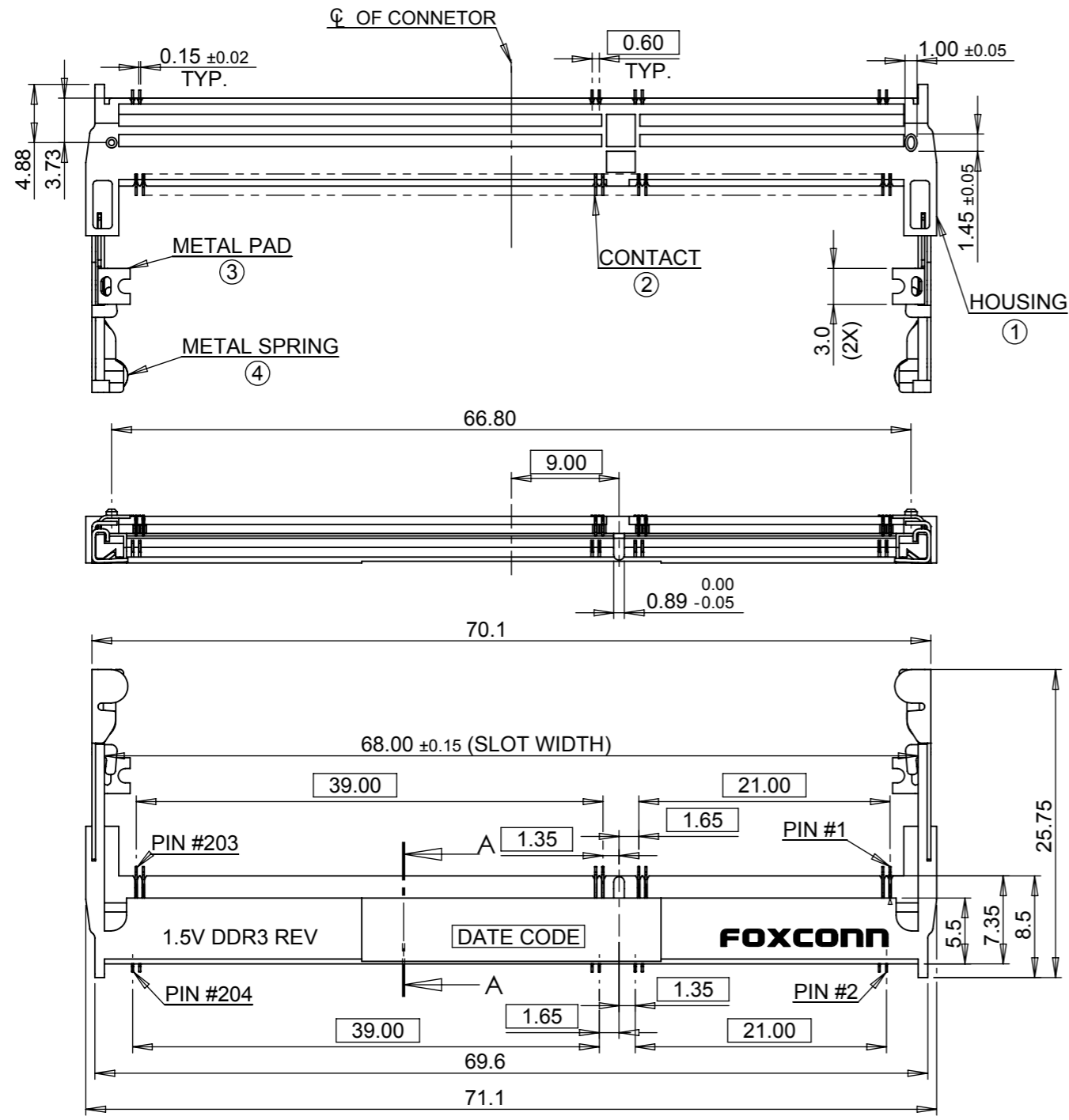


SOLIDWORKS GENERATED DRAWING. DON'T CHANGE BY HAND.

REV.	ECN. NO.	APPD.
A	BC-12-0058823	Bruce Wu

NOTES:

- ELECTRICAL CHARACTERISTICS:
 - CONTACT CURRENT RATING: 0.5 AMPERE MAX. PER PIN.
 - VOLTAGE RATING: 25V AC.
 - INSULATION RESISTANCE: 100 MEGAOHMS MIN. AT 500V DC.
 - DIELECTRIC WITHSTANDING VOLTAGE: 250V AC RMS AT 60Hz, FOR 1 MINUTE.
 - CONTACT RESISTANCE: 50 MILLIOHMS MAX. PER PIN INITIAL
60 MILLIOHMS MAX. PER PIN AFTER FULL ENVIRONMENTAL TESTING.
- MECHANICAL CHARACTERISTICS: DURABILITY: 25 MATING CYCLES.
- OPERATION TEMPERATURE: -55°C TO +85°C.
- PLEASE CONTACT FOXCONN SALES REPRESENTATIVE TO VERIFY PRODUCT DETAILS & AVAILABILITY.



PART NO. DESCRIPTION: **A S 0 A 6 2 * - J 4 R 6 - * H**

MEMORY MODULE SOCKET

HORIZONTAL TYPE

SINGLE ROW

NO. OF POS. A6 = 204 POS.

SMT

CONTACT AREA PLATING
6=10u" GOLD PLATING
1=GOLD FLASH

H=HALOGEN/LEAD FREE

4=SOFT TRAY
7=TAPE REEL

6=NORMAL TYPE

R=REVERSE

4=4.0mm HEIGHT

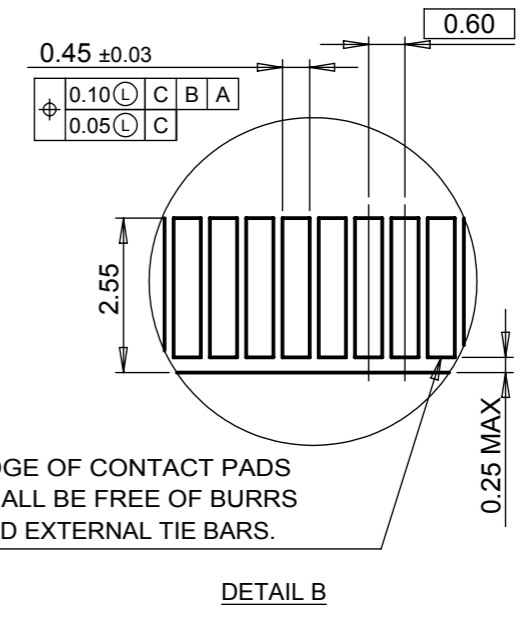
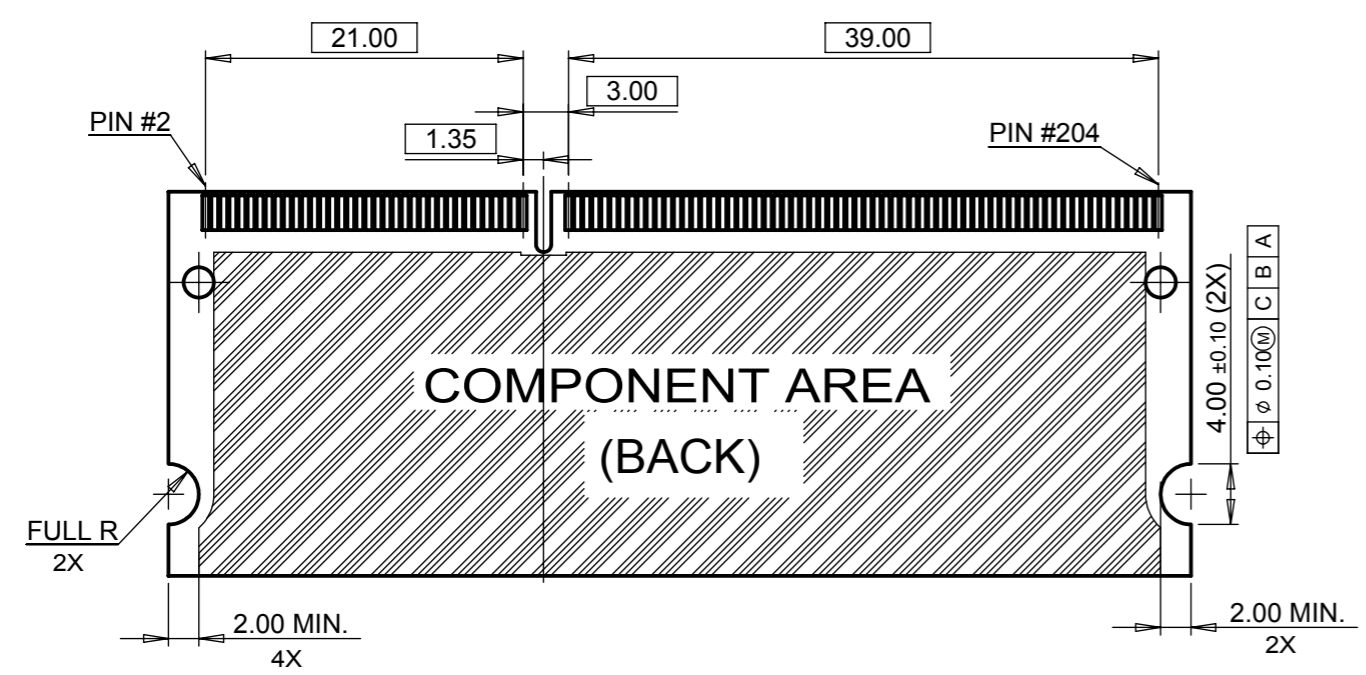
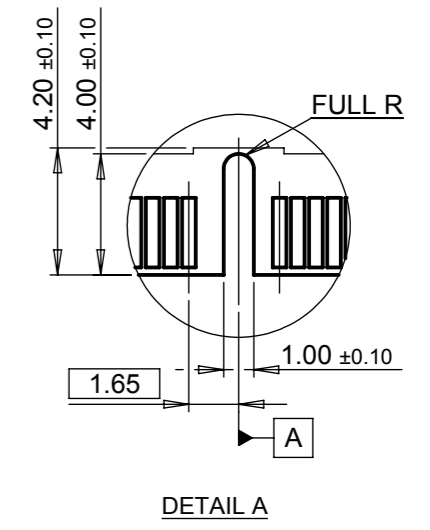
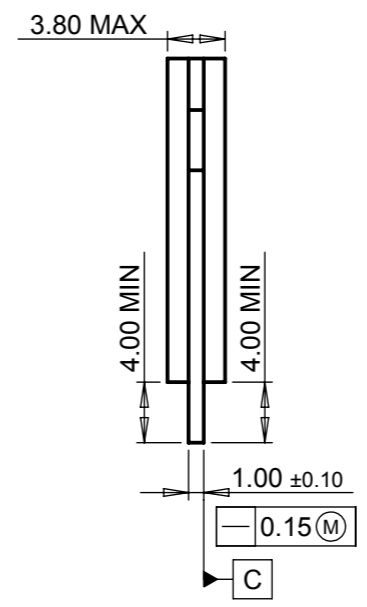
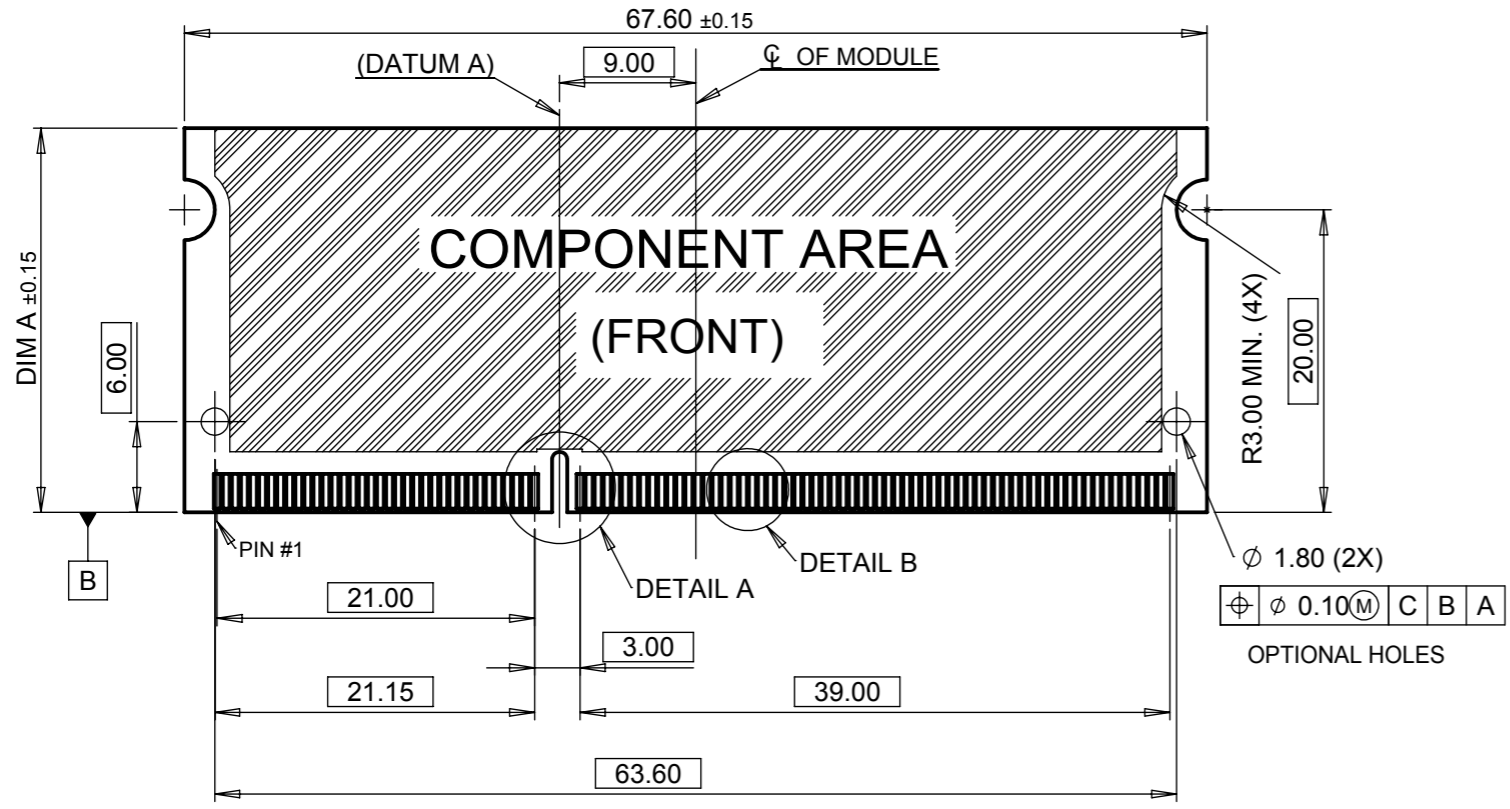
J=DDR III SO DIMM

ITEM	DESCRIPTION	Q'TY	MATERIAL	TREATMENT
4	METAL SPRING	2	STAINLESS STEEL	ULTRASONIC CLEANING
3	METAL PAD	2	STAINLESS STEEL	10u" NICKEL UNDER PLATING 100u" MATTE TIN PLATING OVER SOLDER PAD AREA
2	CONTACT	204	COPPER ALLOY	50u" NICKEL UNDER PLATING GOLD FLASH PLATING AT TAIL 10u" GOLD PLATING OR GOLD FLASH AT CONTACT AREA
1	HOUSING	1	THERMOPLASTIC	UL94V-0, HALOGEN FREE, IVORY COLOR

X. ±	X. °	UNITS mm	NAME (INTENDED USE)	FOXCONN HON HAI PRECISION IND. CO., LTD. TAIPEI, TAIWAN, R.O.C.	
.X ±	.X °		DDR III SO DIMM Connector		
.XX ±	.XX °		PART NO. (INTENDED USE)		TITLE:
.XXX ±	.XXX °		AS0A62*-J4R6-*H		CUSTOMER DRAWING
THESE DRAWINGS AND SPECIFICATIONS ARE THE PROPERTY OF HON HAI PRECISION IND. CO., LTD. AND SHALL NOT BE REPRODUCED, COPIED OR USED IN ANY MANNER WITHOUT THE PRIOR WRITTEN CONSENT OF HON HAI PRECISION IND. CO., LTD.			APPD: Bruce Wu	DWG NO.: 317-0000-2147	
			CHKD: ZH.Wang		
			DR: D.L Chen 8/30'12		
			SCALE	SHEET	
			N/A	1/5	
			REV.	A	

SOLIDWORKS GENERATED DRAWING. DON'T CHANGE BY HAND.

REV.	ECN. NO.	APPD.

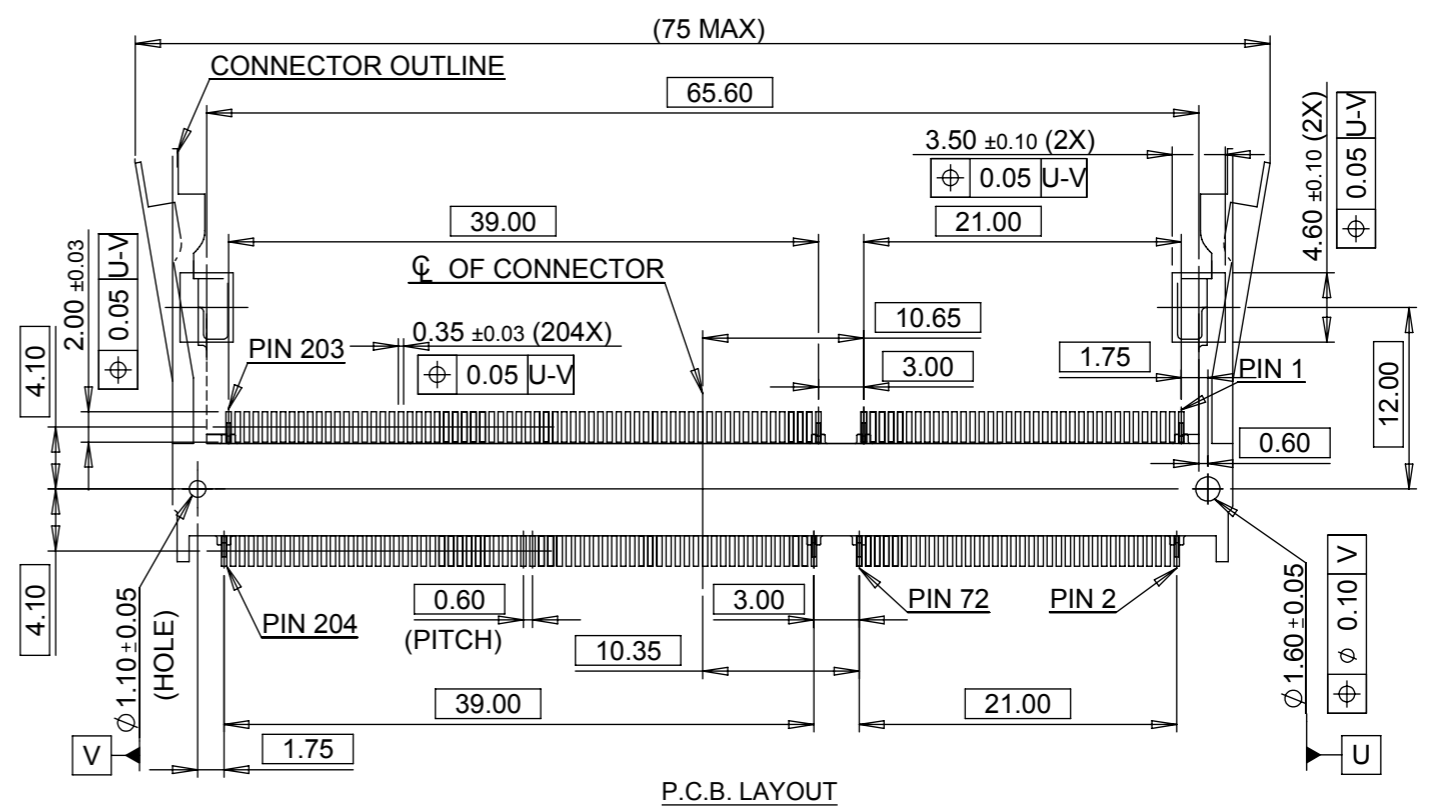
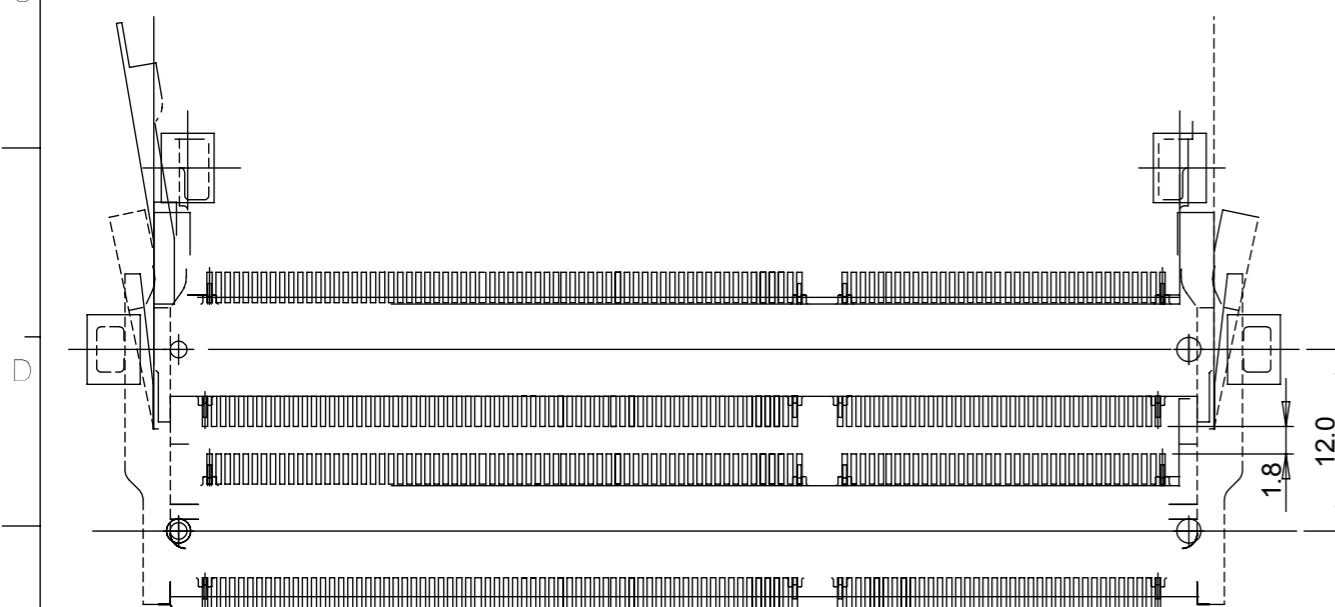
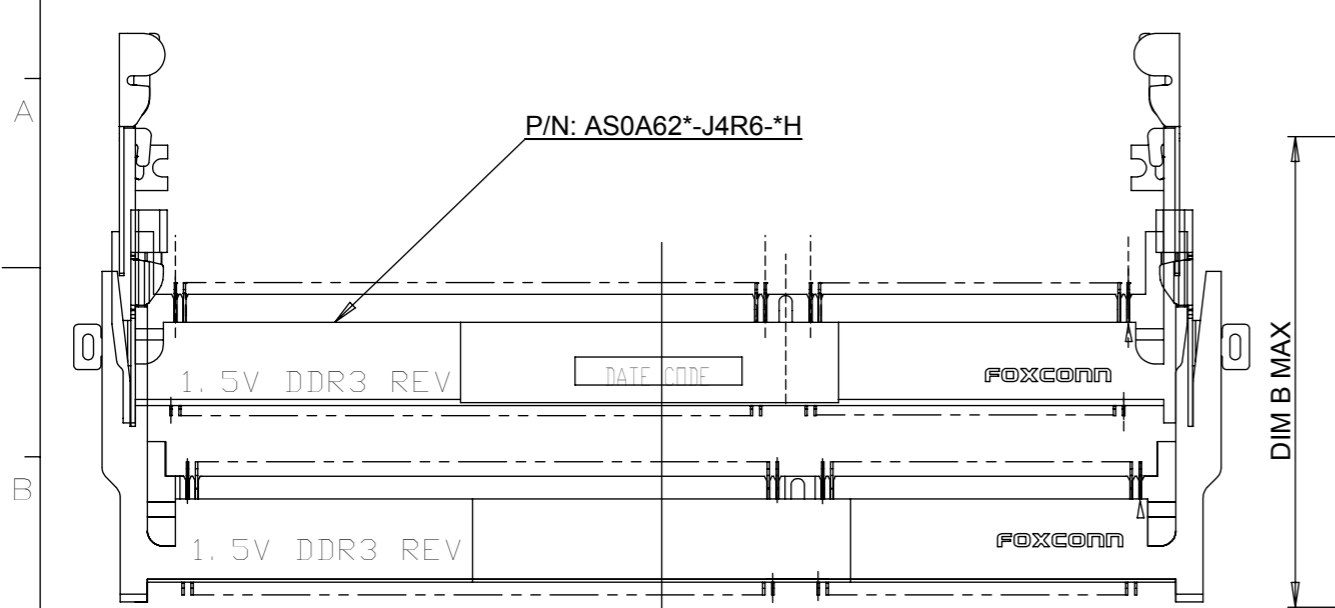


DDRIII SO-DIMM MODULE BOARD LAYOUT

SDRAM VARIATIONS	DIM A
TYPE 1	25.40
TYPE 2	31.75
TYPE 3	30.00

X. ± 0.15	X. °	UNITS mm	NAME (INTENDED USE) DDR III SO DIMM Connector	FOXCONN HON HAI PRECISION IND. CO., LTD. TAIPEI, TAIWAN, R.O.C.						
.X ± 0.10	.X °				MAT'L	PART NO. (INTENDED USE) AS0A62*-J4R6-*H				
.XX ± 0.05	.XX °	FINISH	APPD: Bruce Wu	TITLE: CUSTOMER DRAWING						
.XXX ±	.XXX °		Q'TY	CHKD: ZH.Wang	DWG NO.: 317-0000-2147					
THESE DRAWINGS AND SPECIFICATIONS ARE THE PROPERTY OF HON HAI PRECISION IND. CO., LTD. AND SHALL NOT BE REPRODUCED, COPIED OR USED IN ANY MANNER WITHOUT THE PRIOR WRITTEN CONSENT OF HON HAI PRECISION IND. CO., LTD.				DR: D.L Chen 8/30'12	<table border="1"> <tr> <td>SCALE</td> <td>SHEET</td> <td>REV.</td> </tr> <tr> <td>N/A</td> <td>2/5</td> <td>A</td> </tr> </table>	SCALE	SHEET	REV.	N/A	2/5
SCALE	SHEET	REV.								
N/A	2/5	A								

REV.	ECN. NO.	APPD.

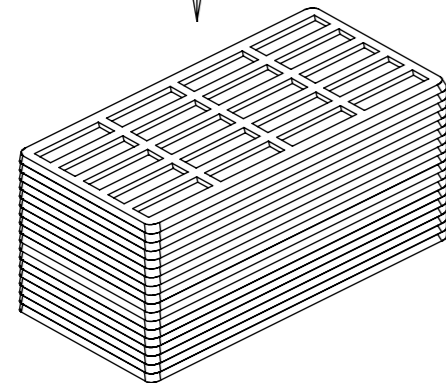
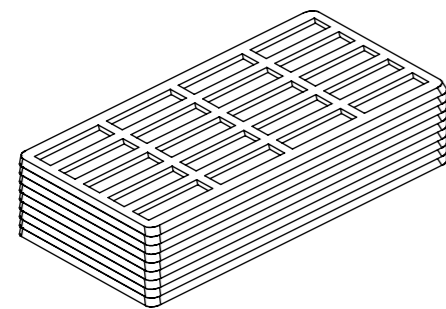
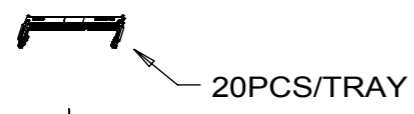
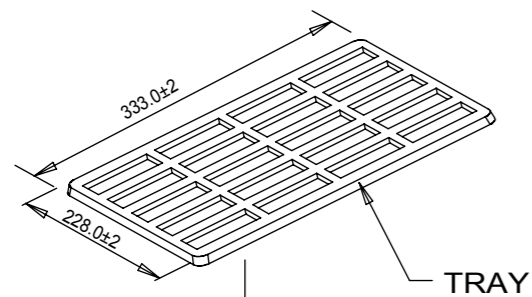


SDRAM VARIATIONS	DIM B	DIM C
TYPE 1	30.4	42.4
TYPE 2	36.7	48.7
TYPE 3	35.0	47.0

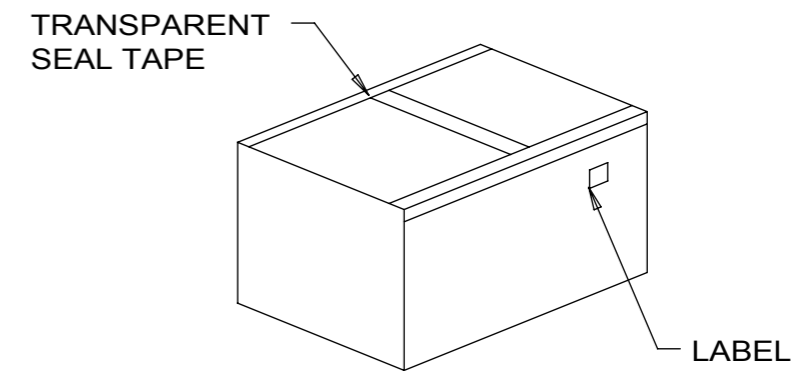
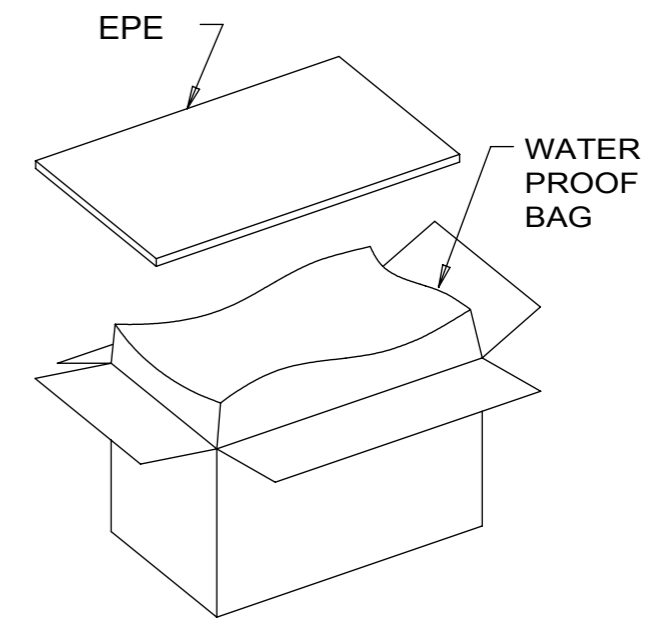
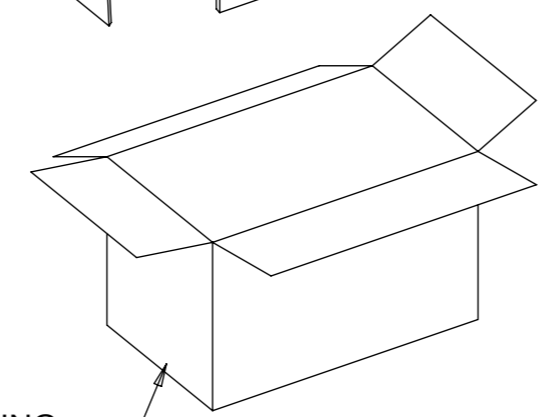
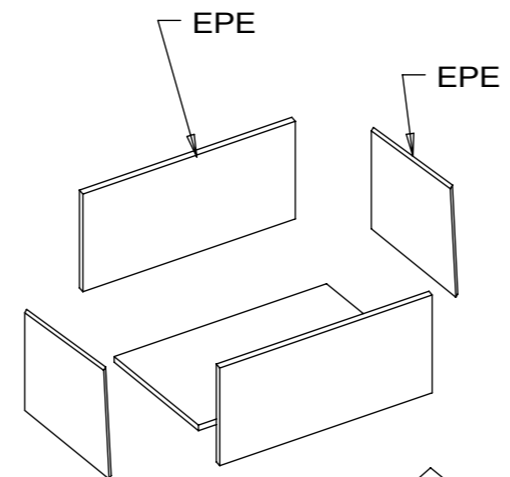
X. ± 0.15	X°. ±	UNITS mm	NAME (INTENDED USE)	FOXCONN HON HAI PRECISION IND. CO., LTD. TAIPEI, TAIWAN, R.O.C.		
.X ± 0.10	.X°. ±		DDR III SO DIMM Connector			
.XX ± 0.05	.XX°. ±	MAT'L	PART NO. (INTENDED USE)	TITLE:		
.XXX ±	.XXX°. ±		AS0A62*-J4R6-*H	CUSTOMER DRAWING		
THESE DRAWINGS AND SPECIFICATIONS ARE THE PROPERTY OF HON HAI PRECISION IND. CO., LTD. AND SHALL NOT BE REPRODUCED, COPIED OR USED IN ANY MANNER WITHOUT THE PRIOR WRITTEN CONSENT OF HON HAI PRECISION IND. CO., LTD.			APPD: Bruce Wu	DWG NO.: 317-0000-2147		
			CHKD: ZH.Wang	SCALE	SHEET	REV.
			DR: D.L Chen 8/30'12	N/A	3/5	A

SOLIDWORKS GENERATED DRAWING. DON'T CHANGE BY HAND.

REV.	ECN. NO.	APPD.



TOTAL 26 LAYERS TRAY
THE TOP TRAY IS EMPTY



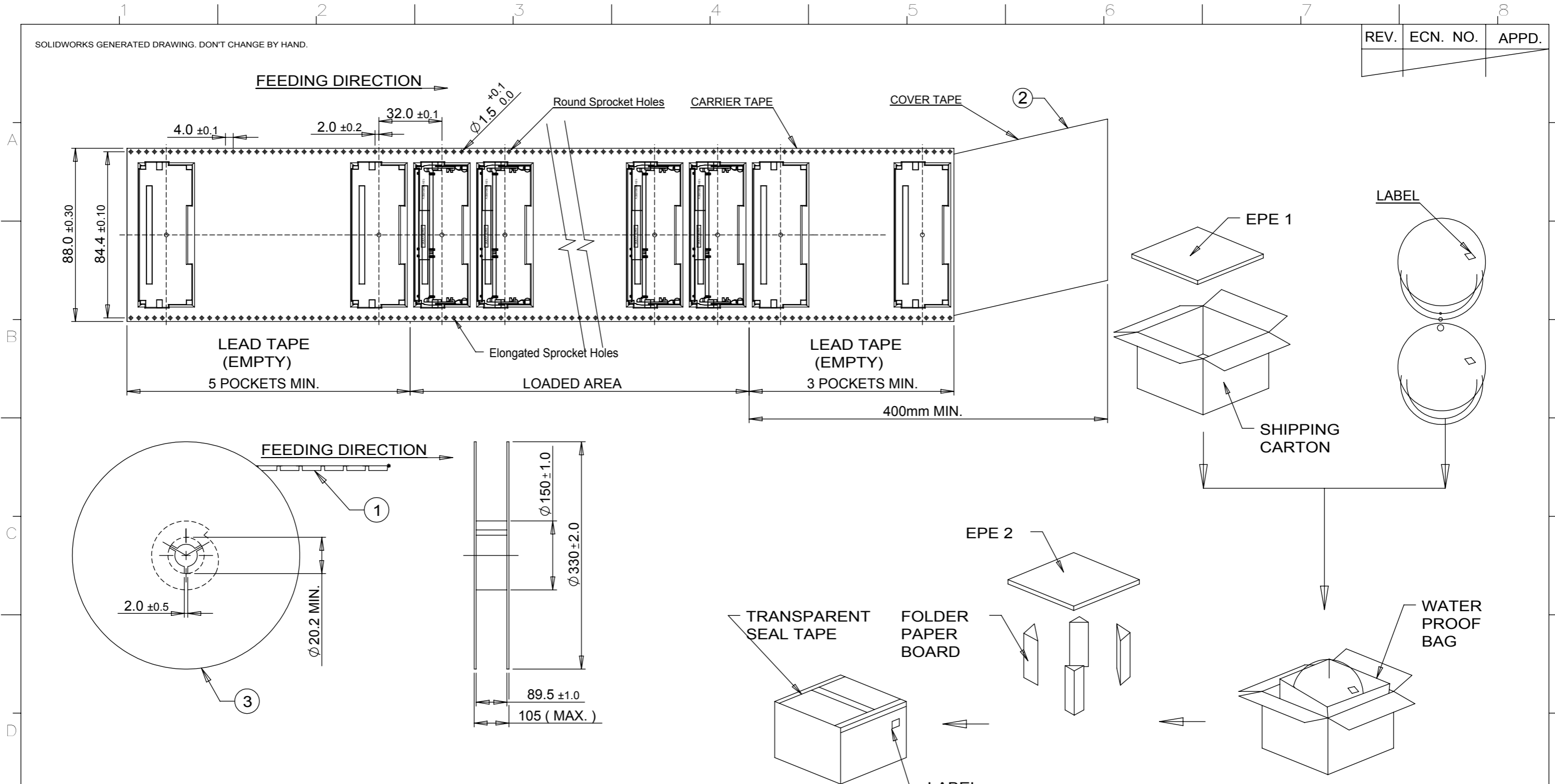
NOTES:

1. PACKING CAPACITY : 20 PCS/TRAY, 25 TRAYS/BOX, TOTAL 500 PCS/BOX.

P/N: AS0A62*-J4R6-4H

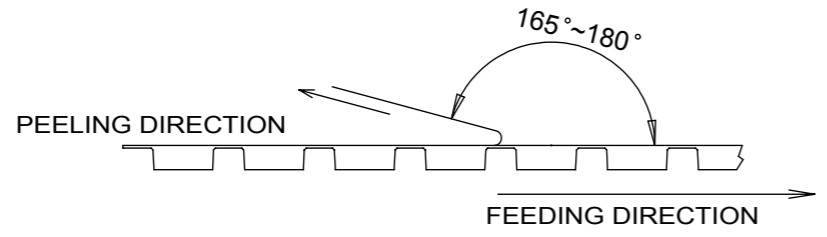
X. ± 0.15	X. °	UNITS mm	NAME (INTENDED USE)	FOXCONN HON HAI PRECISION IND. CO., LTD. TAIPEI, TAIWAN, R.O.C.	
.X ± 0.10	.X °		DDR III SO DIMM Connector		
.XX ± 0.05	.XX °	MAT'L	PART NO. (INTENDED USE)	TITLE:	
.XXX ±	.XXX °		AS0A62*-J4R6-*H	CUSTOMER DRAWING	
THESE DRAWINGS AND SPECIFICATIONS ARE THE PROPERTY OF HON HAI PRECISION IND. CO., LTD. AND SHALL NOT BE REPRODUCED, COPIED OR USED IN ANY MANNER WITHOUT THE PRIOR WRITTEN CONSENT OF HON HAI PRECISION IND. CO., LTD.		FINISH	APPD: Bruce Wu	DWG NO.: 317-0000-2147	
			Q'TY	CHKD: ZH.Wang	
			DR: D.L Chen 8/30'12		
			SCALE	SHEET	REV.
			N/A	4/5	A

REV.	ECN. NO.	APPD.



NOTES:

- 10 POCKETS HOLE PITCH CUMULATIVE TOLERANCE $\pm 0.20\text{mm}$.
- COVER TAPE PEELING STRENGTH : 0.01 kgf MIN. 0.15 kgf MAX. AT 300mm/min.



3. PACKING CAPACITY : 280 PCS/REEL, 3 REELS/BOX, TOTAL 840 PCS/BOX.

P/N: AS0A62*-J4R6-7H

③	REEL	POLYSTYRENE
②	COVER TAPE	POLYESTER
①	CARRIER TAPE	POLYSTYRENE
ITEM	DESCRIPTION	MATERIAL

X. ± 1.0	X° ±	UNITS mm	NAME (INTENDED USE) DDR III SO DIMM Connector	FOXCONN HON HAI PRECISION IND. CO.,LTD. TAIPEI, TAIWAN, R.O.C.
.X ± 0.50	.X° ±			
.XX ± 0.20	.XX° ±	FINISH	PART NO. (INTENDED USE) AS0A62*-J4R6-*H	TITLE: CUSTOMER DRAWING
.XXX ±	.XXX° ±		Q'TY	APPD: Bruce Wu
THESE DRAWINGS AND SPECIFICATIONS ARE THE PROPERTY OF HON HAI PRECISION IND. CO., LTD. AND SHALL NOT BE REPRODUCED, COPIED OR USED IN ANY MANNER WITHOUT THE PRIOR WRITTEN CONSENT OF HON HAI PRECISION IND. CO., LTD.			CHKD: ZH.Wang	SCALE: N/A SHEET: 5/5 REV: A
			DR: D.L Chen 8/30'12	