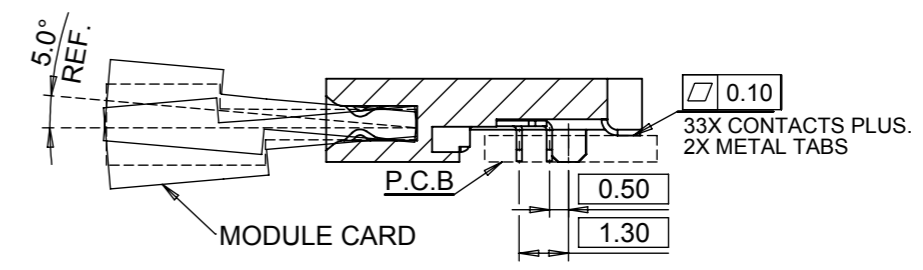
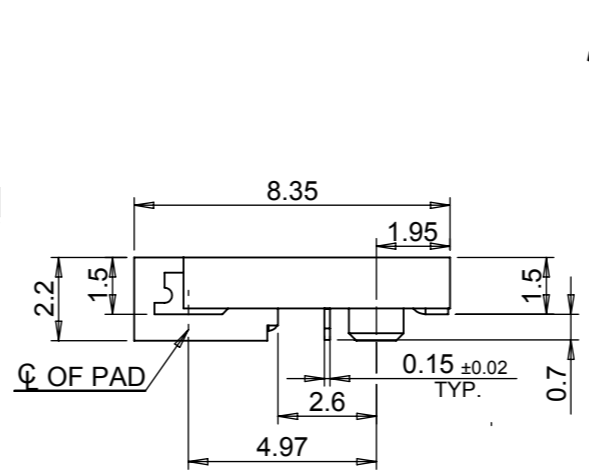
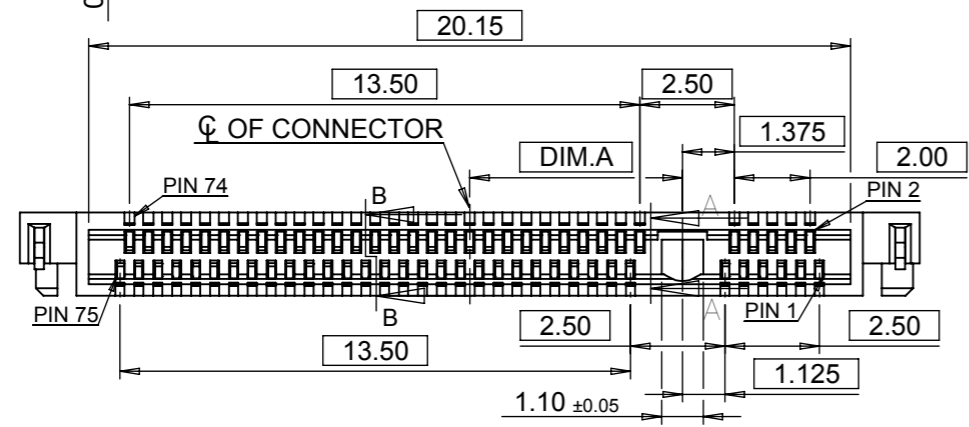
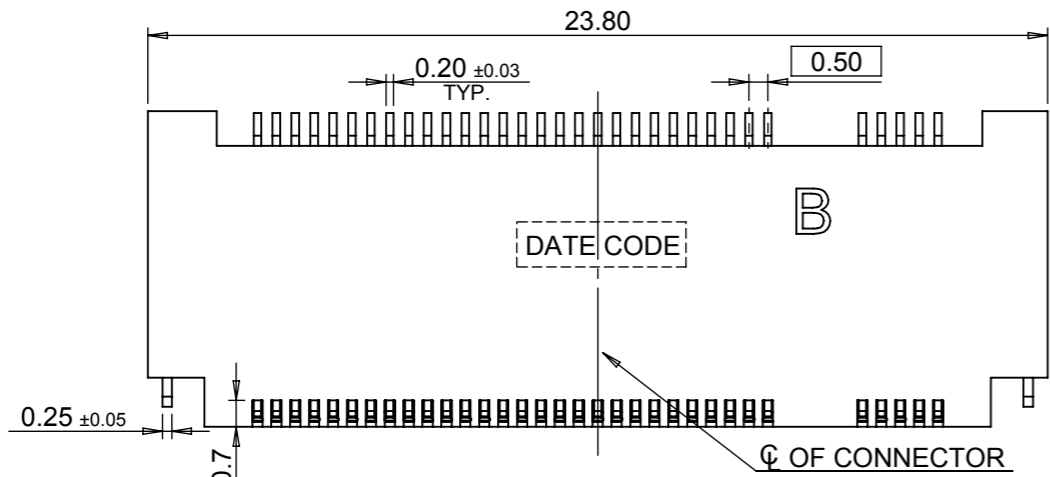


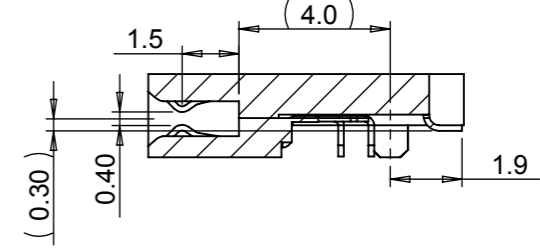
SOLIDWORK GENERATED DRAWING,DON'T CHANGE BY HAND

REV.	ECN. NO.	APPD.
A	BC-15-0021774	C.S. Li

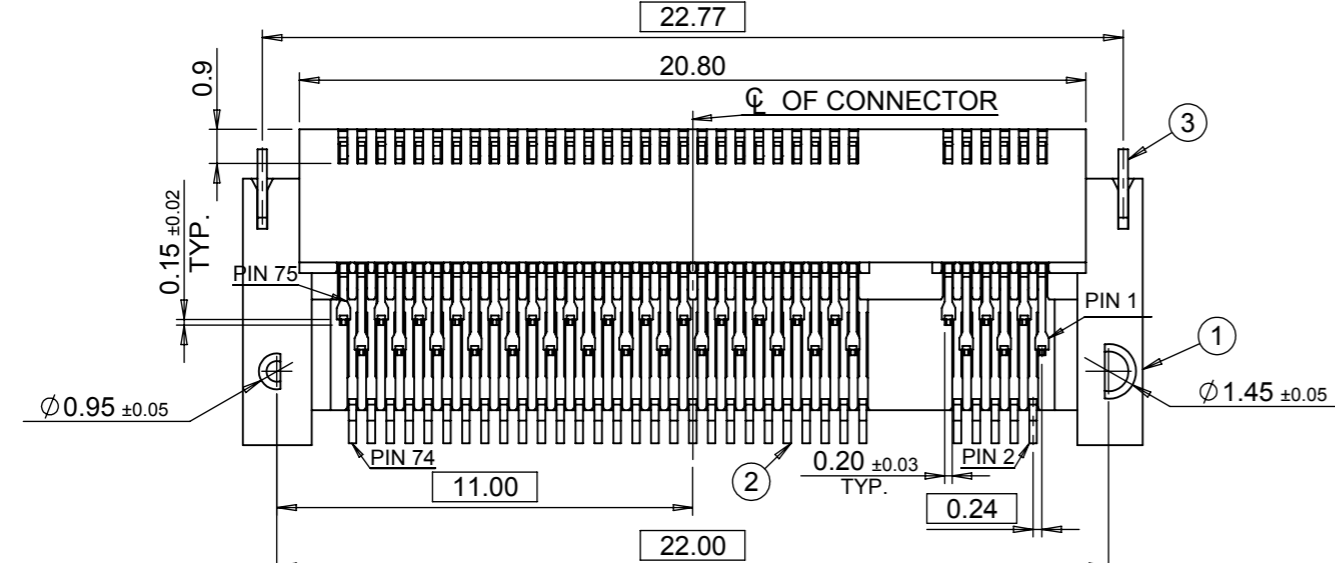
- NOTES:
- ELECTRICAL CHARACTERISTICS:
 - CONTACT CURRENT RATING: 0.5 AMPERE MAX. PER PIN.
 - VOLTAGE RATING: 50V AC.
 - INSULATION RESISTANCE :500 MEGAOHMS MIN. AT 500V DC.
 - DIELECTRIC WITHSTANDING VOLTAGE: 300V AC RMS AT 60Hz, FOR 1 MINUTE.
 - CONTACT RESISTANCE: 55 MILLIOHMS MAX.PER PIN INITIAL.
 $\Delta R=20$ MILLIOHMS MAX.PER PIN AFTER FULL ENVIRONMENT TESTING.
 - MECHANICAL CHARACTERISTICS: DURABILITY:60 MATING CYCLES.
 - OPERATION TEMPERATURE:-40°C TO +80°C.
 - RECOMMEND PROCESS CONDITION:SMT,PEAK TEMPERATURE:260°C,10~20s.
 - PLEASE CONTACT FOXCONN SALES REPRESENTATIVE TO VERIFY PRODUCT DETAIL &AVAILABILITY.



SECTION A-A



SECTION B-B



PART NO. DESCRIPTION: A S 0 BC 5 * - R 15 B B - 7 H

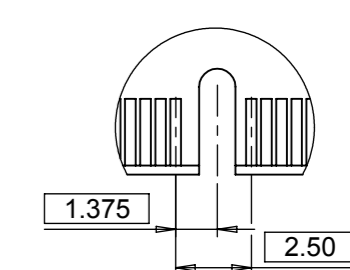
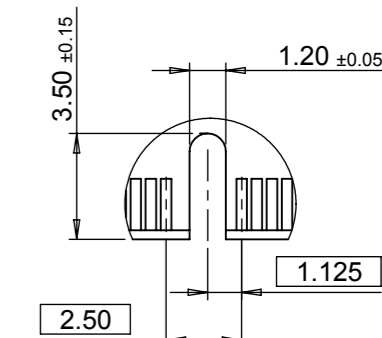
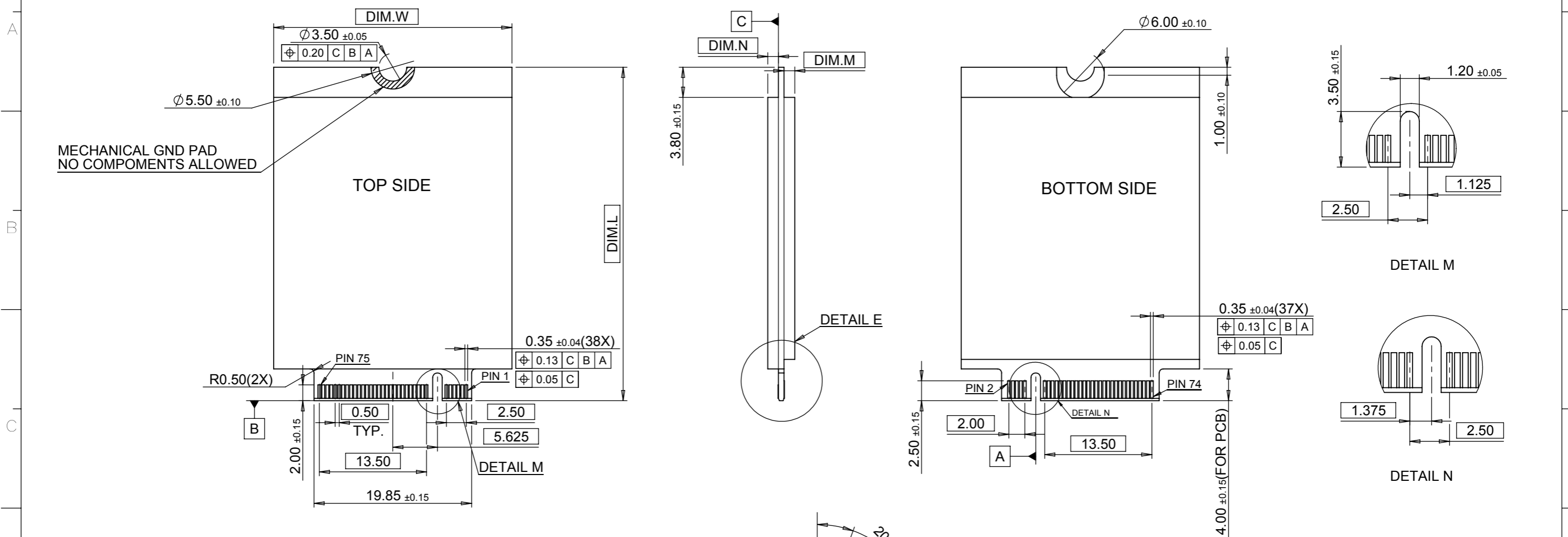
- MEMORY MODULE SOCKET
- HORIZONTAL TYPE
- SINGLE ROW
- BC=0.5P NGFF
- SMT&T/H
- CONTACT AREA PLATING
 1=GOLD FLASH
 Y=5u" GOLD PLATING
 6=10u" GOLD PLATING
 7=15u" GOLD PLATING
- H=HALOGEN FREE&LEAD FREE
- 7=TAPE&REEL
- KEY B
- B=BLACK COLOR
- 15=1.5mm HEIGHT ABOVE BOARD
- REVERSE TYPE

ITEM	DESCRIPTION	MATERIAL	Q'TY	TREATMENT
③	METAL TAB	STAINLESS STEEL	2	10u" NICKEL UNDER PLATING 100u" MATTE TIN PLATING OVER ALL
②	CONTACT	COPPER ALLOY	67	50u" NICKEL UNDER PLATING 100u" MATTE TIN PLATING AT TAIL AREA GOLD FLASH OR 5u" GOLD PLATING OR 10u" GOLD PLATING OR 15u" GOLD PLATING AT CONTACT AREA
①	HOUSING	THERMOPLASTIC	1	UL94V-0, HALOGEN FREE, BLACK COLOR

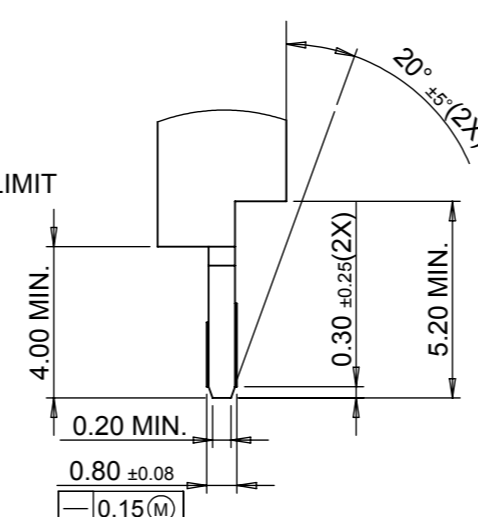
x. ± 0.30	x° ± 2°	UNITS mm	NAME (INTENDED USE) M.2(NGFF) CONNECTOR (KEY B)	FOXCONN® FOXCONN INTERCONNECT TECHNOLOGY LIMITED. CLASS: <input type="checkbox"/> CONFIDENTIAL <input type="checkbox"/> SECRET <input checked="" type="checkbox"/> GENERAL TITLE: CUSTOMER DRAWING DWG NO.: 317-0000-2515
.x ± 0.25	.x° ± 1°	MAT'L	PART NO. (INTENDED USE) AS0BC5*-R15BB-7H	
.xx ± 0.15	.xx° ±	FINISH	APPD: C.S. Li	SCALE SHEET REV. N/A 1/4 A
.xxx ±	.xxx° ±		CHKD: Alex Wang	
THESE DRAWINGS AND SPECIFICATIONS ARE THE PROPERTY OF FOXCONN INTERCONNECT TECHNOLOGY LIMITED AND SHALL NOT BE REPRODUCED, COPIED OR USED IN ANY MANNER WITHOUT THE PRIOR WRITTEN CONSENT OF FOXCONN INTERCONNECT TECHNOLOGY LIMITED.			DR: Eli Fang 5/13'15	

SOLIDWORK GENERATED DRAWING,DON'T CHANGE BY HAND

REV.	ECN. NO.	APPD.



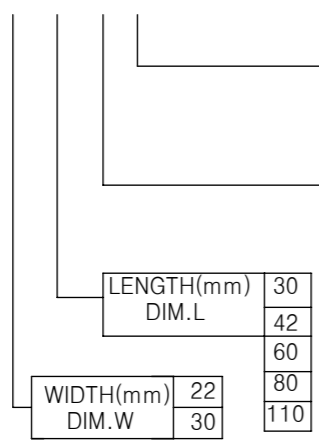
(FOR TOP SIDE COMPONENT ZONE LIMIT)



Module Nomenclature:

TYPE XX XX-XX-X

KEY ID

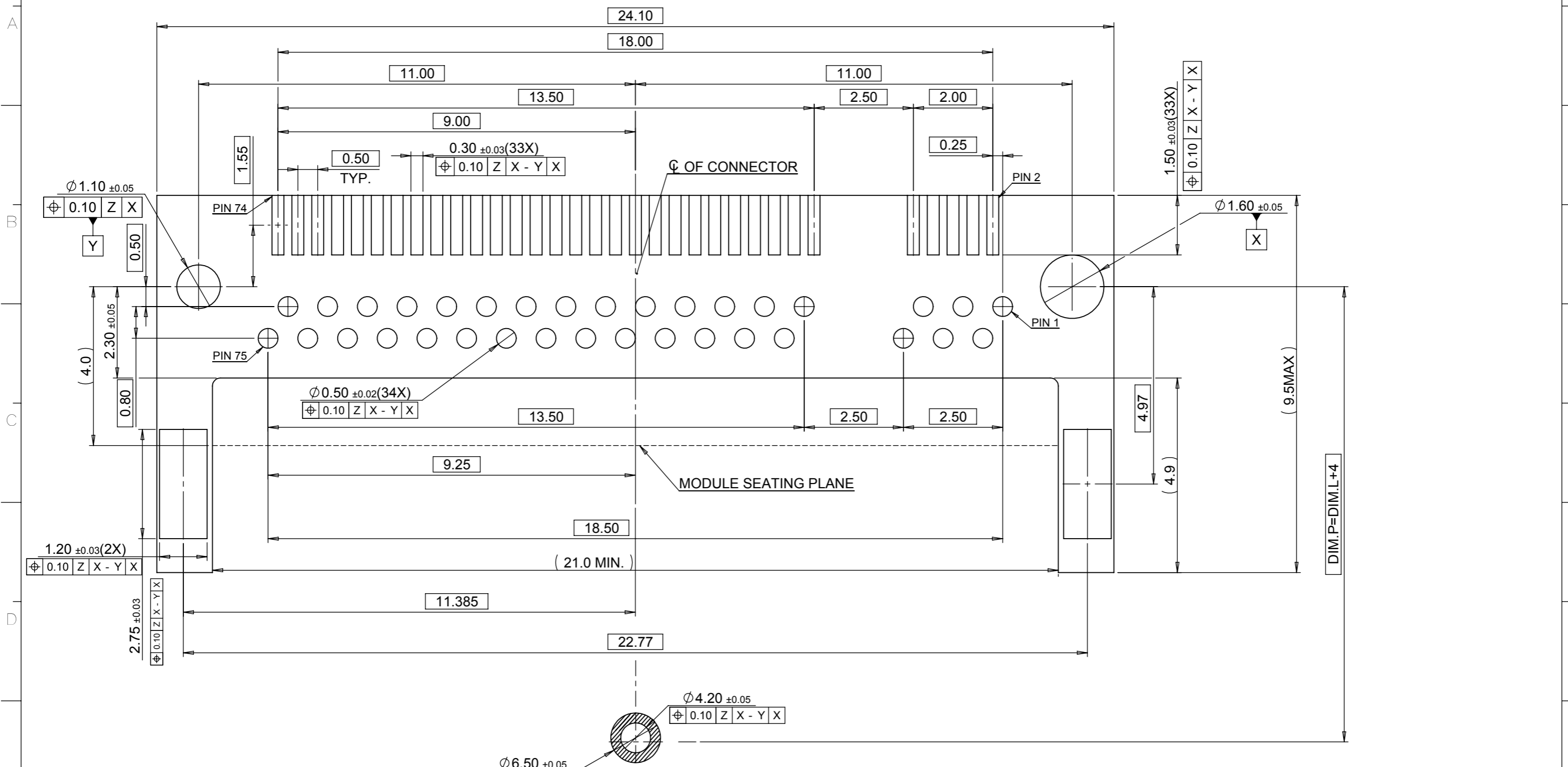


KEY ID	COMPONENT MAX HEIGHT(mm)	
	DIM.N	DIM.M
S1	1.2	0
S2	1.35	0
S3	1.5	0
D1	1.2	1.35
D2	1.35	1.35
D3	1.5	1.35
D4	1.5	0.7
D5	1.5	1.5

x. ± 0.15	x° $\pm 2^\circ$	UNITS mm	NAME(INTENDED USE) M.2(NGFF) CONNECTOR(KEY B)	FOXCONN® FOXCONN INTERCONNECT TECHNOLOGY LIMITED.
.X ± 0.10	.X° $\pm 1^\circ$	MAT'L	PART NO.(INTENDED USE) AS0BC5*-R15BB-7H	
.XX ± 0.05	.XX° \pm	FINISH	APPD: C.S. Li	CLASS: <input type="checkbox"/> CONFIDENTIAL <input type="checkbox"/> SECRET <input checked="" type="checkbox"/> GENERAL
.XXX \pm	.XXX° \pm	Q'TY	CHKD: Alex Wang	TITLE: CUSTOMER DRAWING
THESE DRAWINGS AND SPECIFICATIONS ARE THE PROPERTY OF FOXCONN INTERCONNECT TECHNOLOGY LIMITED AND SHALL NOT BE REPRODUCED, COPIED OR USED IN ANY MANNER WITHOUT THE PRIOR WRITTEN CONSENT OF FOXCONN INTERCONNECT TECHNOLOGY LIMITED.			DR: Eli Fang 5/13'15	DWG NO.: 317-0000-2515
			SCALE SHEET REV. N/A 2/4 A	

SOLIDWORK GENERATED DRAWING, DON'T CHANGE BY HAND

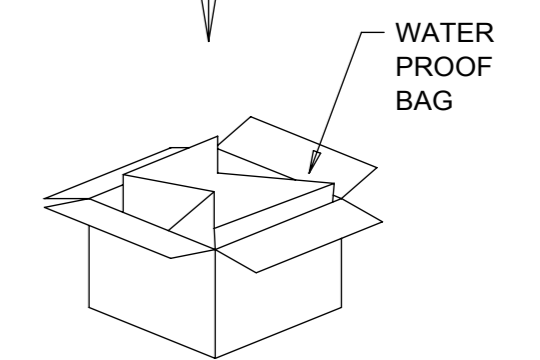
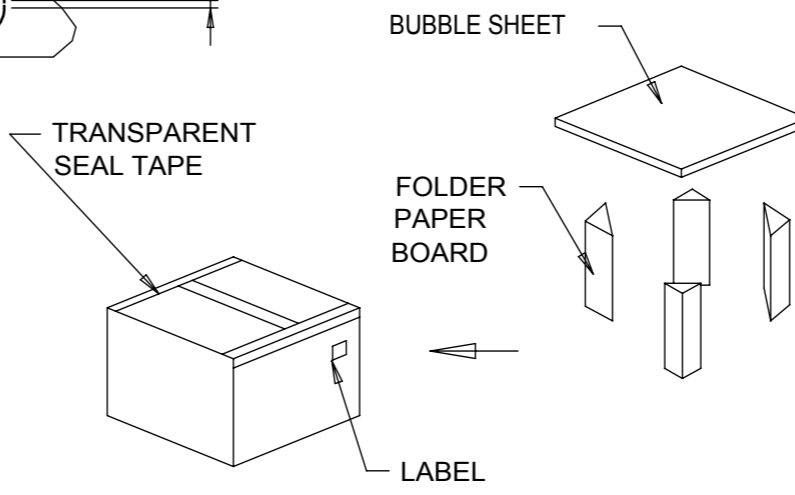
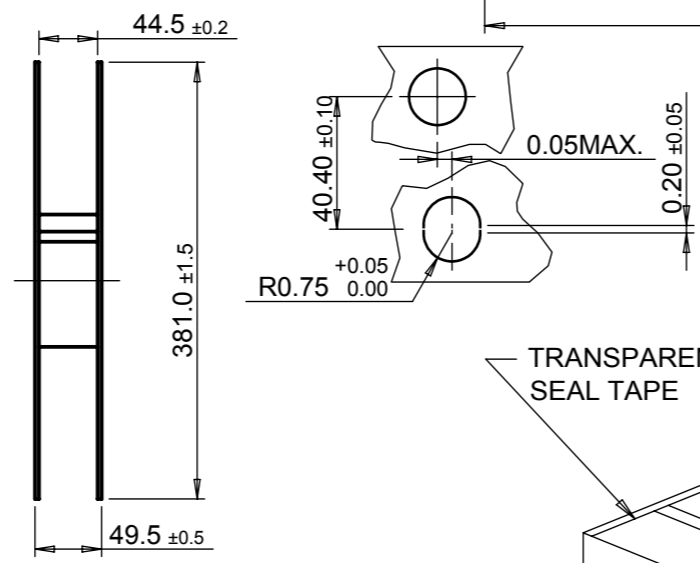
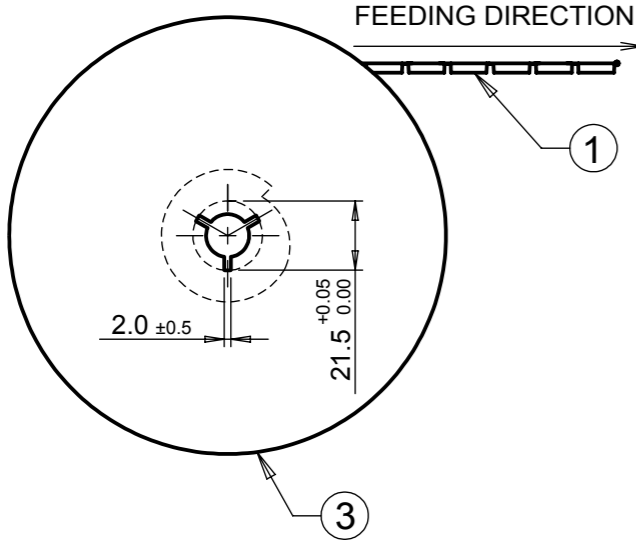
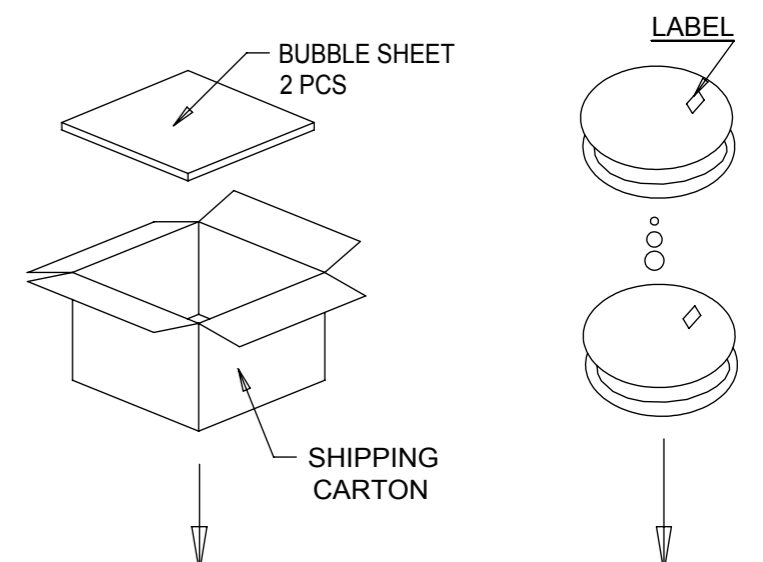
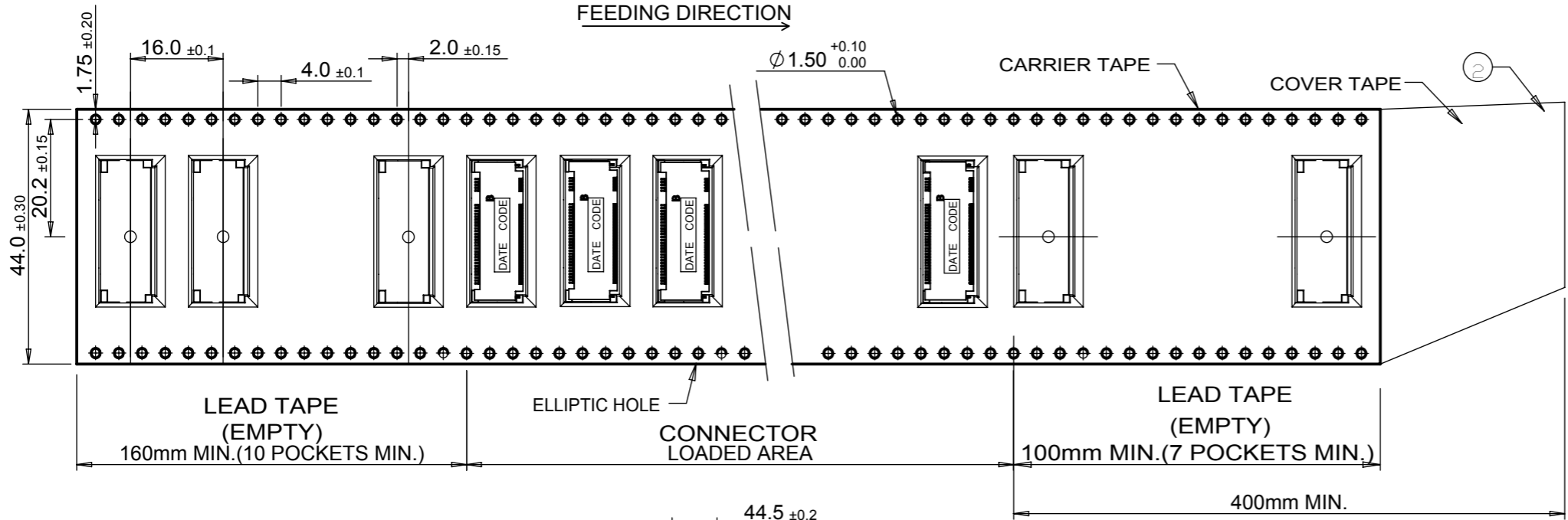
REV.	ECN. NO.	APPD.



x. ± 0.30	x° ± 2°	UNITS mm	NAME(INTENDED USE) M.2(NGFF) CONNECTOR(KEY B)	FOXCONN® FOXCONN INTERCONNECT TECHNOLOGY LIMITED.
.x ± 0.25	.x° ± 1°	MAT'L	PART NO.(INTENDED USE) AS0BC5*-R15BB-7H	
.xx ± 0.15	.xx° ±	FINISH	APPD: C.S. Li	CLASS: <input type="checkbox"/> CONFIDENTIAL <input type="checkbox"/> SECRET <input checked="" type="checkbox"/> GENERAL
.xxx ±	.xxx° ±	Q'TY	CHKD: Alex Wang	TITLE: CUSTOMER DRAWING
THESE DRAWINGS AND SPECIFICATIONS ARE THE PROPERTY OF FOXCONN INTERCONNECT TECHNOLOGY LIMITED AND SHALL NOT BE REPRODUCED, COPIED OR USED IN ANY MANNER WITHOUT THE PRIOR WRITTEN CONSENT OF FOXCONN INTERCONNECT TECHNOLOGY LIMITED.			DR: Eli Fang 5/13'15	DWG NO.: 317-0000-2515

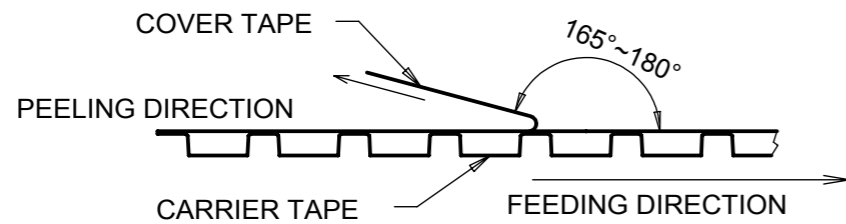
SOLIDWORK GENERATED DRAWING, DON'T CHANGE BY HAND

REV.	ECN. NO.	APPD.



NOTES:

- COVER TAPE PEELING STRENGTH : 0.01 kgf MIN & 0.13 kgf MAX. AT 300mm/min.
- 10 POCKETS HOLE PITCH CUMULATIVE TOLERANCE ±0.20mm.



③	REEL	POLYSTYRENE
②	COVER TAPE	POLYESTER
①	CARRIER TAPE	POLYSTYRENE
ITEM	DESCRIPTION	MATERIAL

x. ± 0.30	x° ± 2°	UNITS mm	NAME(INTENDED USE) M.2(NGFF) CONNECTOR(KEY B)	FOXCONN® FOXCONN INTERCONNECT TECHNOLOGY LIMITED.
.x ± 0.25	.x° ± 1°	MAT'L		
.xx ± 0.15	.xx° ±	FINISH	PART NO.(INTENDED USE) AS0BC5*-R15BB-7H	CLASS: <input type="checkbox"/> CONFIDENTIAL <input type="checkbox"/> SECRET <input checked="" type="checkbox"/> GENERAL
.xxx ±	.xxx° ±		APPD: C.S. Li	TITLE: CUSTOMER DRAWING
THESE DRAWINGS AND SPECIFICATIONS ARE THE PROPERTY OF FOXCONN INTERCONNECT TECHNOLOGY LIMITED AND SHALL NOT BE REPRODUCED, COPIED OR USED IN ANY MANNER WITHOUT THE PRIOR WRITTEN CONSENT OF FOXCONN INTERCONNECT TECHNOLOGY LIMITED.			Q'TY	DWG NO.: 317-0000-2515
			CHKD: Alex Wang	SCALE SHEET REV. N/A 4/4 A
AS0BC5*-R15BB-7H			DR: Eli Fang 5/13'15	
P/N	PCS/REEL	REEL/BOX	PCS/BOX	

AS0BC5*-R15BB-7H	1700	5	8500
P/N	PCS/REEL	REEL/BOX	PCS/BOX