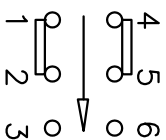
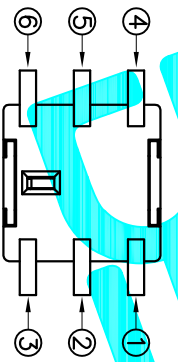
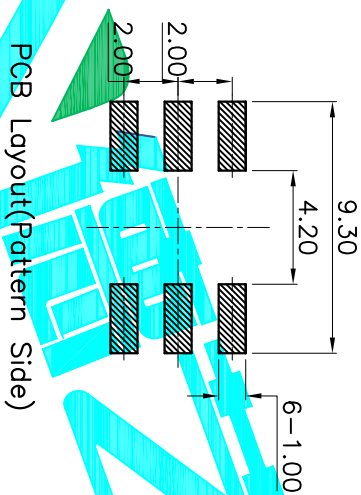
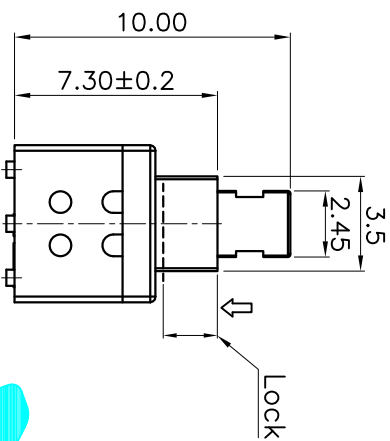
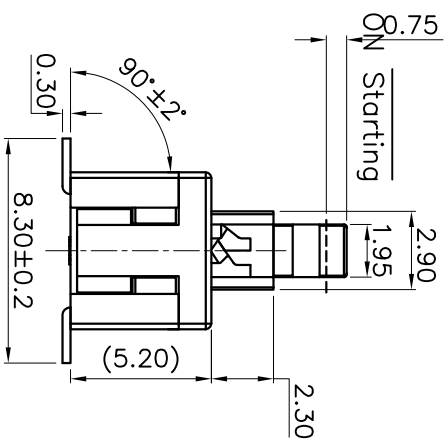
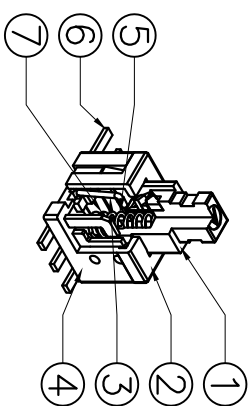


NOTE:
1. Operating Force: 180gf±50gf



Circuit Diagram

ECN NO.	REV.	DATE.	DESCRIPTION.	CHANGE.	CHECK.	APPRO.
	A		NEW			

ITEM	PART NAME	QTY.	MATERIAL	FINISHING
⑦	Contact	2	Phosphor bronze	Plating silver
⑥	Terminal	6	Brass strip	Plating silver
⑤	Spring	1	SUS	Natural
④	Base	1	Nylon	Gray
③	Crochet Needle	1	SUS	Natural
②	Cover	1	POM	Black
①	Knob	1	POM	White

APPROVALS		DATE	TITLE:	
DRAWN	G.M.Chen	2015/4/16	PUSH SWITCH	
CHECKED			PART NO. PB-22E62	
APPROVALS			SHEET 1 OF 1	

TOLERANCES ARE		SCALE: 1:1	DRAWING NO.	
30 ^{±0.1}	±0.30			
10 ^{±0.10}	±0.20			
5 ^{±0.10}	±0.15			
~ 5	±0.10		PROJ.	