

● Part Numbering

Coaxial Connectors (Chip Type Receptacle)

(Part Number)

MM	7329	-27	00	R	A1
----	------	-----	----	---	----

① ② ③ ④ ⑤ ⑥

① Product ID

Product ID	
MM	Microwave Coaxial Connectors (Chip Type Receptacle)

② Series

Code	Series
3325	BFA Type Straight
3326	BFA Type Right Angle
4829	HSC Type
7329	FSC Type
8430	SWD Type
9329	GSC Type

③ Individual Specification Code (1)

Code	Individual Specification Code (1)
-25	Discrete Terminal
-26	Switch Connector SMD Type
-27	Connector SMD Type

④ Individual Specification Code (2)

Code	Individual Specification Code (2)
00	Serial

⑤ Package Product ID

Code	Package Product ID
B	Bulk
R	Reel

⑥ Package Detail

Code	Package Detail
A1	FSC, SWD, GSC Type 1000pcs. /Reel (ø178mm)
A4	HSC Type, 4000pcs. /Reel (ø178mm)
B0	HSC Type, 10000pcs. /Reel (ø330mm)
B3	SWD Type, 3000pcs. /Reel (ø330mm)
B4	FSC Type, 4000pcs. /Reel (ø330mm)
B5	GSC Type, 5000pcs. /Reel (ø330mm)

Coaxial Connectors (with Cable)

(Part Number)

MX	FG	76			
----	----	----	--	--	--

① ② ③ ④ ⑤ ⑥

① Product ID

Product ID	
MX	Coaxial Connectors (with Cable)

② Connector (1)

Code	Connector (1)
FG	FSC Type for 76 Cable
FK	FSC Type for 81 Cable
HK	HSC Type
TK	GSC Type
YH	BFA Type

③ Cable

Code	Cable
62	0.8D, PE, Double Shield Line
63	0.8D, PE, Single Shield Line
75	0.8D, FEP, Double Shield Line
76	0.8D, FEP, Single Shield Line
81	0.4D, FEP, Single Shield Line
88	0.4D, PFA, Single Shield Line, Single Line
92	0.4D, PFA, Single Shield Line, Spiral
98	0.4D, PFA, Single Shield Line, Spiral

④ Connector (2)

Code	Connector (2)
FG	FSC Type for 76 Cable
FK	FSC Type for 81 Cable
HK	HSC Type
TK	GSC Type
YH	BFA Type
XX	None Connector

⑤ Length

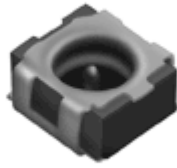
Expressed by four figures. The unit is mm. From first to third figures are significant, and the fourth figure expresses the number of zeros which follow the three figures.

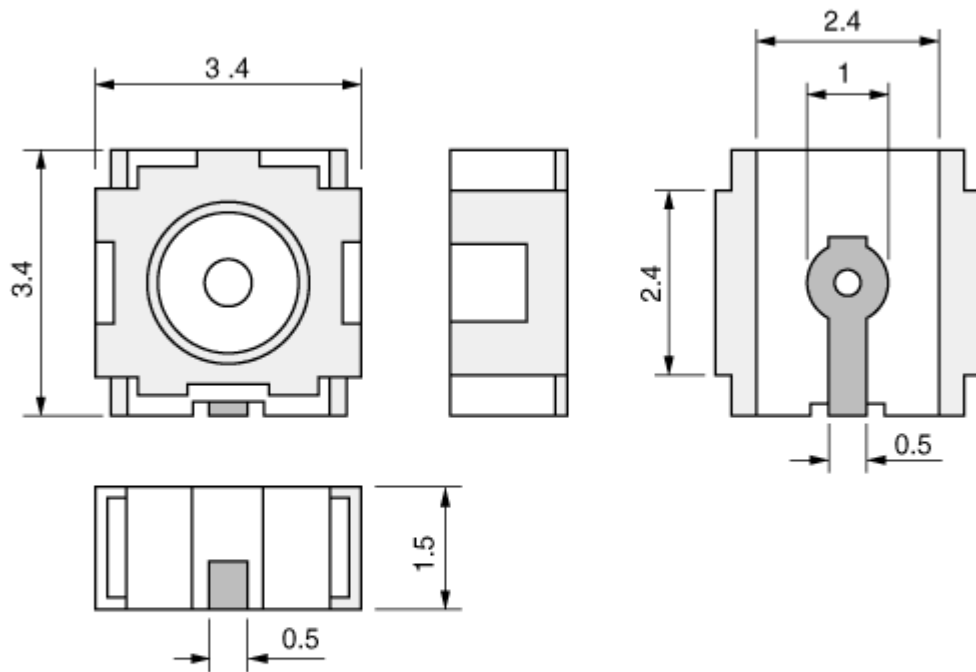
Ex.)

Code	Length
5000	500mm = 500 x 10 ⁰
1001	1000mm = 100 x 10 ¹

⑥ Individual Specification Code

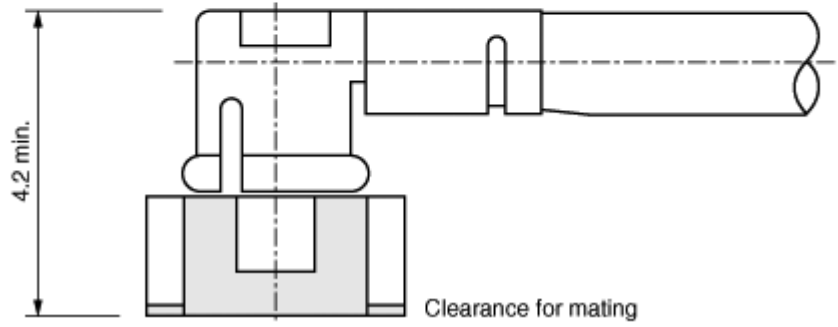
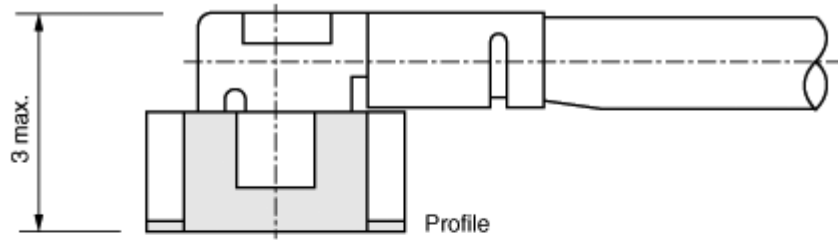
Expressed by two sign.





- Hot Terminal
- Ground Terminal

Tolerances Unless
 Otherwise Specified: ± 0.2 (in mm)



(in mm)