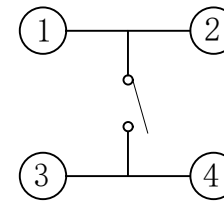
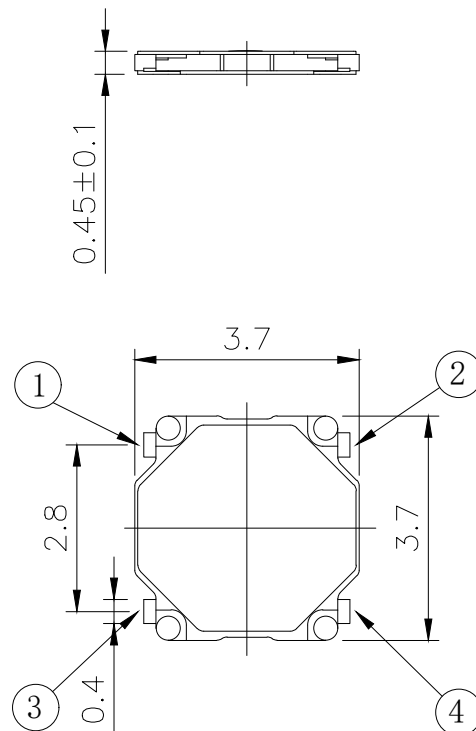
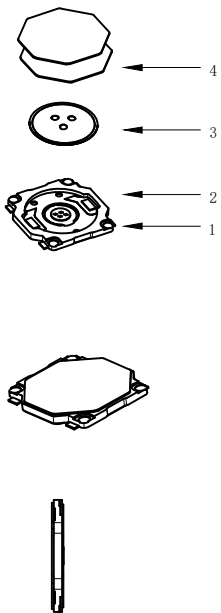


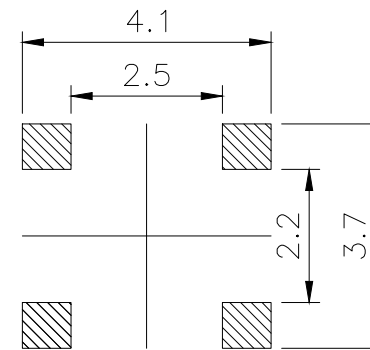
RoHS

CAD GENERATED DRAWING. DON'T CHANGE BY HAND.

REV.	ECN. NO.	APPD.



CIRCUIT DIAGRAM



PCB. WELDING DRAWING

Specification

Operating Life	100,000
Contact rating	50mA@12V DC.
Insulation resistance	1011 Ω min.
Contact resistance	100mΩ max. initial.
Dielectric Strength	250 V AC(1mm)
Travel	0.35 ± 0.15mm
Storage Temperature	- 30° C to 85° C

Packaging:
Reel of 10,000 pieces.

Mechanical

C	DOME	Stainless Steel	1	Plated Ag
B	HOUSING	LCP	1	Gray
A	PIN	Phosphor copper	1	Plated Ag
ITEM	DESCRIPTION	MATERIAL	QTY	FINISH/COLOR

PN	Operatin g Force (gf)	Heiht mm
YTS1T0051AG00	120 ± 50	0.45
YTS1T0052AG00	180 ± 50	0.45
YTS1T0053AG00	250 ± 50	0.45
YTS1T0054AG00	300 ± 50	0.45

X. ± 0.50	X. ° ± 2°	UNITS mm
.X ± 0.30	.X° ± 1°	
.XX ± 0.10	.XX° ± 0.5°	MAT'L
.XXX ± 0.05		FINISH
		Q' TY

THESE DRAWINGS AND SPECIFICATIONS ARE THE PROPERTY OF YIYUAN TECHNOLOGY CO.,LTD AND SHALL NOT BE REPRODUCED, COPIED OR USED IN ANY MANNER WITHOUT THE PRIOR WRITTEN CONSENT OF YIYUAN TECHNOLOGY CO.,LTD



深圳市怡远科技有限公司
SHENZHEN YIYUAN TECHNOLOGY CO., LTD

PART NO.
YTS1T005

TITLE:
TACTILE SWITCH

APPD: ROGER

DWG NO. :
YTS1T005

CHKD: ROC

DR: BILLY WANG 2020/08/21

	SCALE	SHEET	REV.
	1/1	1/1	A1