

ROHS compliant

REV.	ECN NO.	DRAWN	DATE

NOTES:

1.Specification:

- 1>. Operation force: 1000gf Max.
- 2>. Operation Temperature: -30 °C to +85°C.
- 3>. Storage Temperature: -40 °C to +85°C.
- 4>. Mechanical Life: 1000 cycles operations.
- 5>. Resistance to Soldering: 260 ±5°C for 3-5 Seconds.

2.PLATING:

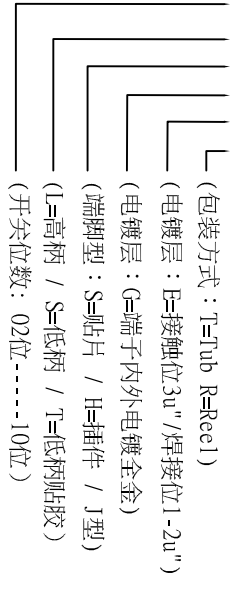
- 1>. GOLD Flash 1u" (min) SOLDERTAIL, 3u" GOLD PLATING ON THE CONTACT AREA.

3.ELECTRICAL:

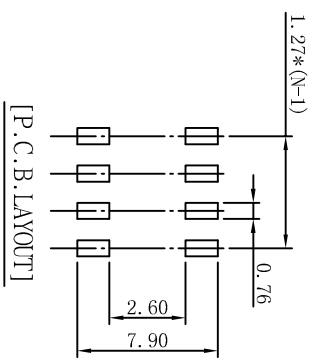
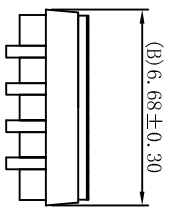
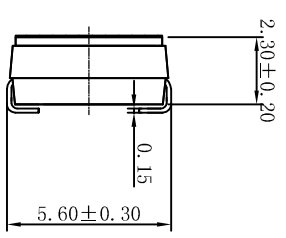
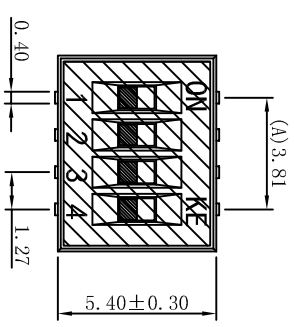
- 1>. Non-switch Rating:100mA at 50V DC.
- 2>. Switching Rating: 25mA at 24V DC.
- 3>. Contact Resistance: Initial 50mΩ Max. Contact Resistance: After life 100mΩ Max.
- 4>. Insulation Resistance:100MΩ Min at 100VDC.
- 5>. Dielectric Strength: 300V AC for 60seconds.
- 6>. Switch Capacitance: 5PF Max at 1MHZ.

4.PART NUMBER DESCRIPTION:

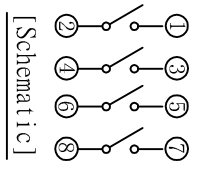
DSHP XX T S G E R



5.PACKING: 2000pcs/Reel/Box.



[P.C.B.LAYOUT]



[Schematic]

东莞市康深电子科技有限公司
Kongshen Electronics technology co., LTD.

Drawing	dengkg	Date	2017.03.24	LINER	ANGLES	PRODUCT Family	DSHP Series Pitch 1.27mm
Check	zhong	Scale	4:1	>0±0.05	>0° ±0.5°	PRAT NO.	DSHP04TJGER
Approved		Unit	MM	>1±0.10	>5° ±1.0°	FILE NO.	DSHP-004-J-A
Size	A4	Rev.	A	>10±0.30		PROJECTION	