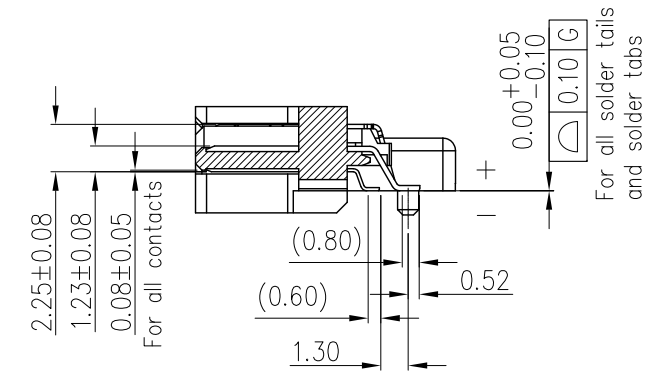
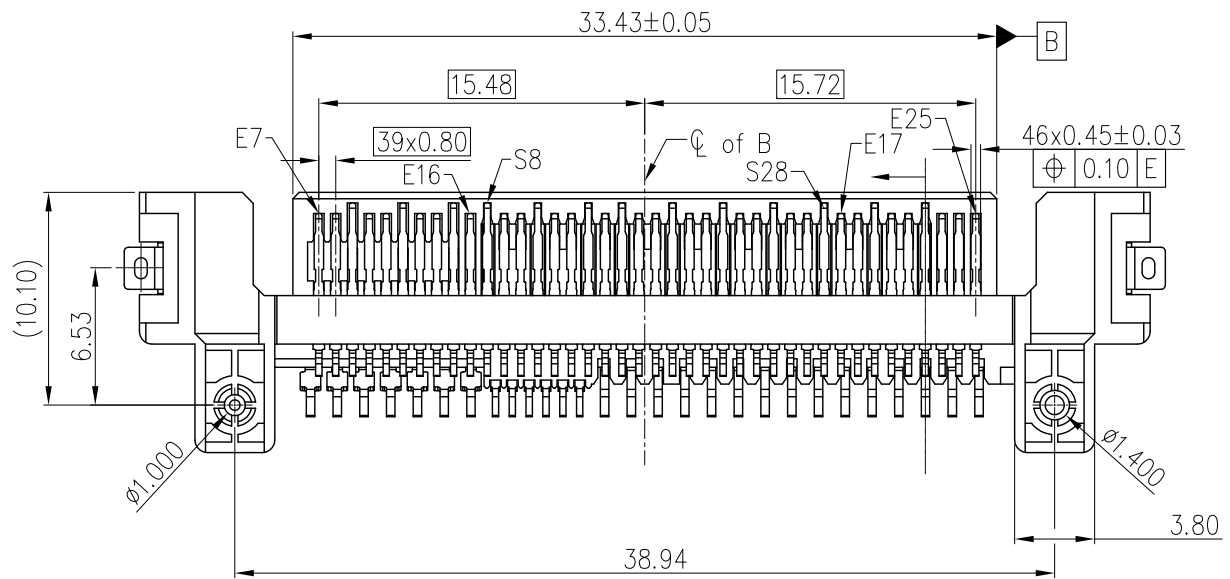
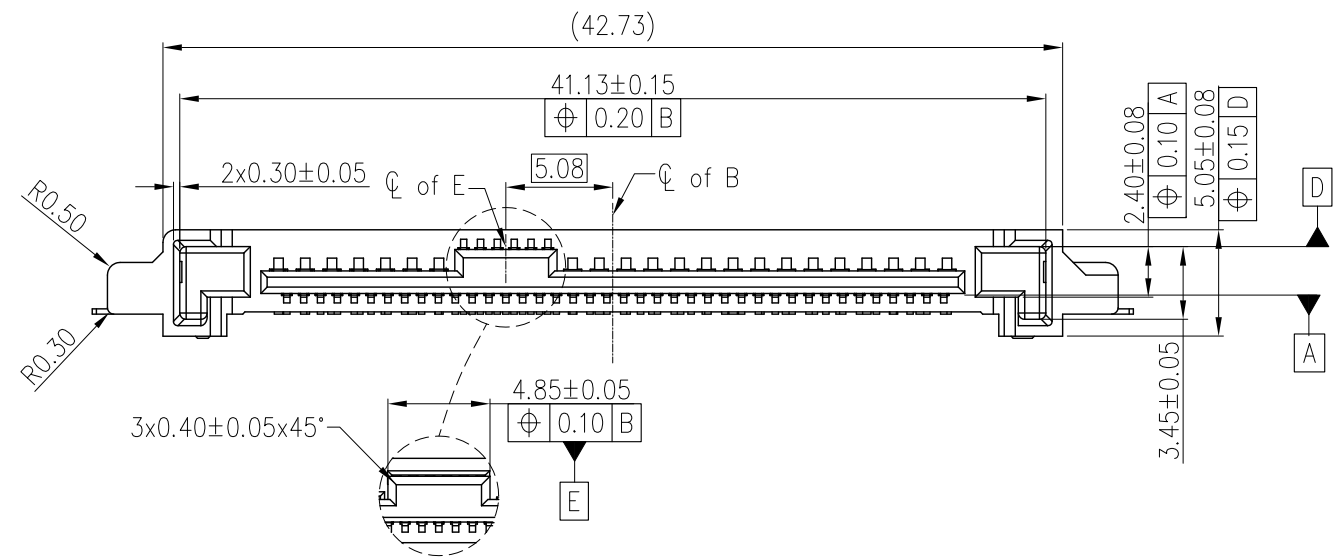
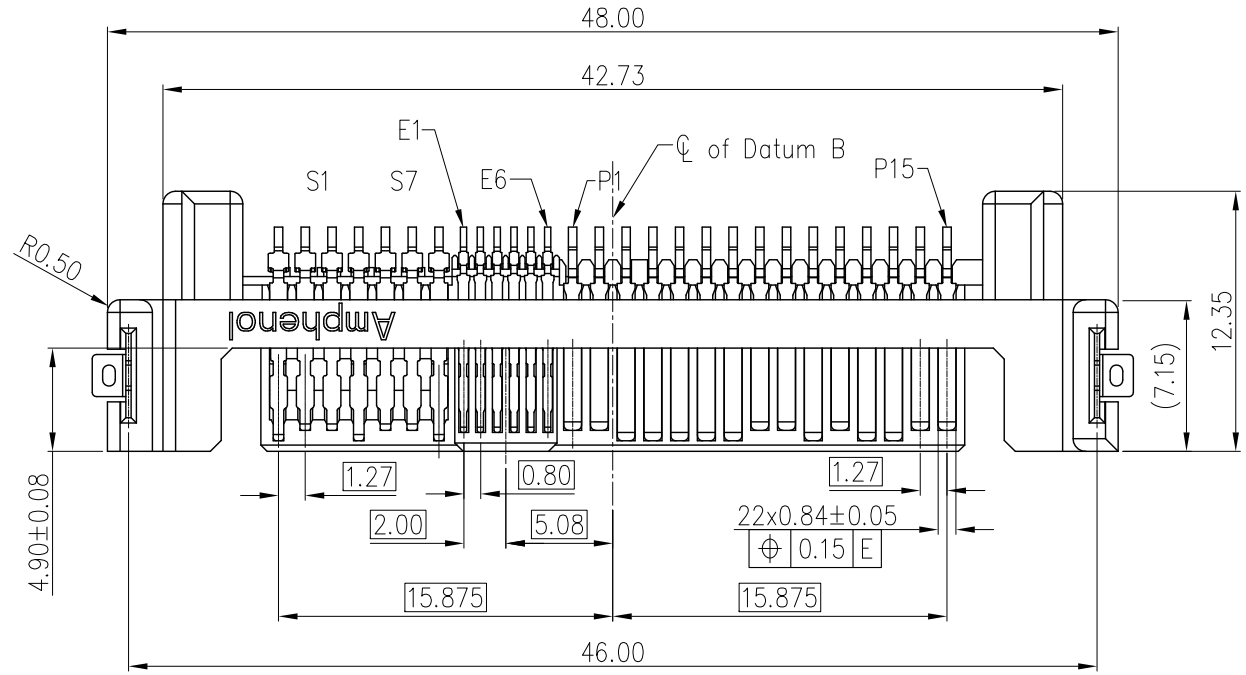
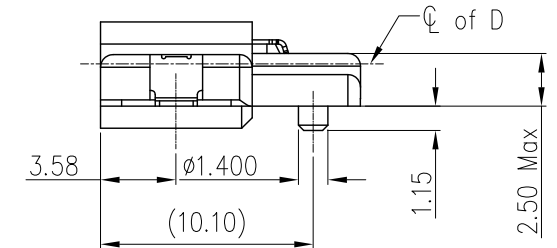


This document is the property of Amphenol Corporation and is delivered on the express condition that it is not to be disclosed, reproduced or used, in whole or in part, for manufacture or sale by anyone other than Amphenol Corporation without its prior consent, & that no right is granted to disclose or to use any information in this document.

REVISIONS				
SYM	ECN	DESCRIPTION	DATE	APPROVED
1	HK----	FIRST RELEASE	11/02/17	IP



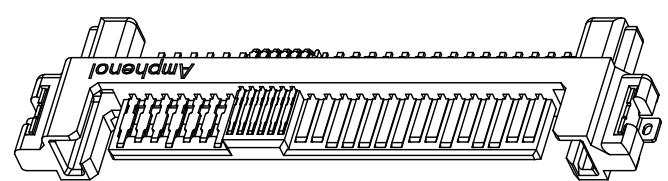
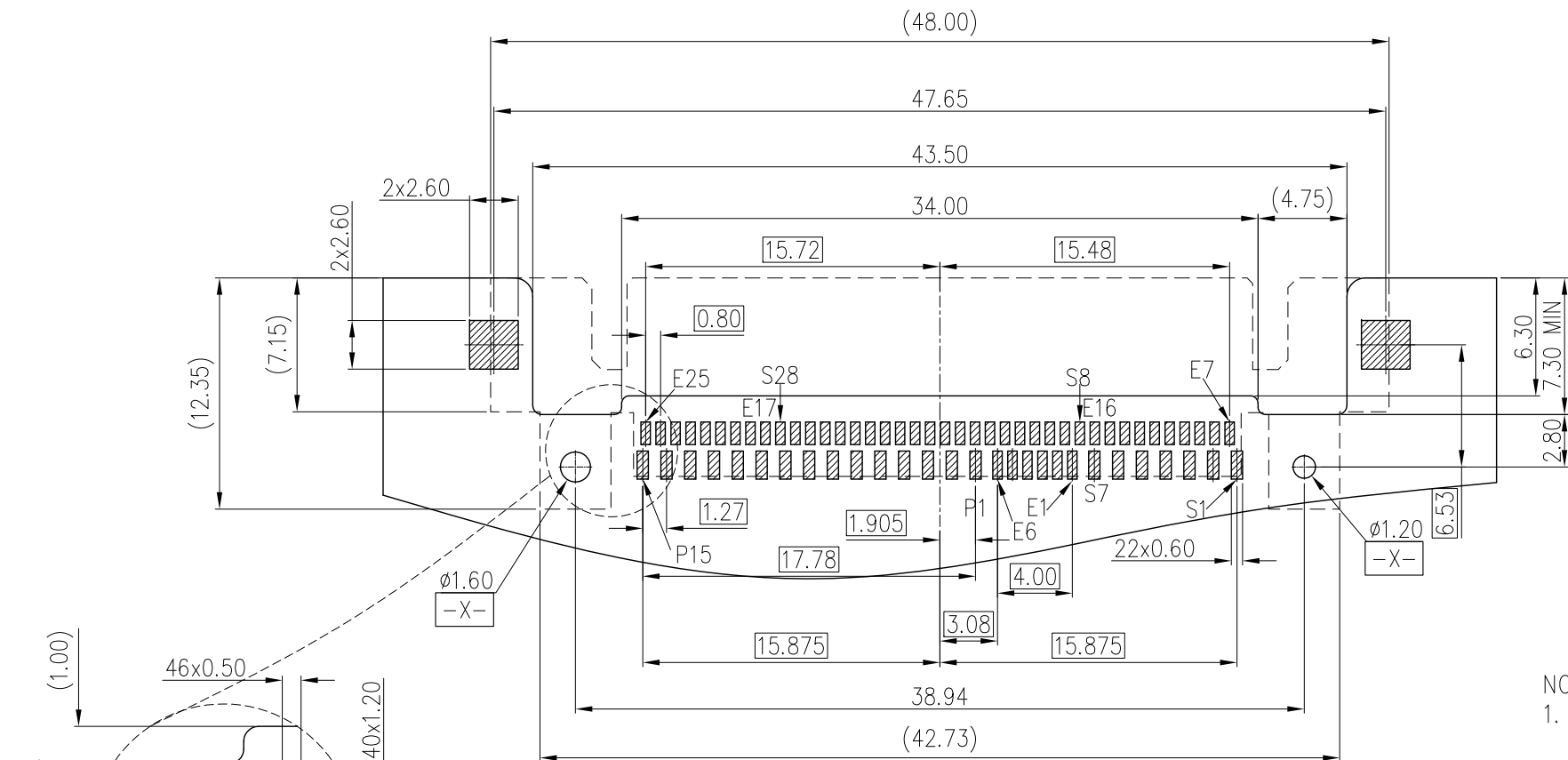
SECTION A-A



UNLESS OTHERWISE SPECIFIED TOLERANCES U.S. METRIC .X +/- 0.50 .XX +/- 0.25 .XXX +/- 0.20 FRACTIONS +/- ANGLES +/- 3° FOR MATERIALS AND FINISHES SEE NOTES REMOVE SHARP EDGES DIMENSIONS U.S. INCHES (METRIC) (MM)	APPROVAL	DATE	Amphenol Amphenol East Asia Limited
	DRAWN: Evan.Dai	11/02/17	
	CHECKED		TITLE
	CHECKED		Customer Drawing For
	DRAWING FILE :	PE MASTER\DRAWING\PSAS\PSAS4M213002XXX-1	16G PCIe/SAS R/A SMT Plug Connector
	ANGLE OF PROJECTION		SIZE DRAWING NO. REV.
			A3 PSAS4M213002XXX 1
			SCALE NONE SHEET 1 OF 3

This document is the property of Amphenol Corporation and is delivered on the express condition that it is not to be disclosed, reproduced or used, in whole or in part, for manufacture or sale by anyone other than Amphenol Corporation without its prior consent, & that no right is granted to disclose or to use any information in this document.

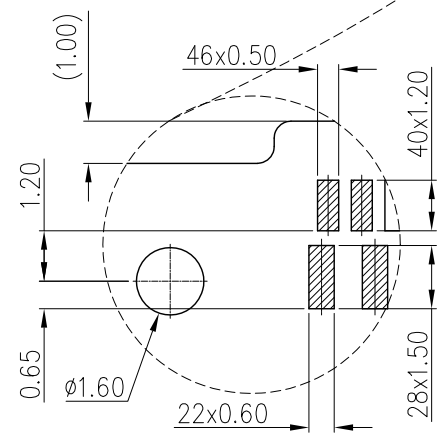
REVISIONS				
SYM	ECN	DESCRIPTION	DATE	APPROVED
		REFER TO SHEET 1		



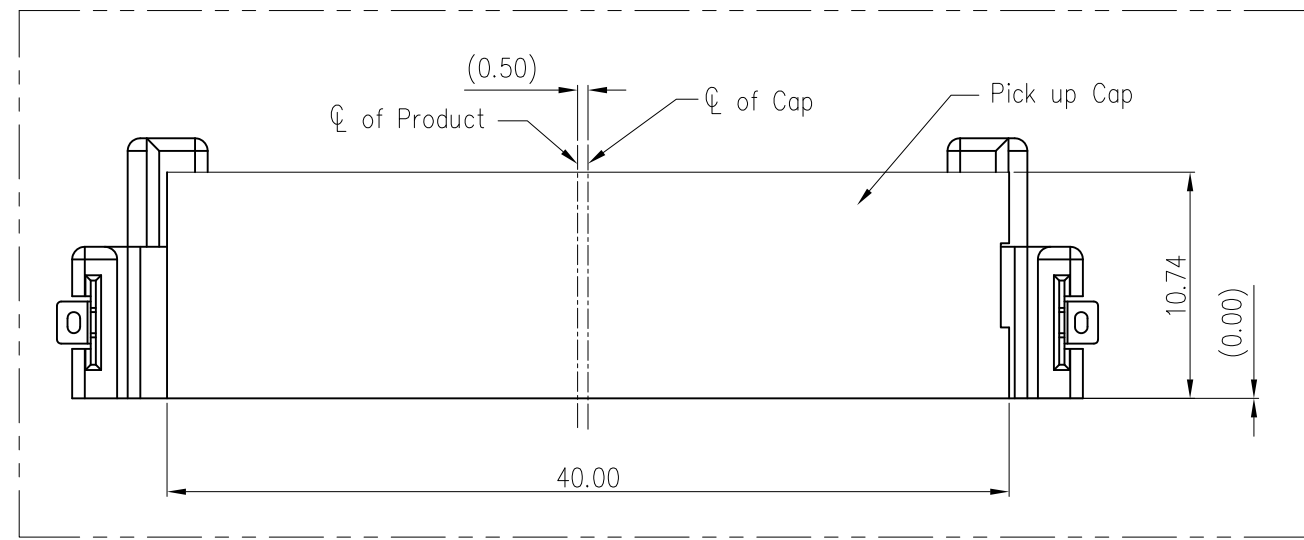
RECOMMENDED PCB LAYOUT
GENERAL TOLERANCE ±0.05

- NOTES:
- Material housing: High temperature thermoplastic UL94V-0, color: black.
Contact: Brass
Plating: Refer to P/N system on mating area.
1.27~2.54um Nickel underplate overall.
2.54~5.08um matte pure Tin on solder tail.
 - Electrical specification:
 - Current rating: 1.5A (Power section).
 - Contact resistance: 30mΩ MAX.
 - Insulator resistance: 1000MΩ MIN.
 - Dielectric withstanding voltage: 500 VAC
 - Operation temperature: -0°C~+55°C
 - Dimensioning shall be interpreted per ASME Y14.5M 1994
 - Material should be fulfilled Amphenol SPEC.# S-SN-002, for halogen free products, also need to meet S-SN-004
 - Order p/n system : PSAS4M213002XXX

MATING AREA PLATING ——— PACKING STYLE
 1- 0.76um MIN Au. NIL- TRAY
 2- 0.38um MIN Au. TR- TAPE AND REEL WITH CAP
 3- Gold Flash
 4- G/F Over PdNi



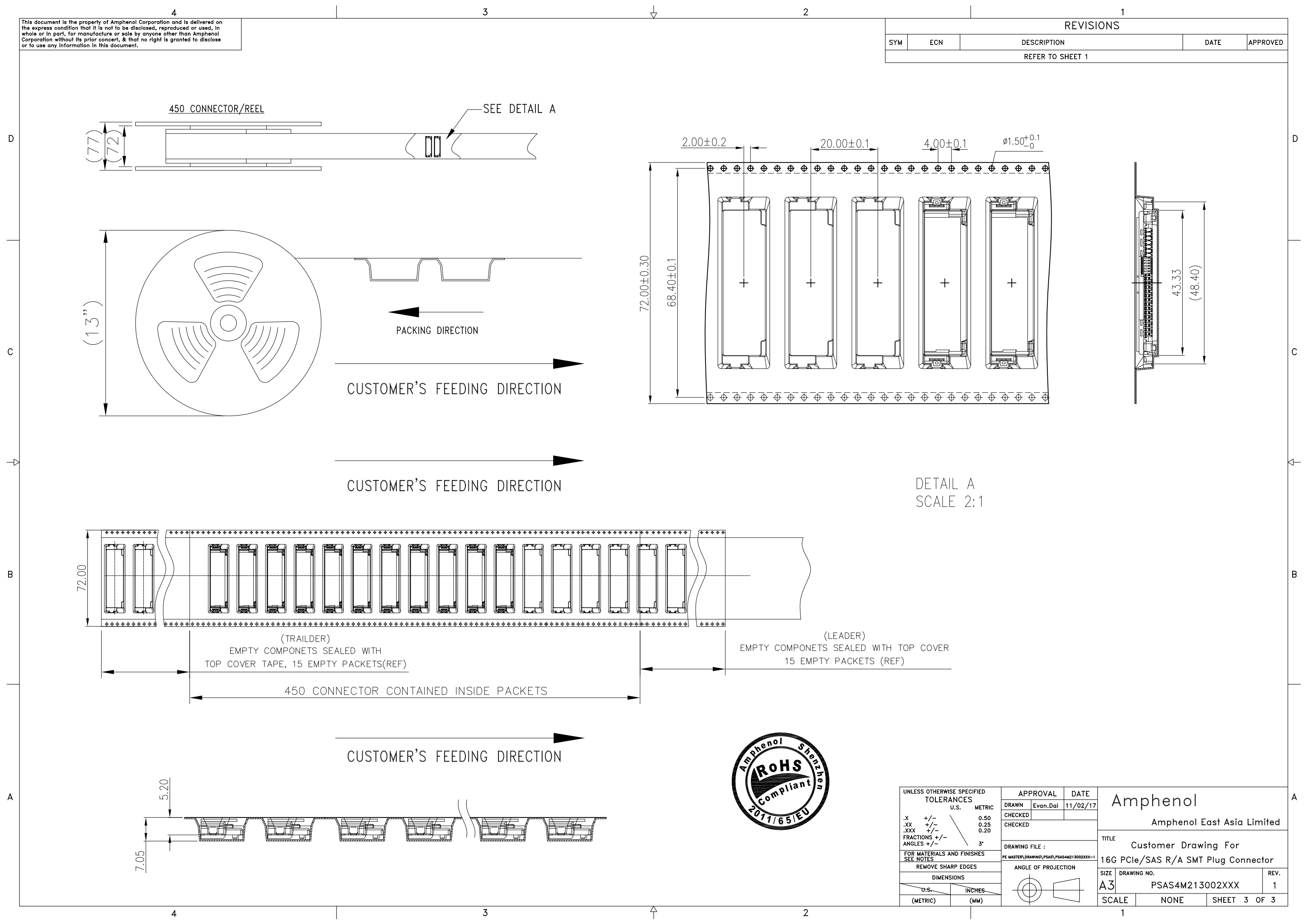
Scale 2:1



UNLESS OTHERWISE SPECIFIED TOLERANCES U.S. METRIC .X +/- 0.50 .XX +/- 0.25 .XXX +/- 0.20 FRACTIONS +/- ANGLES +/- 3°	APPROVAL	DATE	Amphenol
	DRAWN Evan.Dai	11/02/17	
FOR MATERIALS AND FINISHES SEE NOTES	CHECKED		TITLE
REMOVE SHARP EDGES	CHECKED		Customer Drawing For
DIMENSIONS	DRAWING FILE : PE MASTER\DRAWING\PSAS\PSAS4M213002XXX-1		16G PCIe/SAS R/A SMT Plug Connector
U.S. INCHES	ANGLE OF PROJECTION		SIZE DRAWING NO. REV.
(METRIC) (MM)			A3 PSAS4M213002XXX 1
			SCALE NONE SHEET 2 OF 3

This document is the property of Amphenol Corporation and is delivered on the express condition that it is not to be disclosed, reproduced or used, in whole or in part, for manufacture or sale by anyone other than Amphenol Corporation without its prior consent, & that no right is granted to disclose or to use any information in this document.

REVISIONS				
SYM	ECN	DESCRIPTION	DATE	APPROVED
REFER TO SHEET 1				



CUSTOMER'S FEEDING DIRECTION

DETAIL A
SCALE 2:1

(TRAILER)
EMPTY COMPONENTS SEALED WITH
TOP COVER TAPE, 15 EMPTY PACKETS(REF)

(LEADER)
EMPTY COMPONENTS SEALED WITH TOP COVER
15 EMPTY PACKETS (REF)

450 CONNECTOR CONTAINED INSIDE PACKETS

CUSTOMER'S FEEDING DIRECTION



UNLESS OTHERWISE SPECIFIED TOLERANCES	U.S.	METRIC	APPROVAL	DATE
	.X	+/-	0.50	DRAWN Evan.Dai 11/02/17
	.XX	+/-	0.25	CHECKED
	.XXX	+/-	0.20	CHECKED
FRACTIONS	+/-		DRAWING FILE :	
ANGLES	+/-	3°	PE MASTER\DRAWING\PSAS\PSAS4M213002XXX-1	
FOR MATERIALS AND FINISHES SEE NOTES			ANGLE OF PROJECTION	
REMOVE SHARP EDGES				
DIMENSIONS				
U.S.	INCHES			
(METRIC)	(MM)			

Amphenol		Amphenol East Asia Limited
Customer Drawing For		
16G PCIe/SAS R/A SMT Plug Connector		
SIZE	DRAWING NO.	REV.
A3	PSAS4M213002XXX	1
SCALE	NONE	SHEET 3 OF 3