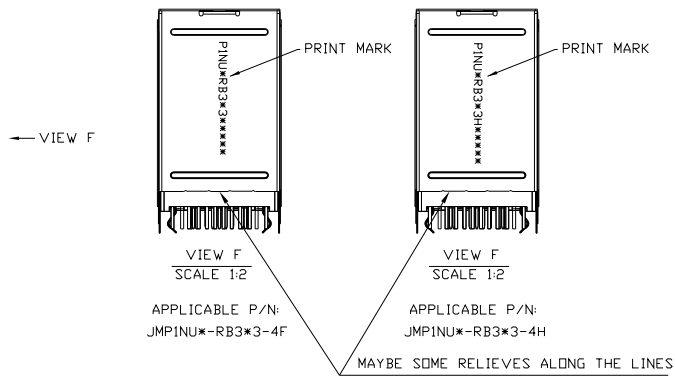
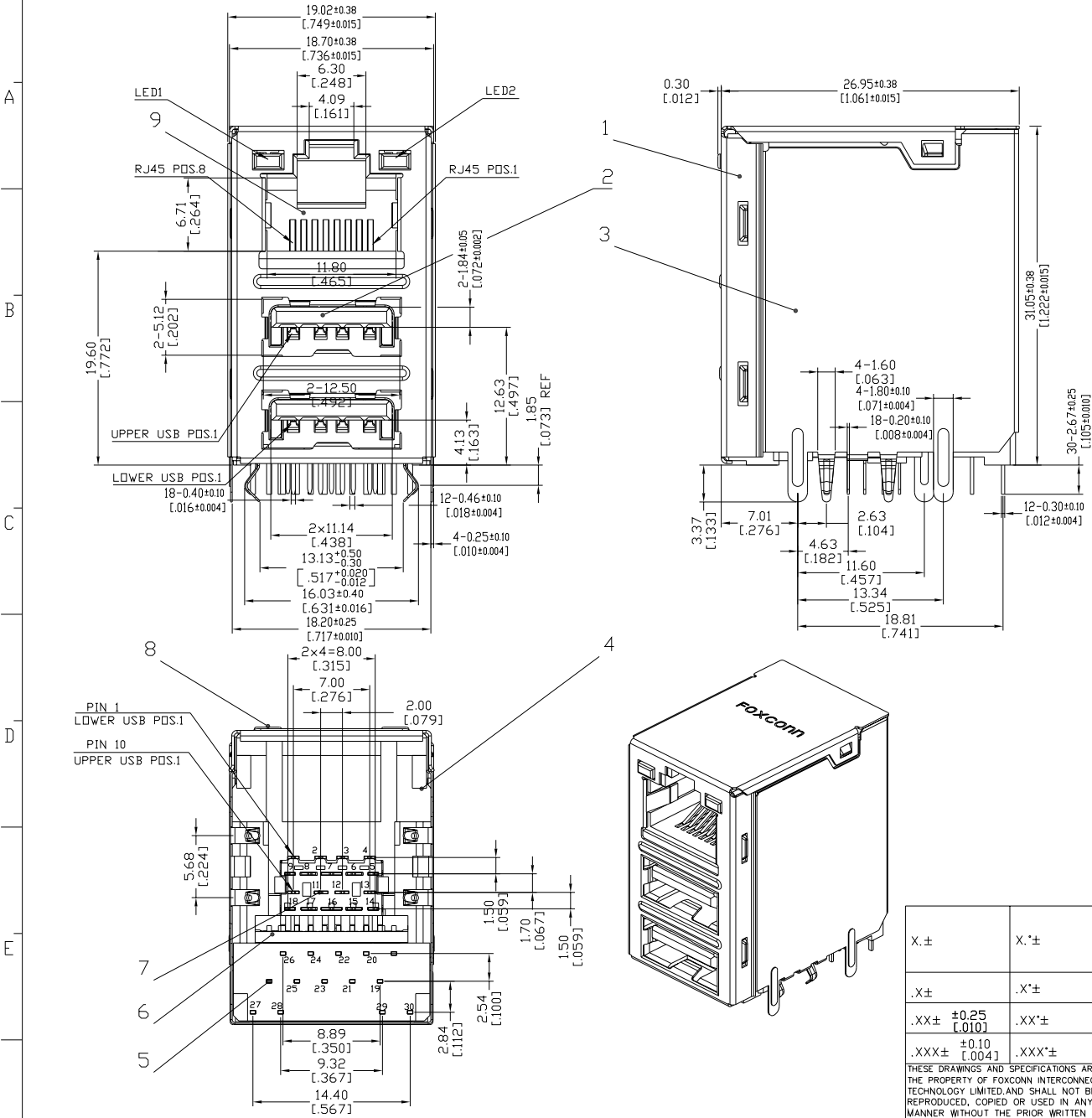
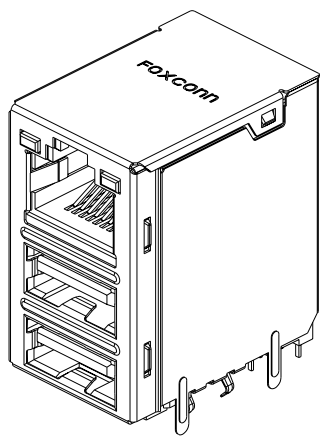


AUTOCAD GENERATED DRAWING, DON'T CHANGE BY HAND

REV.	ECN. NO.	APPD.
A	BC-15-0030847	ARTHUR H
B	BC-19-0017765	CAMVARD
C	BC-19-0019119	CAMVARD
CX1	BS-20-XXXX	JOSEPH



- NOTES UNLESS OTHERWISE SPECIFIED
- RJ45 TO BE BASED UPON FCC 68.5
 - STACKED USB TO BE BASED UPON USB 3.0 SPECIFICATION
 - RECOMMENDED PCB THICKNESS: 1.57±0.05(0.62±.002)
 - SOLDER CONDITION: WAVE SOLDER PEAK TEMPERATURE 270°C 6~10 SECOND
 - PRINT MARK:
 - PINU*RB3*3***** DATE CODE
 - F: LEAD FREE/WITH HALOGEN
 - H: HALOGEN FREE
 - LEDs
 - GOLD PLATING
 - C=30u"/Pd/Ni+ GOLD PLATING
 - 1=Gold flash
 - PRODUCT TO BE COMPLY WITH REQUIREMENT OF RoHS



UNITS	NAME (INTENDED USE)	FOXCONN INTERCONNECT TECHNOLOGY LIMITED.		
X.±	X.±	CUSTOMER		
.X±	.X±	PART NO. (INTENDED USE)		
.XX± ±0.25 [.010]	.XX±	JMPINU*-RB3*3-4*	CLASS: □ CONFIDENTIAL □ SECRET ■ GENERAL	
.XXX± ±0.10 [.004]	.XXX±	FINISH	TITLE: RJ45 MODULAR JACK OVER STACKED USB RECEPTACLE	
THESE DRAWINGS AND SPECIFICATIONS ARE THE PROPERTY OF FOXCONN INTERCONNECT TECHNOLOGY LIMITED AND SHALL NOT BE REPRODUCED, COPIED OR USED IN ANY MANNER WITHOUT THE PRIOR WRITTEN CONSENT OF FOXCONN INTERCONNECT TECHNOLOGY LIMITED.		N/A	APPD: JOSEPH 06/23/20	
		Q'TY	CHKD: B.H.SU 06/23/20	
		N/A	DRAW: M.J.JIANG 06/23/20	
			DWG NO.: 305-0000-6071	
			SCALE	SHEET
			N/A	1/5
				REV.
				CX1

9	RJ45 CONTACT	8	PHOSPHOR BRONZE C5191,T=0.30±0.02mm	1u" MINIMUM Au PLATING AT CONTACT FUNCTION AREA 100~200u" LEAD FREE TIN PLATING AT SOLDERING AREA 30~70u" NICKEL UNDERPLATING
8	LIGHTER	2	LED	LED1 X 1 LED2 X 1
7	USB CONTACT	18	PHOSPHOR BRONZE C5191,T=0.20±0.02mm	1u" MINIMUM Au PLATING AT CONTACT FUNCTION AREA 100~200u" LEAD FREE TIN PLATING AT SOLDERING AREA 50~100u" NICKEL UNDERPLATING
6	TRANSFORMER MODULE	1		
5	FOOT CONTACT	12	BRASS C2680,T=0.30±0.02mm	100~200 u" LEAD FREE TIN PLATING ALL 50~100u" NICKEL UNDERPLATING
4	FRAME HOUSING	1	PBT UL 94V-0	MOLDED COLOR: BLACK
3	REAR SHELL	1	STAINLESS STEEL SUS304,T=0.15±0.02mm	10u" MIN. NICKEL UNDERPLATING AT TAB AREA, 30~200u" Sn PLATED AT TAB AREA, NO PLATING ON THE OTHERS AREA
2	USB INSERT HOUSING	2	PA66 UL 94V-0	MOLDED COLOR: BLUE, PANTONE 300C
1	FRONT SHELL	1	STAINLESS STEEL SUS304,T=0.25±0.02mm	CLEANING
ITEM	DESC.	Q'TY	MATERIAL	TREATMENT

REMARK:

JM
 MODULAR

P
 JACK

1
 8P8C

N
 NORMAL

U
 COMBO

*
 USB GOLD PLATING

R B 3 * 3
 R : R/A+DIP EXTENSION NO.

4
 PACKAGING
 4: SOFT TRAY

*
 MATERIAL:
 H: HALOGEN FREE
 F: LEAD FREE/WITH HALOGEN

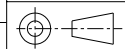
1=GOLD FLASH
 3= 30u" GOLD PLATING
 5= 50u" GOLD PLATING
 7= 15u" GOLD PLATING
 A=10u" Pd/Ni+ GOLD PLATING
 C=30u" Pd/Ni+ GOLD PLATING
 E=50u" Pd/Ni+ GOLD PLATING
 K=15u" Pd/Ni+ GOLD PLATING
 L=25u" Pd/Ni+ GOLD PLATING
 Y= 5-10u" GOLD PLATING
 W= 5-8u" Pb/Ni+1-3u"
 GOLD PLATING

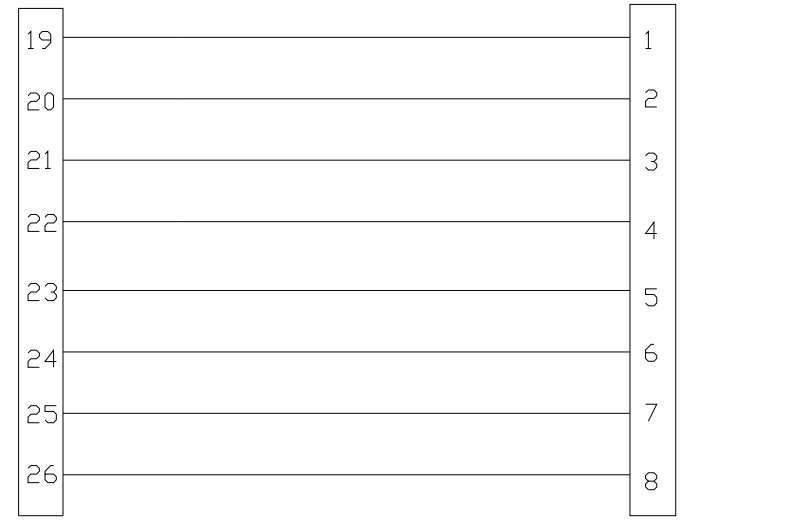
X.±	X.*±	UNITS	NAME(INTENDED USE)
.X±	.X*±	MAT'L N/A	CUSTOMER
.XX±	.XX*±	FINISH N/A	PART NO.(INTENDED USE) JMP1NU*-RB3*3-4*
.XXX±	.XXX*±	Q'TY N/A	APPD: JOSEPH 06/23/20
<small>THESE DRAWINGS AND SPECIFICATIONS ARE THE PROPERTY OF FOXCONN INTERCONNECT TECHNOLOGY LIMITED AND SHALL NOT BE REPRODUCED, COPIED OR USED IN ANY MANNER WITHOUT THE PRIOR WRITTEN CONSENT OF FOXCONN INTERCONNECT TECHNOLOGY LIMITED.</small>		CHKD: B.H.SU 06/23/20	TITLE: RJ45 MODULAR JACK OVER STACKED USB RECEPTACLE
		DRAW: M.J.JIANG 06/23/20	DWG NO.: 305-0000-6071

SCALE	SHEET	REV.
N/A	2/5	CX1



FOXCONN INTERCONNECT TECHNOLOGY LIMITED.

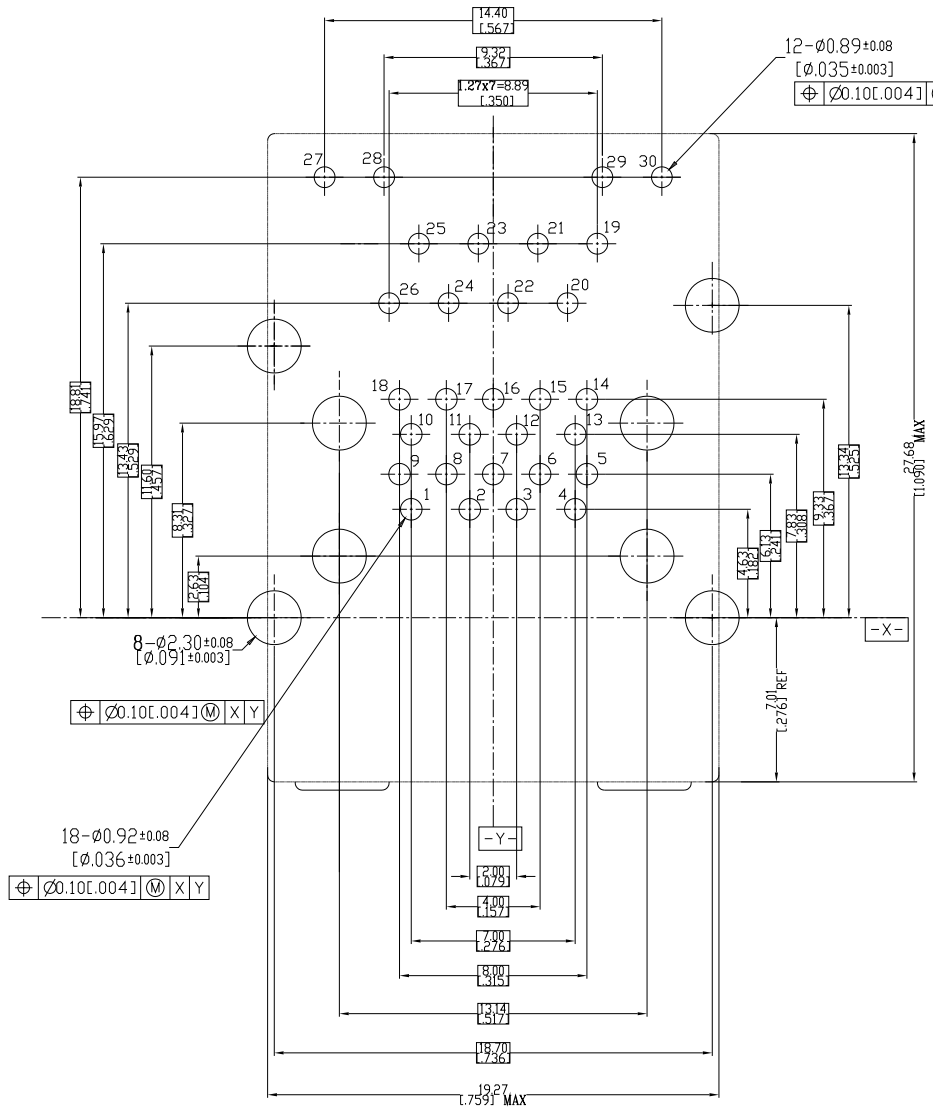




SPACER
RJ45
CONNECTOR
CONNECTING SCHEMATICS

JMP1NU*-RB3S3-4*	27 YELLOW	28	29 GREEN	30 ORANGE
JMP1NU*-RB3M3-4*	27 YELLOW	28	29 ORANGE	30 GREEN
JMP1NU*-RB3K3-4*	27 ORANGE	28	29 GREEN	30 ORANGE
JMP1NU*-RB3J3-4*	27 GREEN	28 YELLOW	29 GREEN	30
JMP1NU*-RB3H3-4*	27 ORANGE	28	29 GREEN	30
JMP1NU*-RB3G3-4*	27 YELLOW	28	29 GREEN	30 ORANGE
JMP1NU*-RB3F3-4*	27 GREEN	28	29 ORANGE	30 GREEN
JMP1NU*-RB3B3-4*	27 GREEN	28 ORANGE	29 YELLOW	30
JMP1NU*-RB3A3-4*	27 GREEN	28	29 YELLOW	30 GREEN
JMP1NU*-RB343-4*	27 YELLOW	28	29 YELLOW	30
JMP1NU*-RB333-4*	27 GREEN	28	29 YELLOW	30
JMP1NU*-RB323-4*	27 GREEN	28	29 GREEN	30
JMP1NU*-RB313-4*	27 YELLOW	28	29 GREEN	30
JMP1NU*-RB303-4*	NONE		NONE	
PART NO.	LED1		LED2	


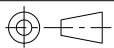
X.±	X.*±	UNITS	NAME(INTENDED USE)	FOXCONN INTERCONNECT TECHNOLOGY LIMITED.
.X±	.X*±	MAT'L N/A	CUSTOMER PART NO.(INTENDED USE) JMP1NU*-RB3*3-4*	
.XX±	.XX*±	FINISH N/A	APPD: JOSEPH 06/23'20	CLASS: <input type="checkbox"/> CONFIDENTIAL <input type="checkbox"/> SECRET <input checked="" type="checkbox"/> GENERAL
.XXX±	.XXX*±		Q'TY N/A	CHKD: B.H.SU 06/23'20 DRAW: M.J.JIANG 06/23'20
THESE DRAWINGS AND SPECIFICATIONS ARE THE PROPERTY OF FOXCONN INTERCONNECT TECHNOLOGY LIMITED AND SHALL NOT BE REPRODUCED, COPIED OR USED IN ANY MANNER WITHOUT THE PRIOR WRITTEN CONSENT OF FOXCONN INTERCONNECT TECHNOLOGY LIMITED.				DWG NO.: 305-0000-6071 SCALE N/A SHEET 3/5 REV. CX1



RECOMMENDED P.C.B. LAYOUT
TOP VIEW (COMPONENT SIDE)

USB 3.0 STANDARD-A CONNECTOR PIN ASSIGNMENTS

PIN NUMBER	SIGNAL NAME	DESCRIPTION	
1	10	VBUS POWER	
2	11	D-	USB 2.0 DIFFERENTIAL PAIR
3	12	D+	
4	13	GND	GROUND FOR POWER RETURN
5	14	StdA_SSRX-	SUPERSPEED RECEIVER DIFFERENTIAL PAIR
6	15	StdA_SSRX+	
7	16	GND_DRAIN	GROUND FOR SIGNAL RETURN
8	17	StdA_SSTX-	SUPERSPEED TRANSMITTER DIFFERENTIAL PAIR
9	18	StdA_SSTX+	

X.±	X.*±	UNITS mm [INCH]	NAME(INTENDED USE) CUSTOMER	 FOXCONN INTERCONNECT TECHNOLOGY LIMITED.
.X±	.X.*±	MAT'L N/A	PART NO.(INTENDED USE) JMP1NU*-RB3*3-4*	
.XX± [±0.05 / .002]	.XX.*±	FINISH N/A	APPD: JOSEPH 06/23/20	CLASS: <input type="checkbox"/> CONFIDENTIAL <input type="checkbox"/> SECRET <input checked="" type="checkbox"/> GENERAL
.XXX±	.XXX.*±	Q'TY N/A	CHKD: B.H.SU 06/23/20	TITLE: RJ45 MODULAR JACK OVER STACKED USB RECEPTACLE
THESE DRAWINGS AND SPECIFICATIONS ARE THE PROPERTY OF FOXCONN INTERCONNECT TECHNOLOGY LIMITED AND SHALL NOT BE REPRODUCED, COPIED OR USED IN ANY MANNER WITHOUT THE PRIOR WRITTEN CONSENT OF FOXCONN INTERCONNECT TECHNOLOGY LIMITED.			DRAW: M.J.JIANG 06/23/20	DWG NO.: 305-0000-6071
			 SCALE SHEET REV. N/A 4/5 CX1	

NOTES :UNLESS OTHERWISE SPECIFIED

SEE SHEET 1/5

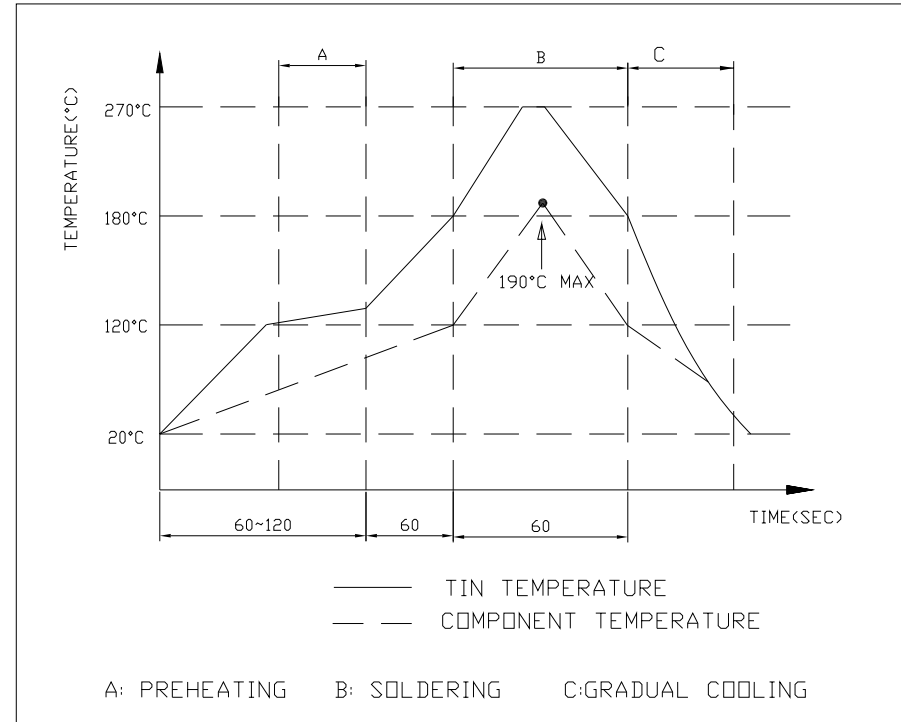
1. LED'S CHARACTERISTICS:
- FORWARD VOLTAGE IF=20mA GREEN 1.80~2.60V
 - DOMINANT WAVELENGTH IF=20mA GREEN 564~574nm
 - LUMINOUS INTENSITY IF=20mA GREEN 4~16mcd
 - FORWARD VOLTAGE IF=20mA YELLOW 1.80~2.40V
 - DOMINANT WAVELENGTH IF=20mA YELLOW 584~592nm
 - LUMINOUS INTENSITY IF=20mA YELLOW 2~12mcd
 - FORWARD VOLTAGE IF=20mA ORANGE 1.80~2.40V
 - DOMINANT WAVELENGTH IF=20mA ORANGE 600~605nm
 - LUMINOUS INTENSITY IF=20mA ORANGE 2~12mcd

2. MECHANICAL CHARACTERISTICS:
- 2-1. CONNECTOR MATING FORCES: 4.5LBS MAXIMUM WITH LATCH DEPRESSED.
CONNECTOR UNMATING FORCE: 4.5LBS MAXIMUM WITH LATCH DEPRESSED AT AN ADVANTAGEOUS ANGLE.
 - 2-2. DURABILITY (MATING/UNMATING CYCLES): 1000 CYCLES.
 - 2-3. OPERATING TEMPERATURE: -30°C TO +85°C.
STORAGE TEMPERATURE: -40°C TO +100°C.

USB SPECIFICATIONS:

1. ELECTRICAL CHARACTERISTICS:
- 1-1.CONTACT CURRENT RATING: 1.8 A FOR VBUS PIN AND ITS CORRESPONDING GND PIN, 0.25 A MIN. FOR ALL OTHER CONTACTS. THE CURRENT IS APPLIED TO THE CONTACTS,THE DELTA OF TEMPERATURE < 30°C UNDER TEST.
 - 1-2.CONTACT RESISTANCE: INITIAL 30 mΩHMS MAX. FOR VBUS AND GND CONTACTS. INITIAL 50 mΩHMS MAX. FOR ALL OTHER CONTACTS, AFTER DURABILITY 10 mΩHMS MAX. CHANGE.
 - 1-3.DIELECTRIC WITHSTANDING VOLTAGE: 100 VAC MIN..
 - 1-4.INSULATION RESISTANCE: 100 MEGOHMS MIN.
2. MECHANICAL CHARACTERISTICS:
- 2-1.CONNNECTOR MATING FORCE : 35N MAX..
 - 2-2.CONNNECTOR UNMATING FORCE : 10N MIN. INITIAL, 8N MIN. AFTER DURABILITY
 - 2-3.DURABILITY : 1500 CYCLES.
 - 2-4.OPERATING TEMPERATURE: -55 TO +85 °C
3. MEET USB3.0 STANDARD SPECIFICATION.

PROFILE OF WAVE SOLDER:



SUGGESTED WAVE SOLDER CURVE

- (1) PEAK TEMPERATURE: 270°C
- (2) PEAK TEMPERATURE TIME: 6~10 SECOND

X.±	X'±	UNITS	NAME(INTENDED USE)	FOXCONN INTERCONNECT TECHNOLOGY LIMITED.
.X±	.X'±	MAT'L	CUSTOMER	
.XX±	.XX'±	N/A	PART NO.(INTENDED USE)	CLASS: <input type="checkbox"/> CONFIDENTIAL <input type="checkbox"/> SECRET <input checked="" type="checkbox"/> GENERAL
.XXX±	.XXX'±	FINISH	APPD:	TITLE: RJ45 MODULAR JACK OVER STACKED USB RECEPTACLE
<small>THESE DRAWINGS AND SPECIFICATIONS ARE THE PROPERTY OF FOXCONN INTERCONNECT TECHNOLOGY LIMITED AND SHALL NOT BE REPRODUCED, COPIED OR USED IN ANY MANNER WITHOUT THE PRIOR WRITTEN CONSENT OF FOXCONN INTERCONNECT TECHNOLOGY LIMITED.</small>		N/A	JOSEPH 06/23/20	DWG NO.: 305-0000-6071
		Q'TY	CHKD: B.H.SU 06/23/20	SCALE SHEET REV.
		N/A	DRAW: M.J.JIANG 06/23/20	N/A 5/5 CX1