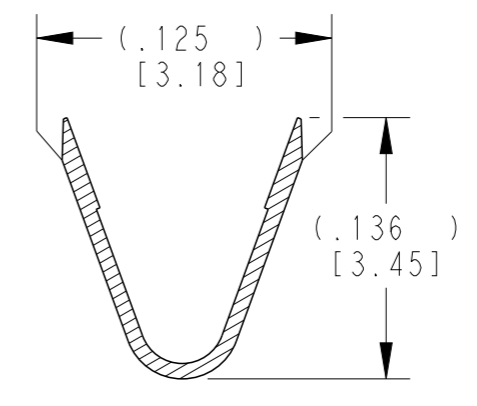
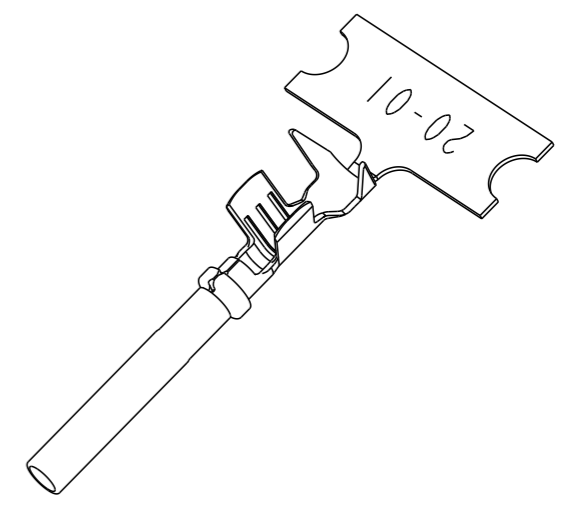
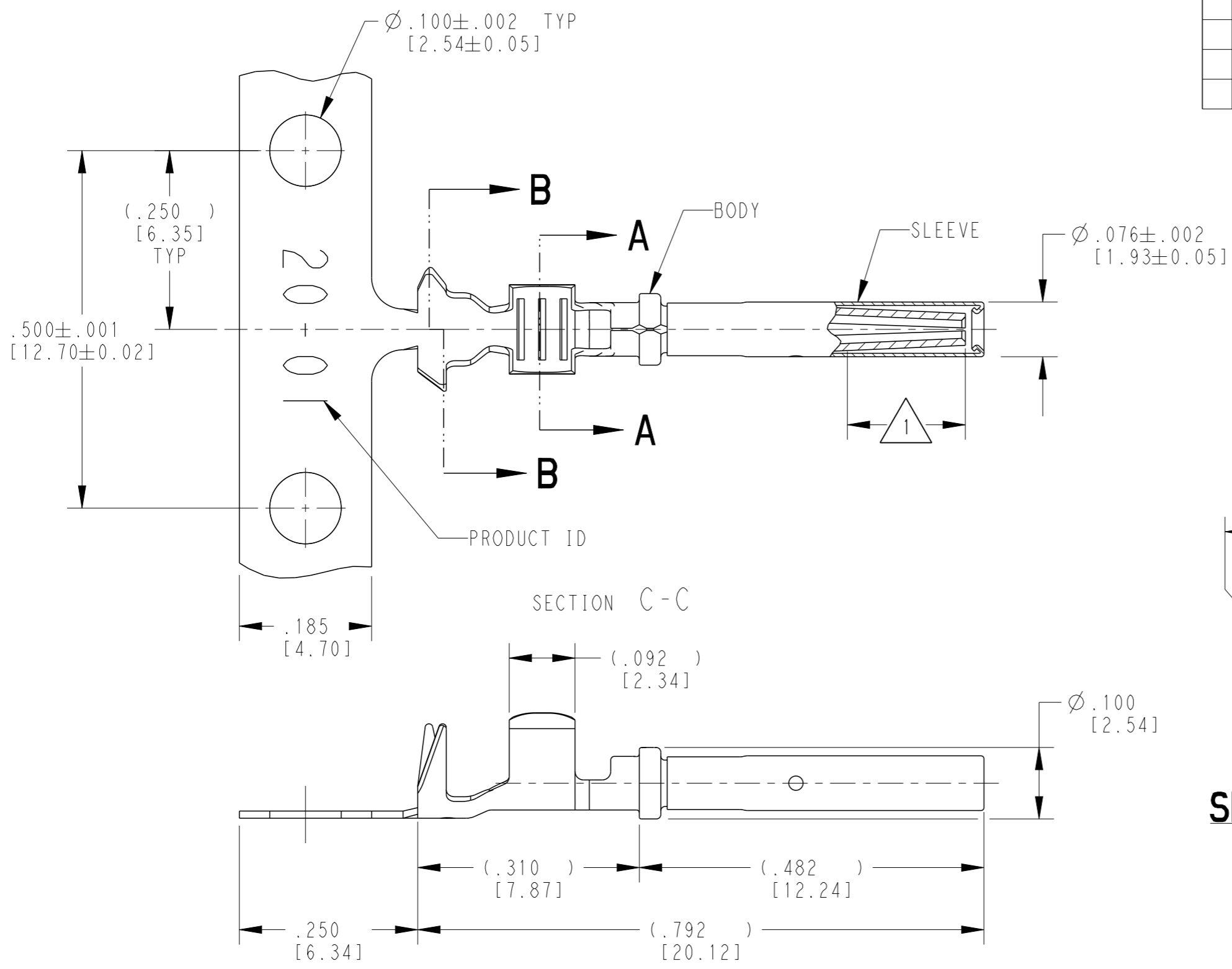
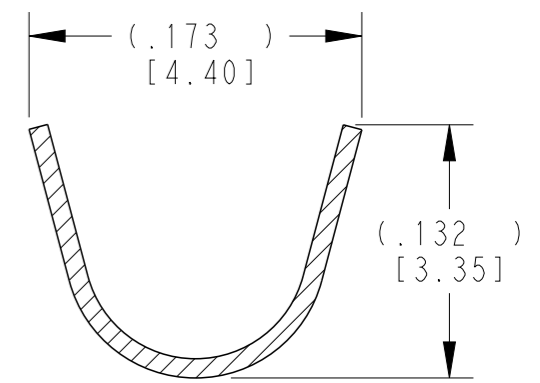


THIS DRAWING IS UNPUBLISHED. RELEASED FOR PUBLICATION 2018  
 © COPYRIGHT 2018 BY - ALL RIGHTS RESERVED.

REVISIONS					
P	LTR	DESCRIPTION	DATE	DWN	APVD
	E	REVISED PER E.O. P20382	03DEC2009		RDR
	F	REVISED PER PCN :E-18-007949	23MAY2018	DD	DM



**SECTION A-A**  
WIRE BARREL



**SECTION B-B**  
INSULATION BARREL

3 MATERIAL:  
 BODY: .010 [0.25] THICK COPPER ALLOY  
 SLEEVE: STAINLESS STEEL

2. WIRE RANGE: 22 AWG TO 16 AWG [0.35-1.5 mm<sup>2</sup>]  
 INSULATION RANGE:  $\varnothing .075$ - $\varnothing .125$  [ $\varnothing 1.91$ -3.18]

1 APPLIES ONLY TO SELECTIVE GOLD 1062-20-0144.  
 INDICATED DIMENSION SHOWS GOLD PLATED AREA.

NOTES: UNLESS OTHERWISE SPECIFIED

THIS DRAWING IS A CONTROLLED DOCUMENT.		DWN J. APOSTOL 01DEC2009
DIMENSIONS: INCHES [mm]		CHK D. MEYER 02DEC2009
TOLERANCES UNLESS OTHERWISE SPECIFIED:		APVD R. REED 02DEC2009
0 PLC ±	1 PLC ±	PRODUCT SPEC 0425-015-0000
2 PLC ±	3 PLC ±	APPLICATION SPEC 114-151003
4 PLC ±	ANGLES ±	WEIGHT 0.21 g
MATERIAL 3	FINISH SEE TABLE	CUSTOMER DRAWING

TE INTERNAL PN	DEUTSCH PN	PLATING
1062-20-0122	1062-20-0122	NICKEL
1062-20-0144	1062-20-0144	SELECTIVE GOLD
1062-20-0177	1062-20-0177	TIN



NAME STAMPED CONTACT SOCKET SIZE 20			
SIZE A3	CAGE CODE 4AFU8	DRAWING NO C=1062-20-01XX	RESTRICTED TO -
SCALE 6:1		SHEET 1 OF 1	REV F