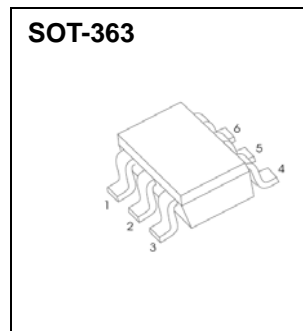
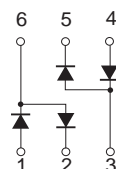


Plastic-Encapsulate Diodes

SWITCHING DIODE

FEATURES

- Fast Switching Speed
- Ultra-Small Surface Mount Package
- For General Purpose Switching Applications
- High Conductance

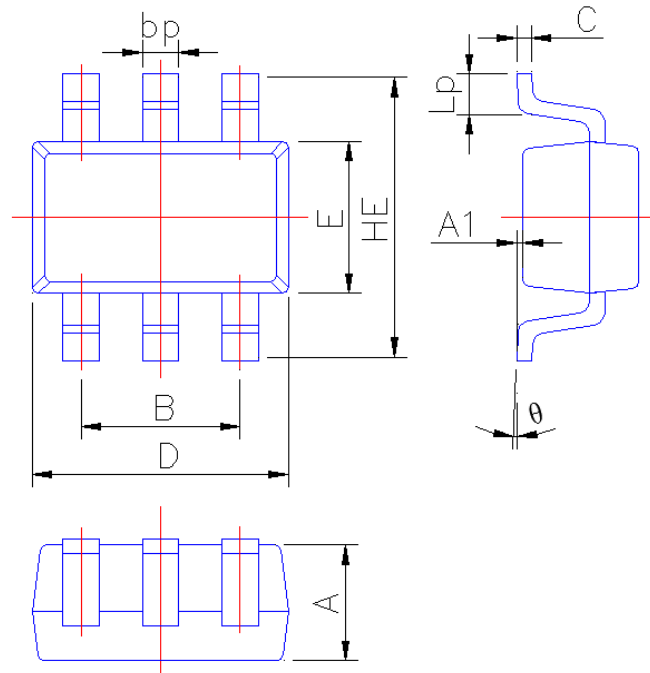


Maximum Ratings @Ta=25°C

Parameter	Symbol	Limit	Unit	
Peak Repetitive Peak Reverse Voltage	V_{RRM}	75	V	
Working Peak Reverse Voltage	V_{RWM}			
DC Blocking Voltage	V_R			
Forward Continuous Current	I_{FM}	300	mA	
Average Rectified Output Current	I_O	150	mA	
Non-Repetitive Peak Forward Surge Current	I_{FSM}	@ t = 1.0µs	2	A
		@ t = 1.0s	1	
Power Dissipation	P_D	200	mW	
Thermal Resistance Junction to Ambient	$R_{\theta JA}$	625	°C/W	
Operating Junction Temperature	T_J	150	°C	
Storage Temperature	T_{STG}	-55~+150	°C	

ELECTRICAL CHARACTERISTICS (Ta=25°C unless otherwise specified)

Parameter	Symbol	Test conditions	Min	Max	Unit
Reverse breakdown voltage	$V_{(BR)}$	$I_R = 2.5\mu A$	75		V
Reverse voltage leakage current	I_R	$V_R = 75V$		2.5	μA
		$V_R = 20V$		0.025	
Forward voltage	V_F	$I_F = 1mA$		715	mV
		$I_F = 10mA$		855	
		$I_F = 50mA$		1000	
		$I_F = 150mA$		1250	
Junction capacitance	C_T	$V_R = 0, f = 1MHz$		2	pF
Reveres recovery time	t_{rr}	$I_F = I_R = 10mA, I_{rr} = 0.1 \times I_R,$ $R_L = 100\Omega$		4	ns

SOT-363 PACKAGE OUTLINE


Symbol	Dimension in Millimeters	
	Min	Max
A	0.90	1.00
A1	0.010	0.100
B	1.20	1.40
bp	0.25	0.45
C	0.09	0.15
D	2.00	2.20
E	1.15	1.35
HE	2.15	2.55
Lp	0.25	0.46
θ	0°	6°