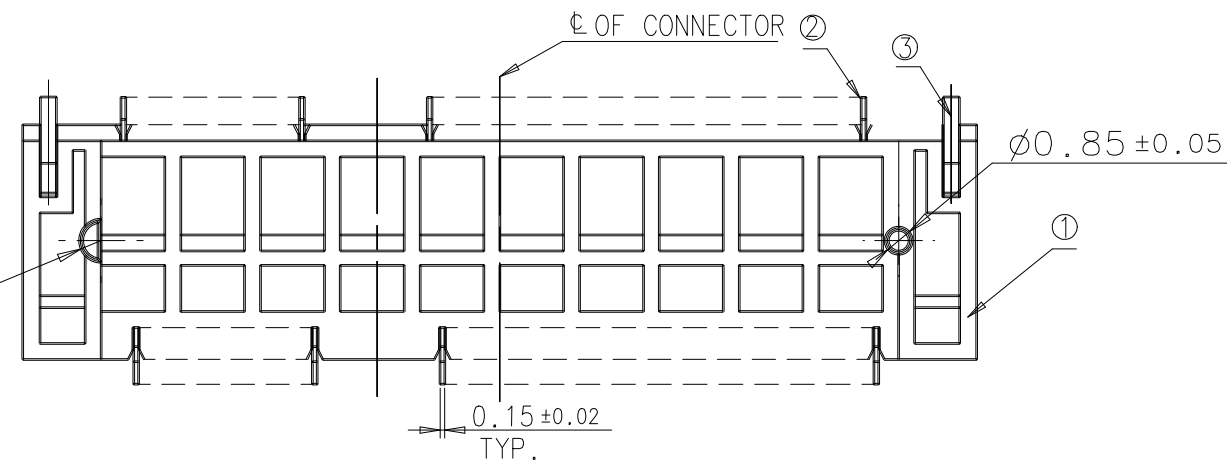
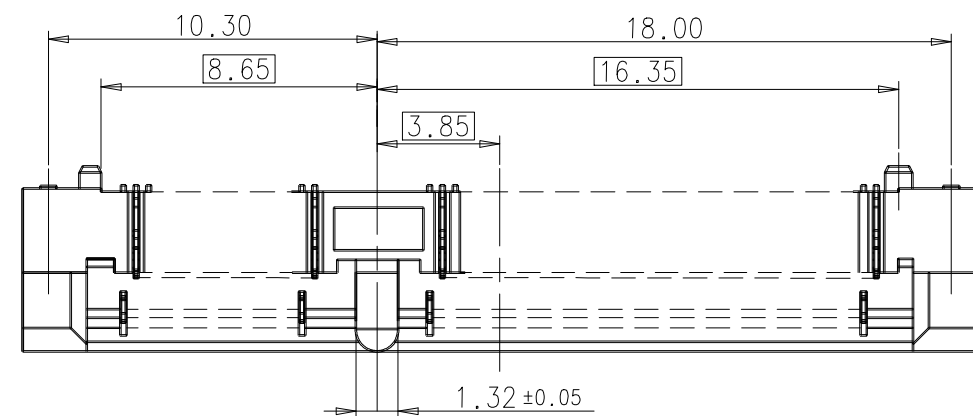


IDEAS GENERATED DRAWING, DO NOT CHANGE BY HAND

REV.	ECN. NO.	APPD.
A	BC-10-0131689	Herry Yang
B	BC-11-0001491	Herry Yang
C	BC-11-0060226	Herry Yang



- NOTES:
- ELECTRICAL CHARACTERISTICS:
 - CONTACT CURRENT RATING: 0.5 AMPERE MAX. PER PIN.
(PER PIN) DOESN'T EXCEED 30°C ABOVE AMBIENT AT 0.5 AMPERE MAX. PER PIN.
 - VOLTAGE RATING: 50V AC.
 - INSULATION RESISTANCE: 500 MEGAOHMS MIN. AT 500V DC.
 - DIELECTRIC WITHSTANDING VOLTAGE: 300V AC RMS AT 60Hz, FOR 1 MINUTE.
 - CONTACT RESISTANCE: 55 MILLIOHMS MAX. PER PIN INITIAL.
 $\Delta R = 20$ MILLIOHMS MAX. PER PIN AFTER FULL ENVIRONMENTAL TESTING.
 - MECHANICAL CHARACTERISTICS: DURABILITY: 50 MATING CYCLES.
 - OPERATION TEMPERATURE: -40°C TO +80°C.
 - PLEASE CONTACT FOXCONN SALES REPRESENTATIVE TO VERIFY PRODUCT DETAIL & AVAILABILITY.

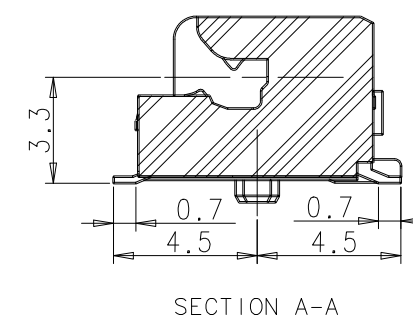
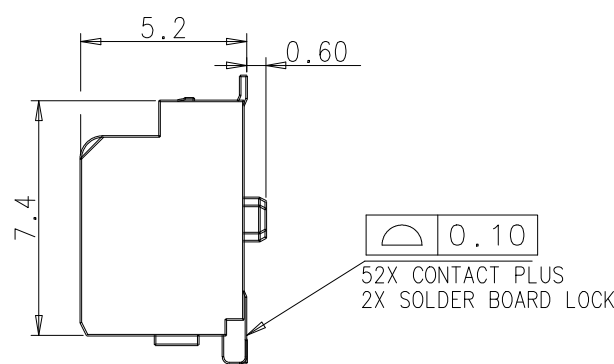
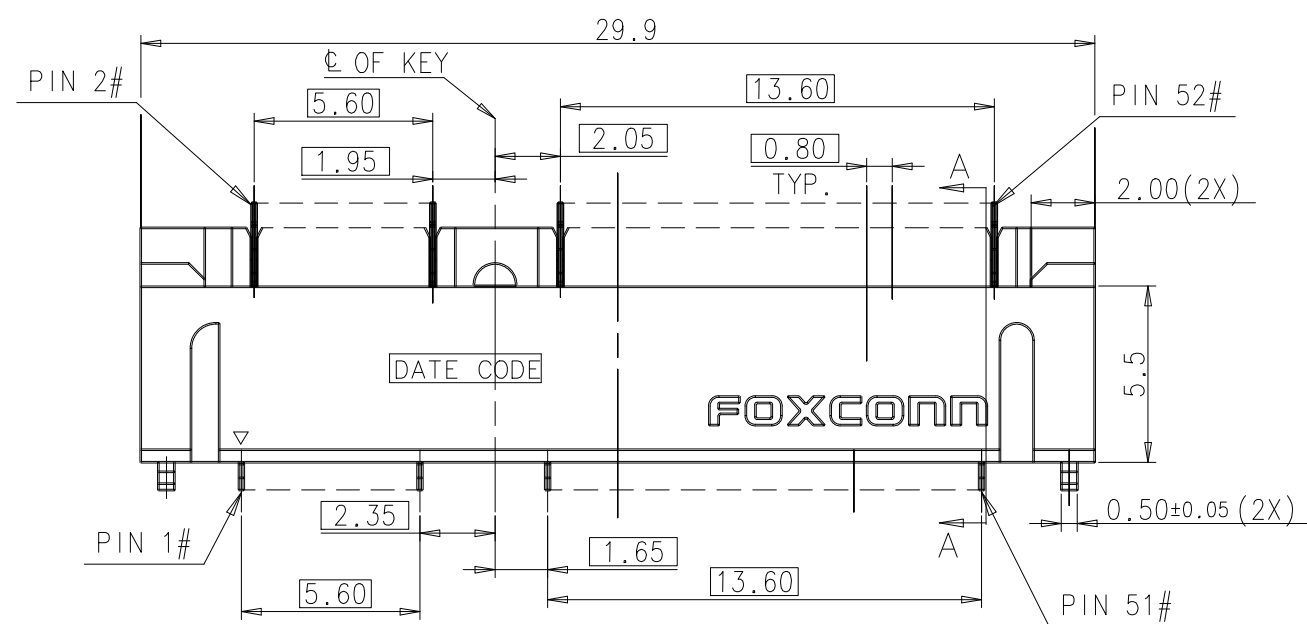


PART NO. DESCRIPTION: A S 0 B 2 2 * - S 5 2 * - 7 H

MEMORY MODULE SOCKET
 HORIZONTAL TYPE
 SINGLE ROW
 NO. OF POS.
 B2= 52 POS.
 SMT

CONTACT AREA PLATING
 6=10u" GOLD PLATING
 1=GOLD FLASH

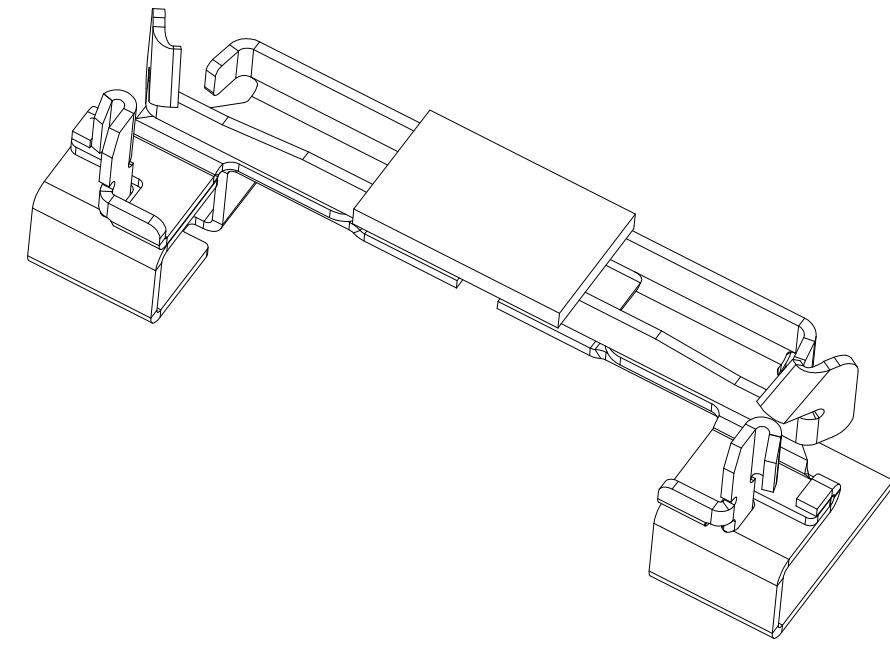
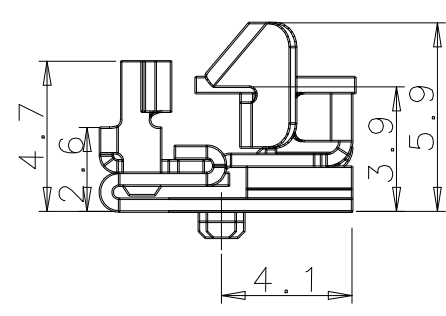
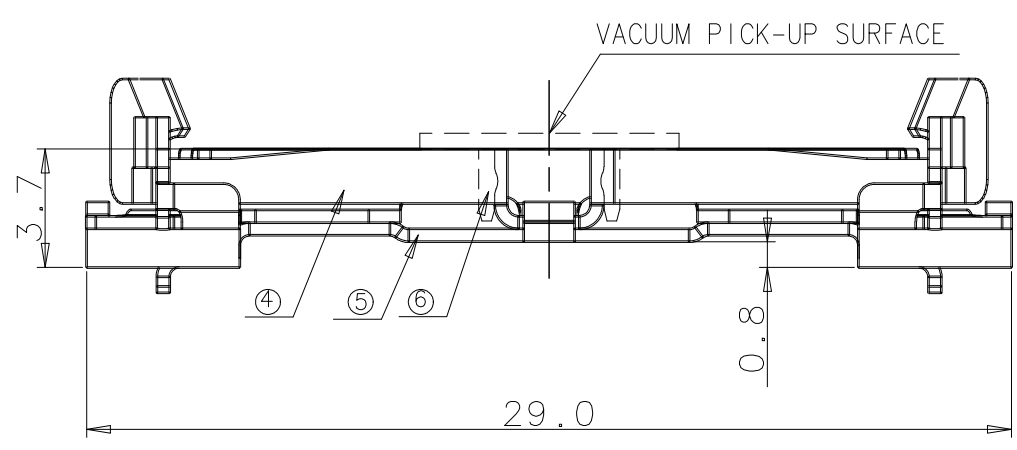
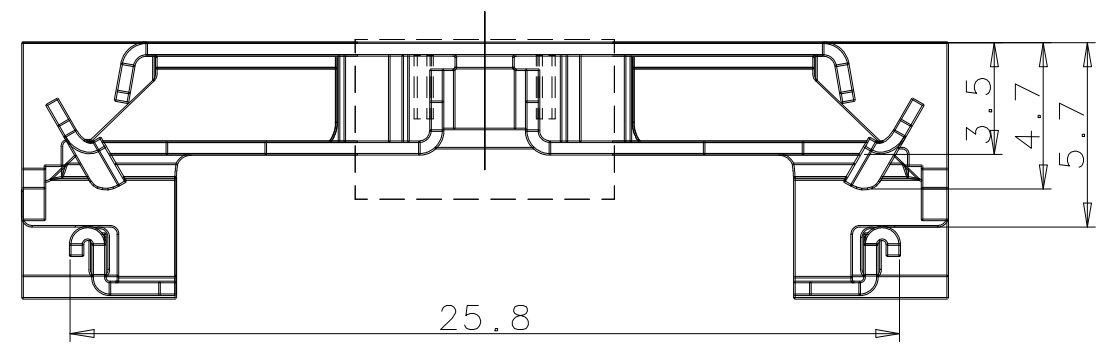
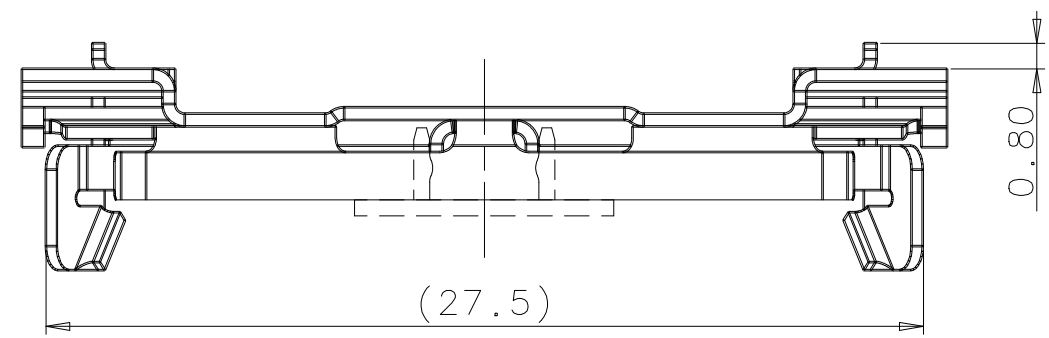
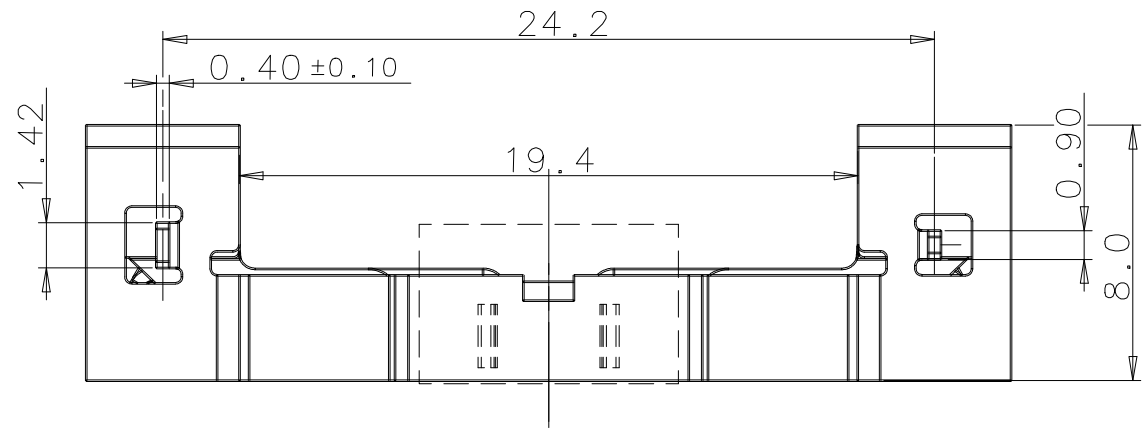
H=HALOGEN/LEAD FREE
 7=TAPE&REEL
 Q=GENERAL TYPE
 K=ONLY CLIP
 52=5.2mm HEIGHT
 STANDARD TYPE



X. ± 0.30	X° ± 2°	UNITS	mm	NAME (INTENDED USE)	FOXCONN HON HAI PRECISION IND. CO., LTD. TAIPEI, TAIWAN, R.O.C.	
.X ± 0.25	.X° ± 1°	MAT'L		MINI PCI EXPRESS CONNECTOR		
.XX ± 0.15	.XX° ±	FINISH		PART NO. (INTENDED USE)	TITLE:	
.XXX ±	.XXX° ±	Q'TY		ASOB22*-S52*-7H	CUSTOMER DRAWING	
THESE DRAWINGS AND SPECIFICATIONS ARE THE PROPERTY OF HON HAI PRECISION IND. CO., LTD. AND SHALL NOT BE REPRODUCED, COPIED OR USED IN ANY MANNER WITHOUT THE PRIOR WRITTEN CONSENT OF HON HAI PRECISION IND. CO., LTD.				APPD: Herry Yang	DWG NO.:	
				CHKD: ZH.Wang	317-0000-2008	
				DR: Wang Justin 6/1'11		
				SCALE	SHEET	REV.
				N/A	1/7	C

IDEAS GENERATED DRAWING, DO NOT CHANGE BY HAND

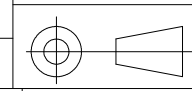
REV.	ECN.	NO.	APPD.



⑥	CAP	1	THERMOPLASTIC	UL94V-0, IVORY COLOR(IN ORDER TO PICK-UP, TAKE AWAY AFTER ASSEMBLY)
⑤	CLIP(2)	1	STAINLESS STEEL	2u" Pd PLATING OVER SOLDER PAD AREA
④	CLIP(1)	1	STAINLESS STEEL	NO PLATING
③	BOARD LOCK	2	COPPER ALLOY	100u" MATTE TIN PLATING OVER ALL
②	CONTACT	52	COPPER ALLOY	50u" NICKEL UNDER PLATING GOLD FLASH AT TAIL 10u" GOLD PLATING OR GOLD FLASH AT CONTACT AREA
①	HOUSING	1	THERMOPLASTIC	UL94V-0, IVORY COLOR

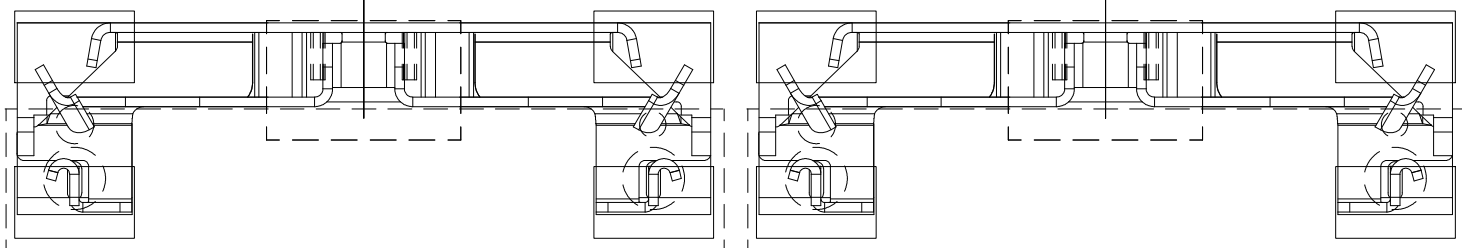
ITEM	DESCRIPTION	Q'TY	MATERIAL	TREATMENT						
x. ±	0.30	x° ±	UNITS	mm						
.x ±	0.25	.x° ±	MAT'L	NAME (INTENDED USE)						
.xx ±	0.15	.xx° ±	FINISH	MINI PCI EXPRESS CONNECTOR						
.xxx ±		.xxx° ±	Q'TY	PART NO. (INTENDED USE)						
THESE DRAWINGS AND SPECIFICATIONS ARE THE PROPERTY OF HON HAI PRECISION IND. CO., LTD. AND SHALL NOT BE REPRODUCED, COPIED OR USED IN ANY MANNER WITHOUT THE PRIOR WRITTEN CONSENT OF HON HAI PRECISION IND. CO., LTD.				ASOB22*-S52*-7H						
				APPD: Herry Yang		TITLE: CUSTOMER DRAWING				
				CHKD: Alex Wong		DWG NO.: 317-0000-2008				
				DR: Wang Justin 6/1'11						
				<table border="1"> <tr> <td>SCALE</td> <td>SHEET</td> <td>REV.</td> </tr> <tr> <td>N/A</td> <td>2/7</td> <td>C</td> </tr> </table>	SCALE	SHEET	REV.	N/A	2/7	C
SCALE	SHEET	REV.								
N/A	2/7	C								

FOXCONN
HON HAI PRECISION IND. CO., LTD.
TAIPEI, TAIWAN, R.O.C.

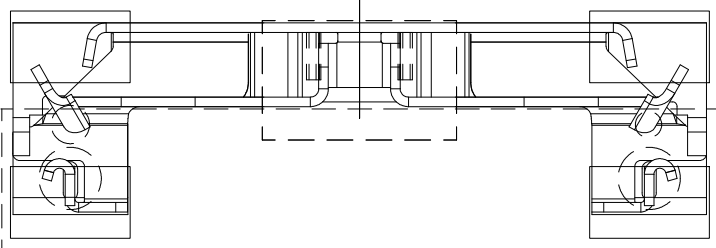


IDEAS GENERATED DRAWING, DO NOT CHANGE BY HAND

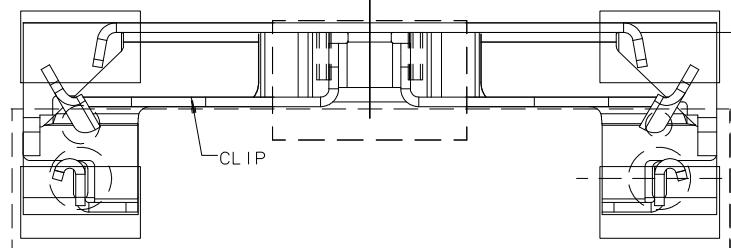
REV.	ECN.	NO.	APPD.



TOP SIDE

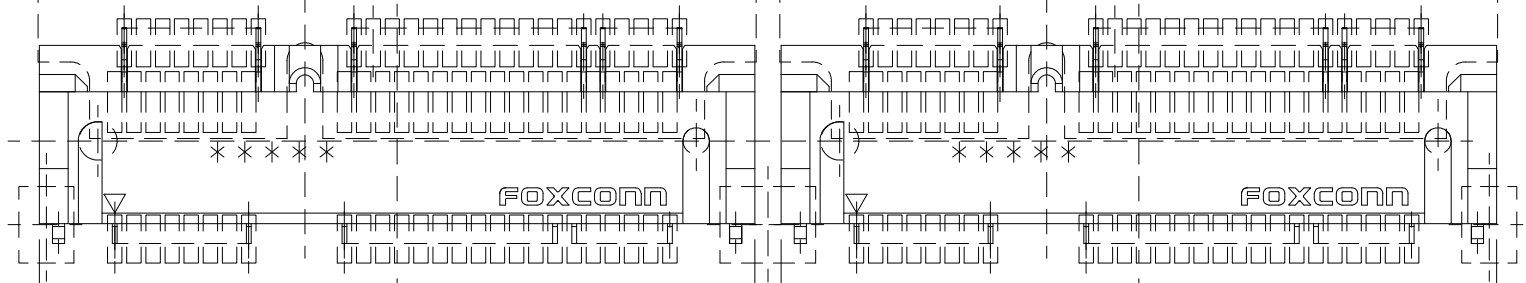


TOP SIDE



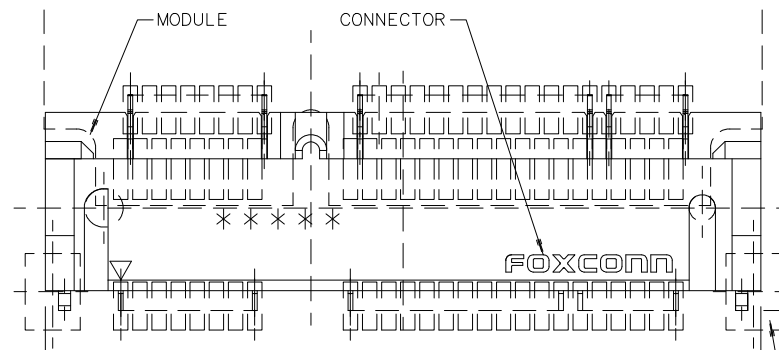
TOP SIDE

HALF-MINI CARD = 24.00 REF
 FULL-MINI CARD = 48.15 REF
 HALF-MINI CARD = 34.38 REF
 FULL-MINI CARD = 58.53 REF



SIDE BY SIDE LAYOUT FOR ASSEMBLY(CONNECTOR+CLIP+MODULE CARD+P.C.B)

1.10 REF
 31.00 REF
 60.90 REF

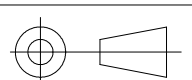


SINGLE LAYOUT FOR ASSEMBLY(CONNECTOR+CLIP+MODULE CARD+P.C.B)

29.90 REF

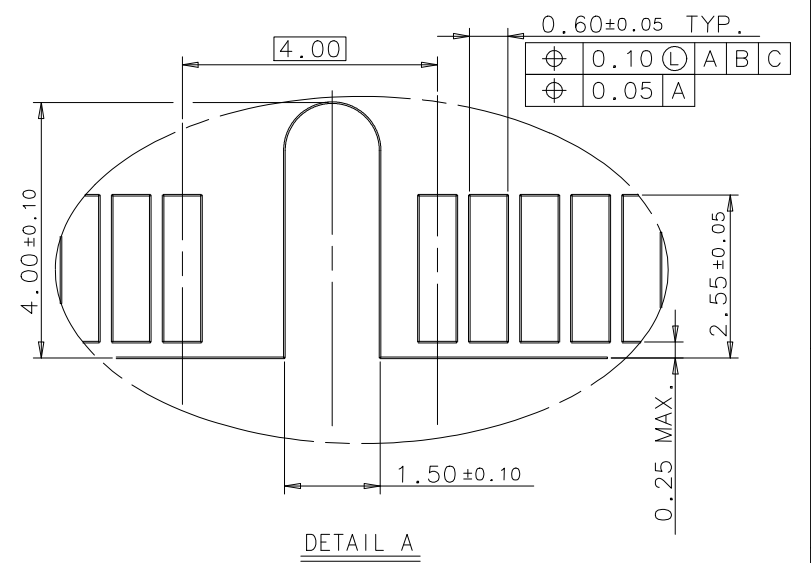
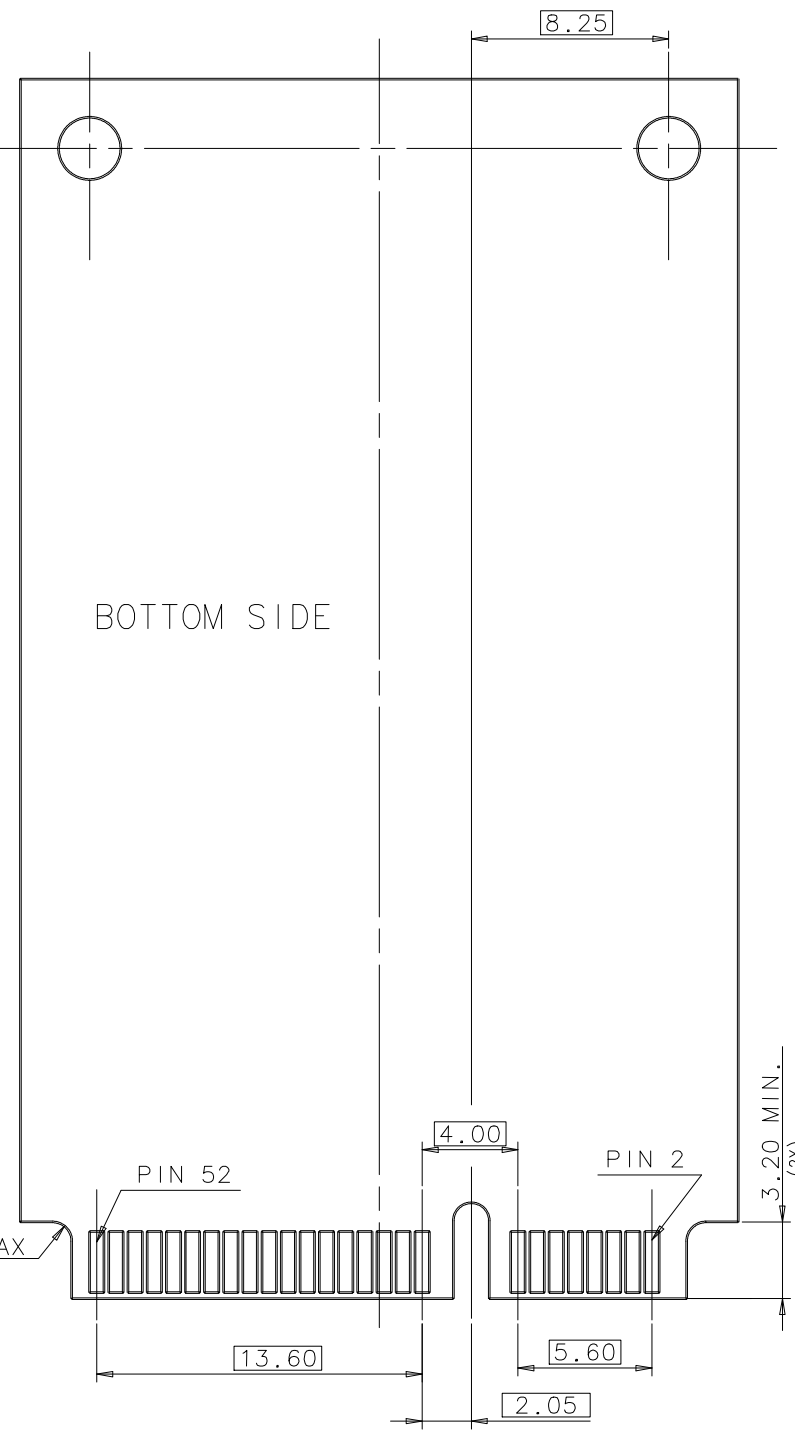
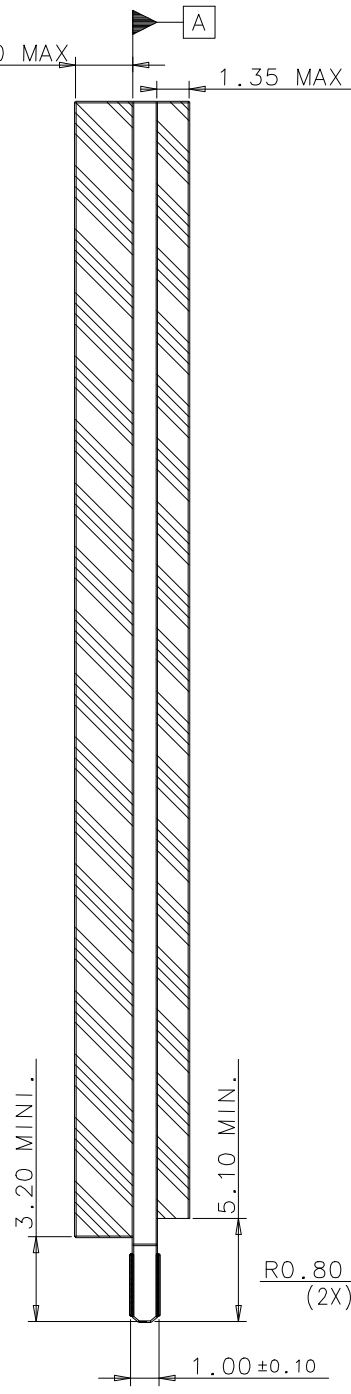
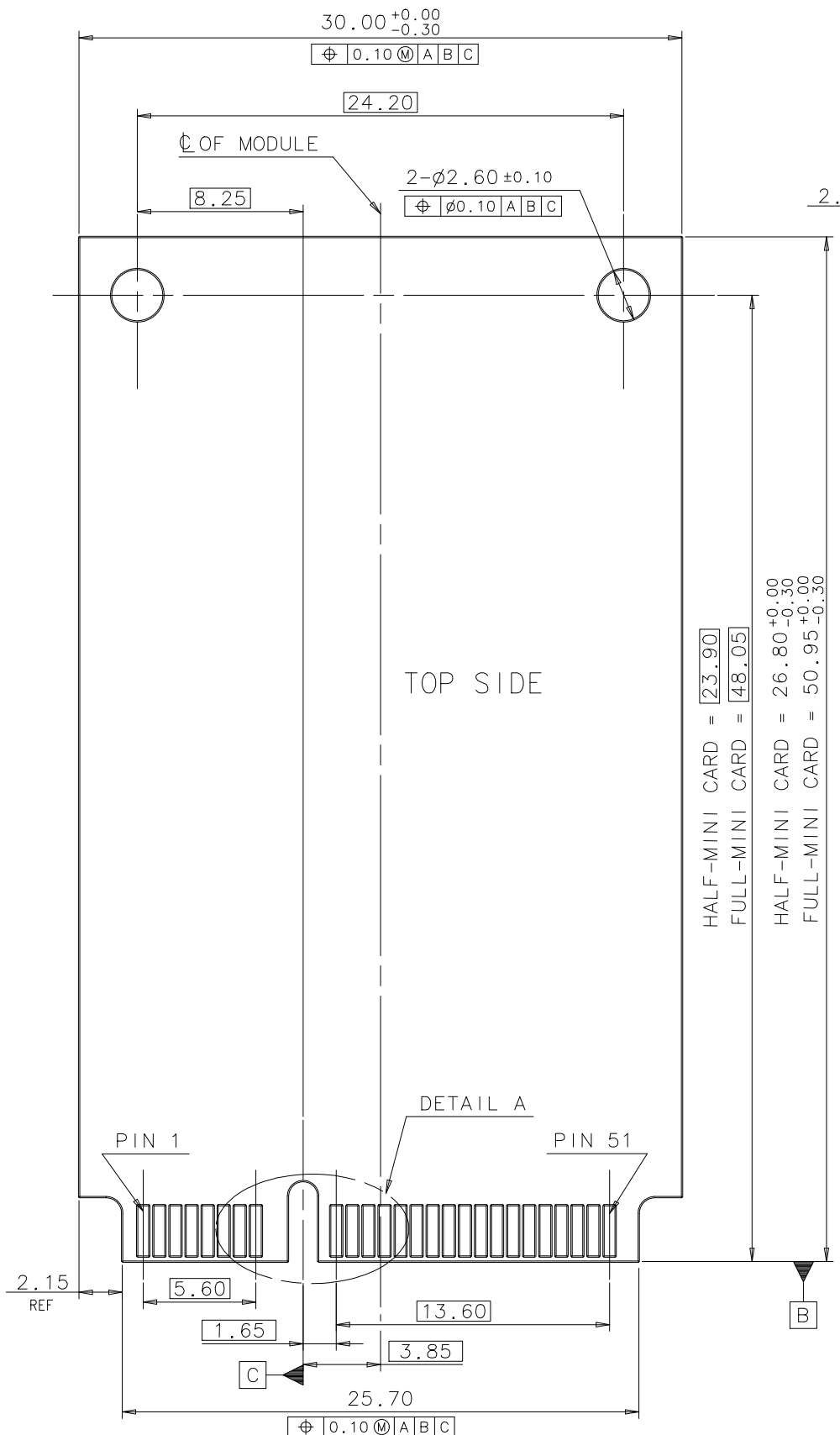
PCB BOARD

x. ± 0.15	x° ±	UNITS	mm	NAME (INTENDED USE)	FOXCONN HON HAI PRECISION IND. CO., LTD. TAIPEI, TAIWAN, R.O.C.			
.x ± 0.10	.x° ±			MAT'L		MINI PCI EXPRESS CONNECTOR		
.xx ± 0.05	.xx° ±	FINISH		PART NO. (INTENDED USE)	TITLE:			
.xxx ±	.xxx° ±			ASOB22*-S52*-7H	CUSTOMER DRAWING			
THESE DRAWINGS AND SPECIFICATIONS ARE THE PROPERTY OF HON HAI PRECISION IND. CO., LTD. AND SHALL NOT BE REPRODUCED, COPIED OR USED IN ANY MANNER WITHOUT THE PRIOR WRITTEN CONSENT OF HON HAI PRECISION IND. CO., LTD.				APPD: Herry Yang	DWG NO.:			
				317-0000-2008		SCALE	SHEET	REV.
				CHKD: Alex Wong		N/A	3/7	C
				DR: Wang Justin 6/1'11				



IDEAS GENERATED DRAWING, DO NOT CHANGE BY HAND

REV.	ECN.	NO.	APPD.



HALF-MINI CARD = 23.90
 FULL-MINI CARD = 48.05
 HALF-MINI CARD = 26.80 +0.00/-0.30
 FULL-MINI CARD = 50.95 +0.00/-0.30

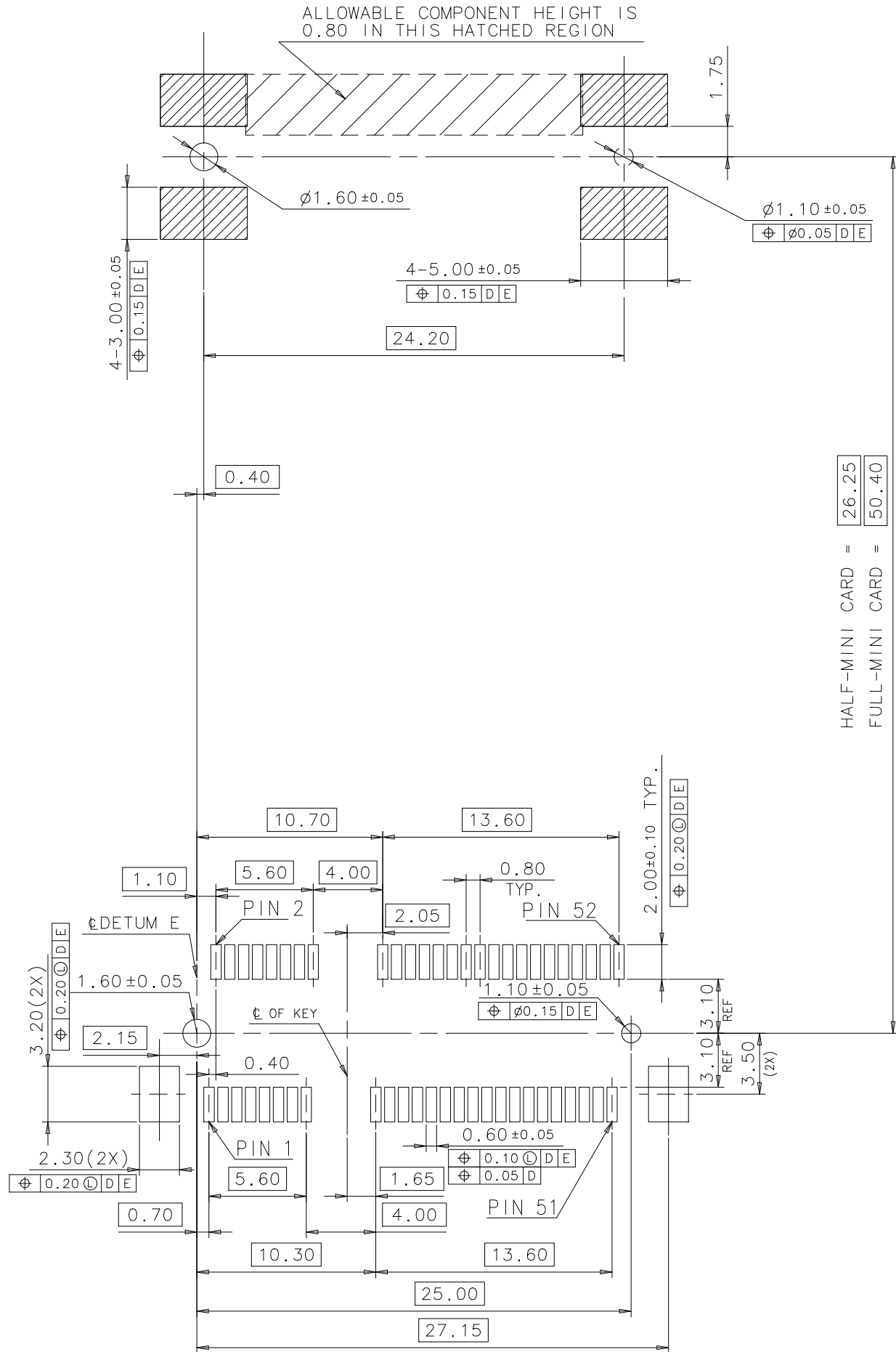
MINI PCI EXPRESS MODULE BOARD

x. ± 0.15	x° ±	UNITS	mm	NAME (INTENDED USE)	FOXCONN HON HAI PRECISION IND. CO., LTD. TAIPEI, TAIWAN, R.O.C.	
.x ± 0.10	.x° ±	MAT'L		MINI PCI EXPRESS CONNECTOR		
.xx ± 0.05	.xx° ±	FINISH		PART NO. (INTENDED USE)	TITLE:	
.xxx ±	.xxx° ±	Q'TY		AS0B22*-S52*-7H	CUSTOMER DRAWING	
THESE DRAWINGS AND SPECIFICATIONS ARE THE PROPERTY OF HON HAI PRECISION IND. CO., LTD. AND SHALL NOT BE REPRODUCED, COPIED OR USED IN ANY MANNER WITHOUT THE PRIOR WRITTEN CONSENT OF HON HAI PRECISION IND. CO., LTD.				APPD: Herry Yang	DWG NO.:	
				CHKD: Alex Wong	317-0000-2008	
				DR: Wang Justin 6/1'11		
				SCALE	SHEET	REV.
				N/A	4/7	C

IDEAS GENERATED DRAWING, DON'T CHANGE BY HAND

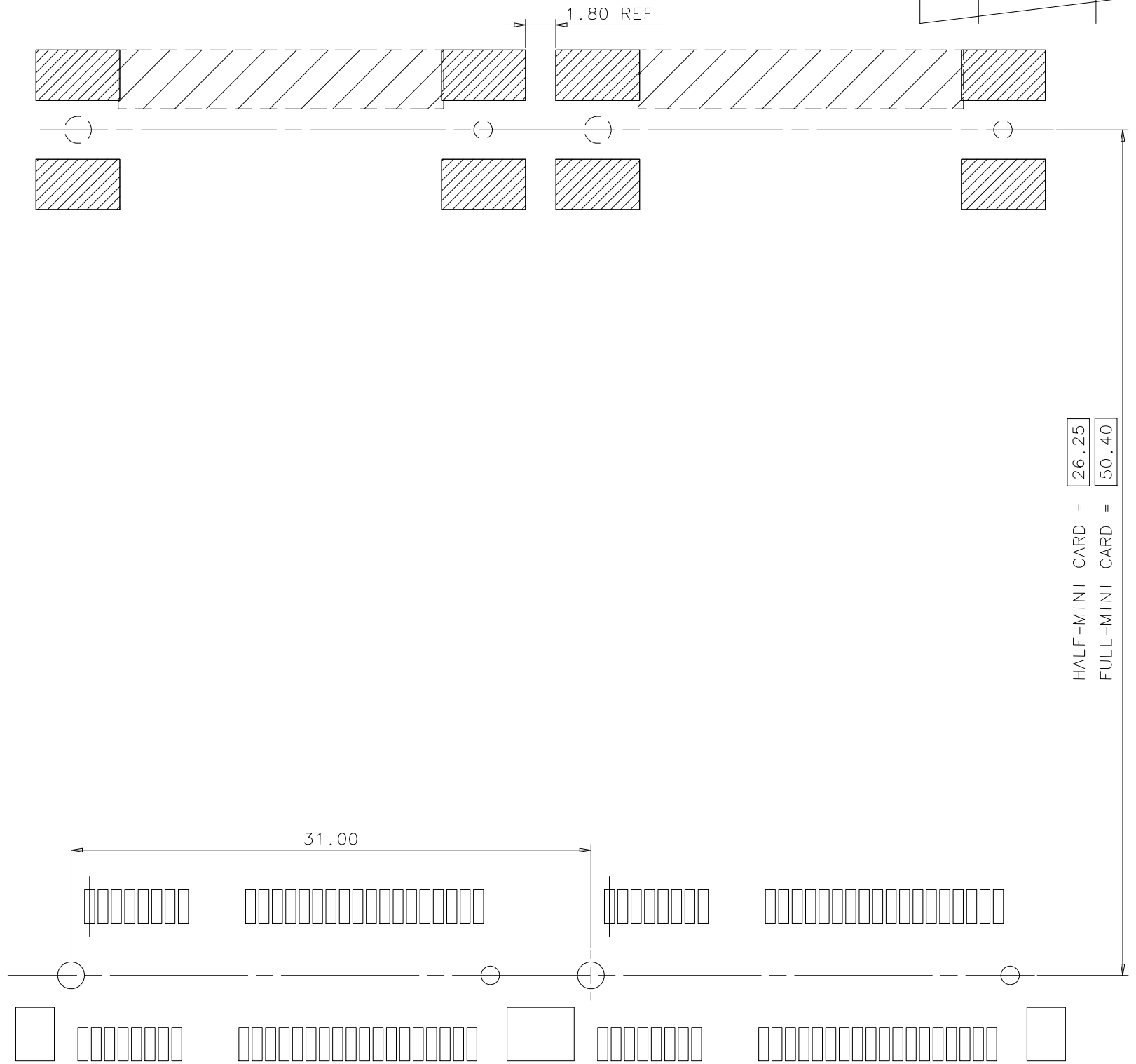
REV.	ECN.	NO.	APPD.
------	------	-----	-------

ALLOWABLE COMPONENT HEIGHT IS 0.80 IN THIS HATCHED REGION



RECOMMENDED PCB LAYOUT
*DATUM D IS THE TOP SURFACE OF PCB

HALF-MINI CARD = 26.25
FULL-MINI CARD = 50.40



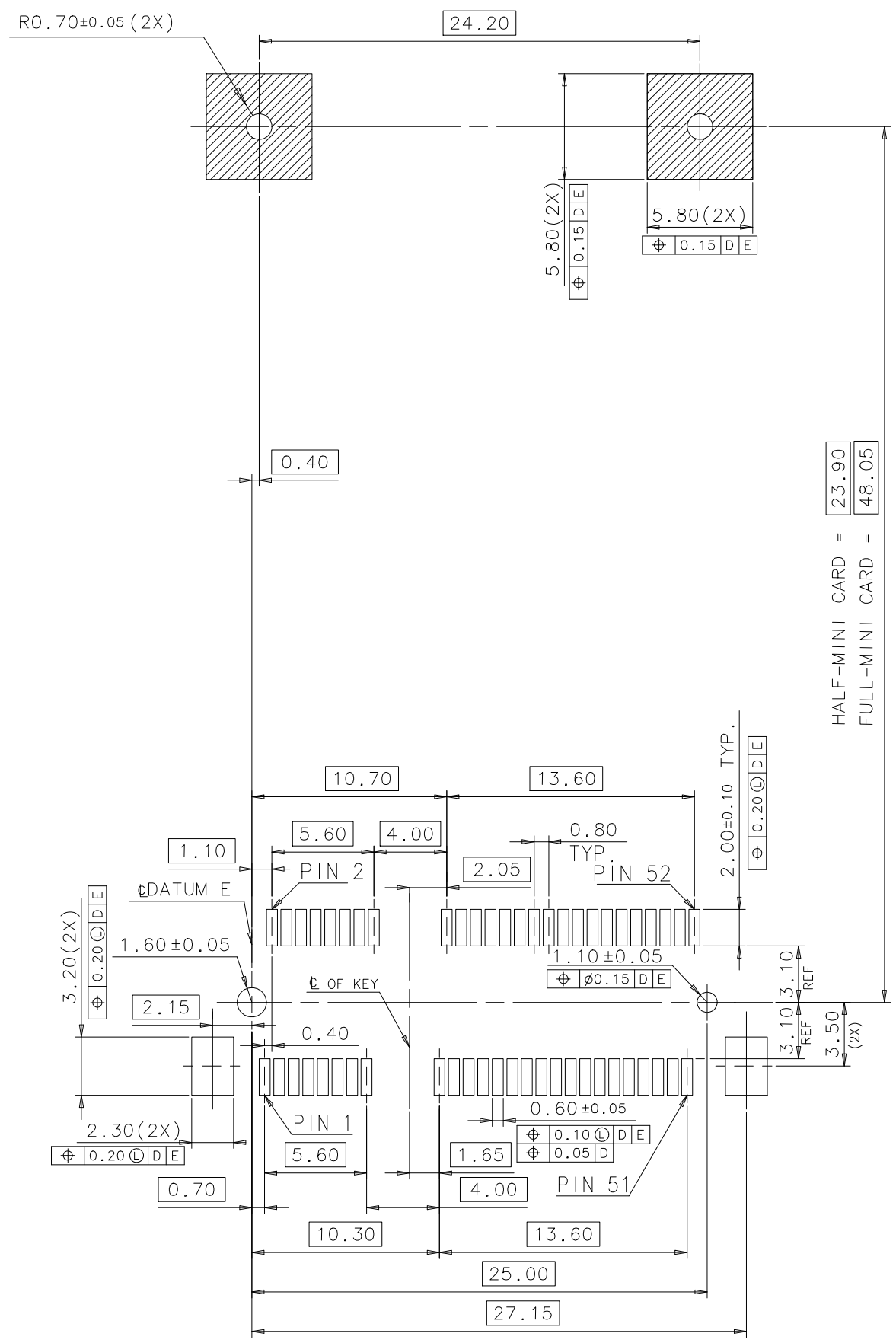
RECOMMENDED SIDE BY SIDE PCB LAYOUT

HALF-MINI CARD = 26.25
FULL-MINI CARD = 50.40

x. ± 0.15	x° ±	UNITS mm	NAME (INTENDED USE)	FOXCONN HON HAI PRECISION IND. CO., LTD. TAIPEI, TAIWAN, R.O.C.						
.x ± 0.10	.x° ±	MAT'L	MINI PCI EXPRESS CONNECTOR							
.xx ± 0.05	.xx° ±	FINISH	PART NO. (INTENDED USE)	TITLE:						
.xxx ±	.xxx° ±		ASOB22*-S52*-7H	CUSTOMER DRAWING						
THESE DRAWINGS AND SPECIFICATIONS ARE THE PROPERTY OF HON HAI PRECISION IND. CO., LTD. AND SHALL NOT BE REPRODUCED, COPIED OR USED IN ANY MANNER WITHOUT THE PRIOR WRITTEN CONSENT OF HON HAI PRECISION IND. CO., LTD.			APPD: Herry Yang	DWG NO.:						
			CHKD: ZH.Wang	317-0000-2008						
			DR: Wang Justin 6/1'11	<table border="1"> <tr> <td>SCALE</td> <td>SHEET</td> <td>REV.</td> </tr> <tr> <td>N/A</td> <td>5/7</td> <td>C</td> </tr> </table>	SCALE	SHEET	REV.	N/A	5/7	C
SCALE	SHEET	REV.								
N/A	5/7	C								

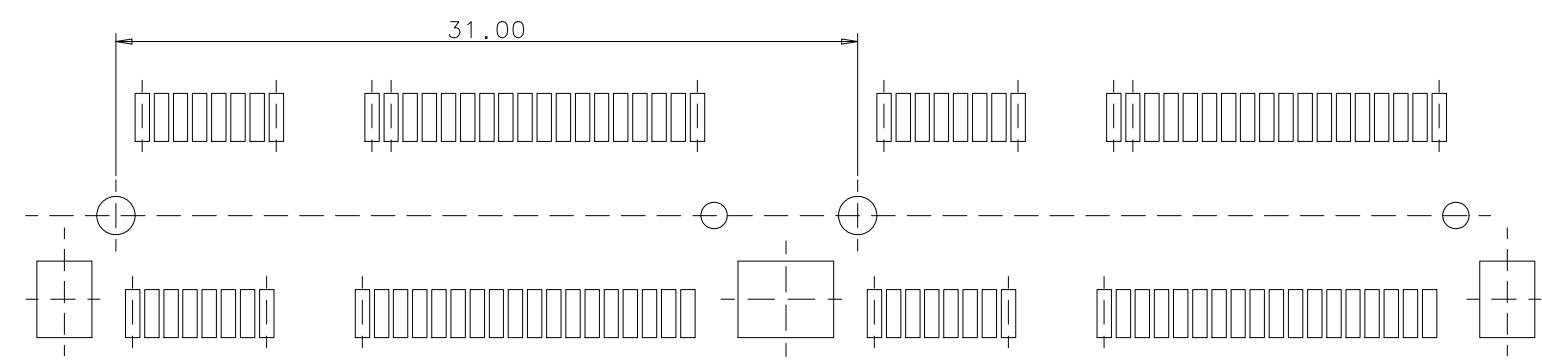
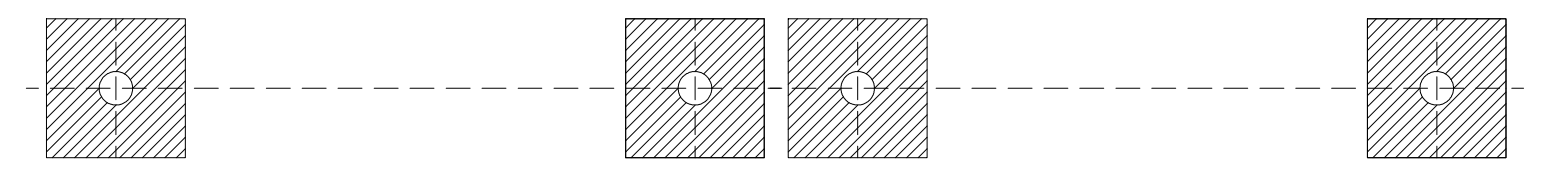
IDEAS GENERATED DRAWING, DO NOT CHANGE BY HAND

REV.	ECN.	NO.	APPD.



RECOMMENDED PCB LAYOUT(WITH NUT)
*DATUM D IS THE TOP SURFACE OF PCB

HALF-MINI CARD = 23.90
FULL-MINI CARD = 48.05

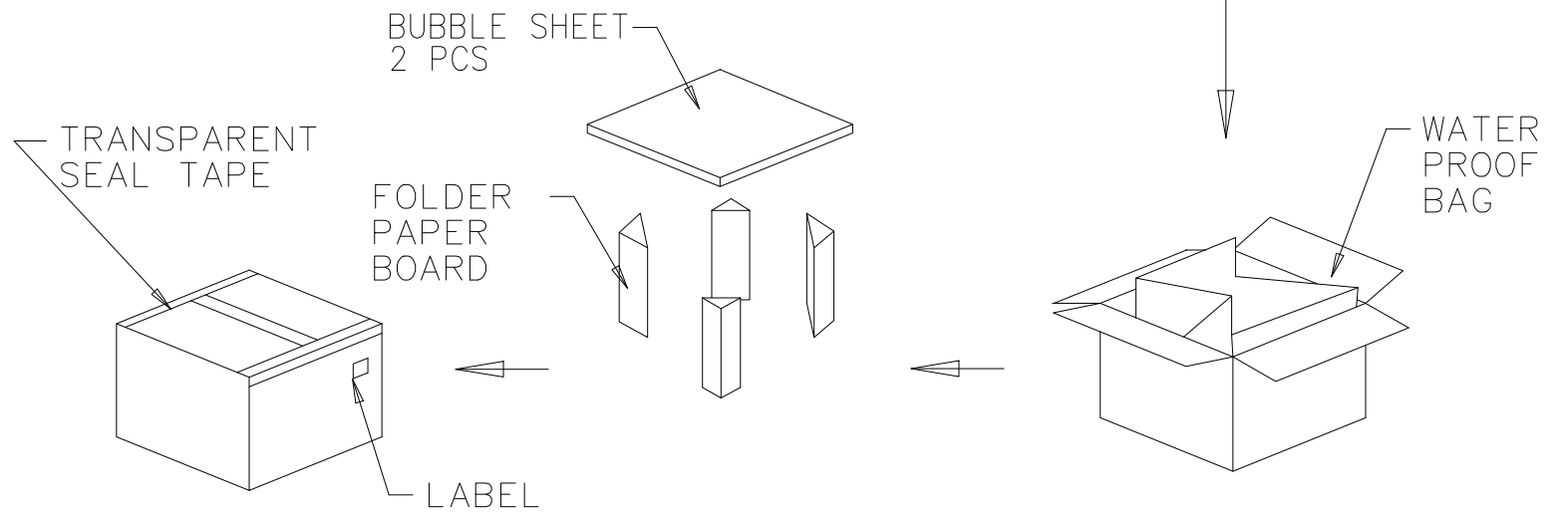
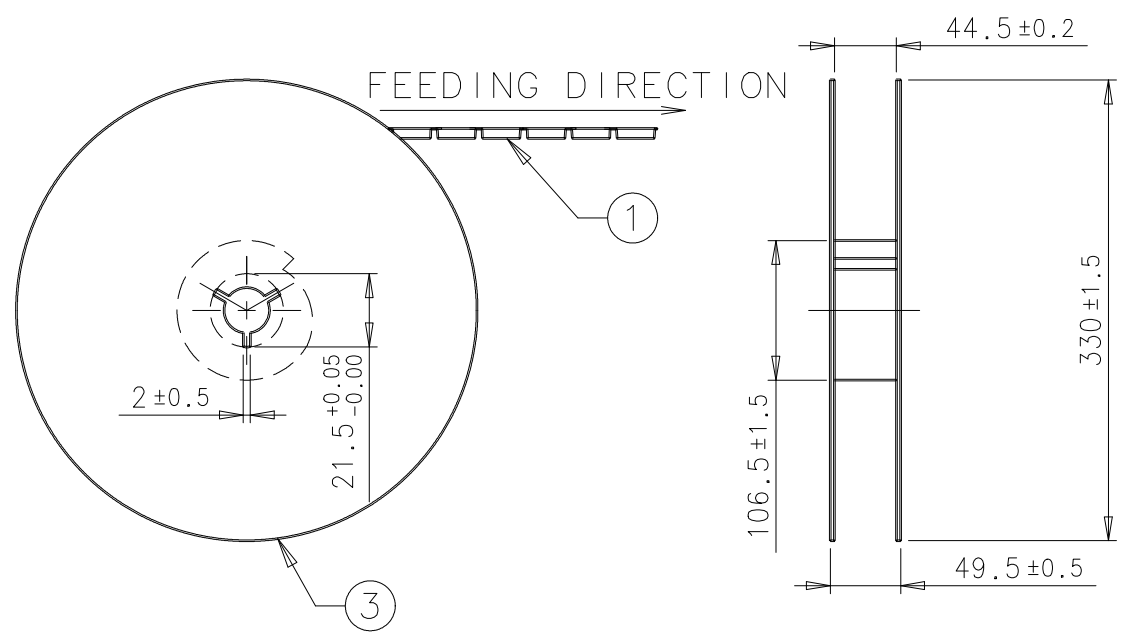
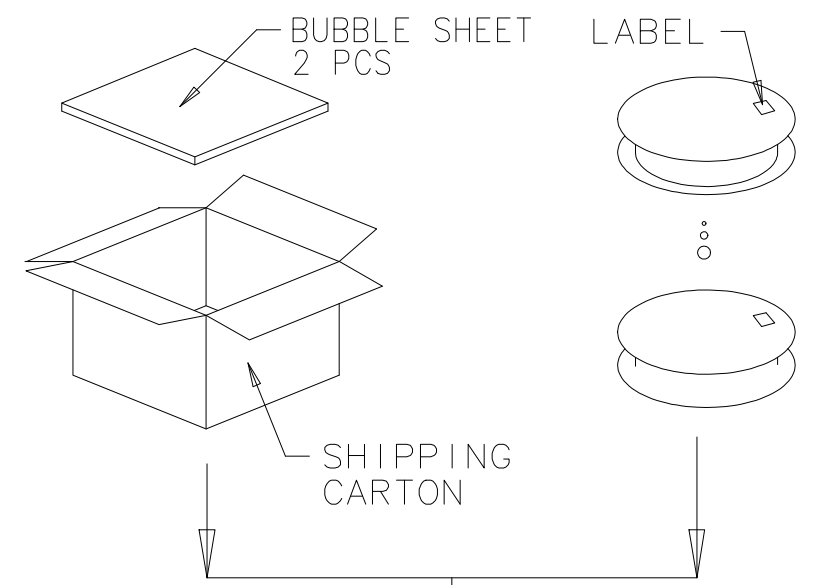
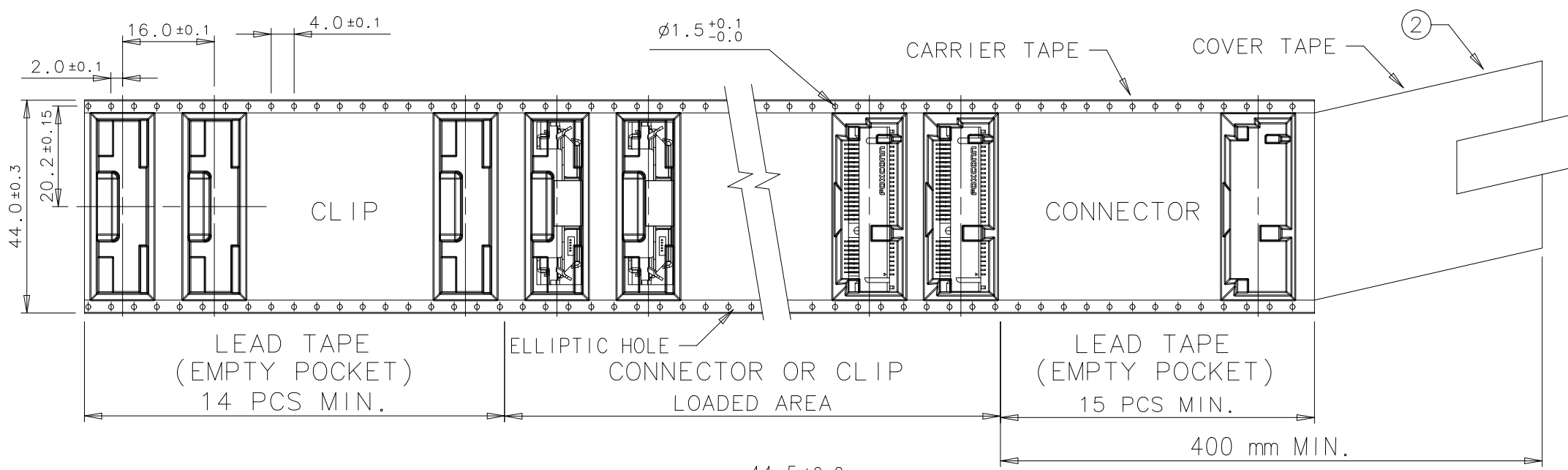


RECOMMENDED SIDE BY SIDE PCB LAYOUT(WITH NUT)

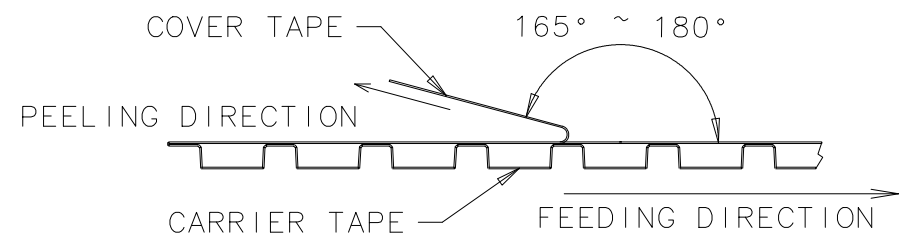
x. ± 0.15	x° ±	UNITS mm	NAME (INTENDED USE)	FOXCONN HON HAI PRECISION IND. CO., LTD. TAIPEI, TAIWAN, R.O.C.						
.x ± 0.10	.x° ±		MINI PCI EXPRESS CONNECTOR							
.xx ± 0.05	.xx° ±	MAT'L	PART NO. (INTENDED USE)	TITLE:						
.xxx ±	.xxx° ±		FINISH	ASOB22*-S52*-7H	CUSTOMER DRAWING					
THESE DRAWINGS AND SPECIFICATIONS ARE THE PROPERTY OF HON HAI PRECISION IND. CO., LTD. AND SHALL NOT BE REPRODUCED, COPIED OR USED IN ANY MANNER WITHOUT THE PRIOR WRITTEN CONSENT OF HON HAI PRECISION IND. CO., LTD.			APPD: Herry Yang	DWG NO.:						
			Q'TY	317-0000-2008						
			CHKD: Alex Wong	<table border="1"> <tr> <td>SCALE</td> <td>SHEET</td> <td>REV.</td> </tr> <tr> <td>N/A</td> <td>6/7</td> <td>C</td> </tr> </table>	SCALE	SHEET	REV.	N/A	6/7	C
SCALE	SHEET	REV.								
N/A	6/7	C								
			DR: Wang Justin 6/1'11							

REV.	ECN.	NO.	APPD.

FEEDING DIRECTION



- NOTES:
- 10 POCKETS HOLE PITCH CUMULATIVE TOLERANCE $\pm 0.20\text{mm}$.
 - COVER TAPE PEELING STRENGTH : 0.01 kgf MIN & 0.13 kgf MAX. AT 300mm/min.



3. PACKING CAPACITY :

PART No.	PCS / REEL	REEL / BOX	PCS / BOX
ASOB22*-S52Q-7H	500	5	2500
ASOB22*-S52K-7H	500	5	2500

ITEM	DESCRIPTION	MATERIAL
③	REEL	POLYSTYRENE
②	COVER TAPE	POLYSTER
①	CARRIER TAPE	POLYSTYRENE

x. ± 0.30	x° ±	UNITS mm	NAME (INTENDED USE)	FOXCONN HON HAI PRECISION IND. CO., LTD. TAIPEI, TAIWAN, R.O.C.	
.x ± 0.25	.x° ±	MAT'L	MINI PCI EXPRESS CONNECTOR		
.xx ± 0.15	.xx° ±	FINISH	PART NO. (INTENDED USE)	TITLE:	
.xxx ±	.xxx° ±		ASOB22*-S52*-7H	CUSTOMER DRAWING	
THESE DRAWINGS AND SPECIFICATIONS ARE THE PROPERTY OF HON HAI PRECISION IND. CO., LTD. AND SHALL NOT BE REPRODUCED. COPIED OR USED IN ANY MANNER WITHOUT THE PRIOR WRITTEN CONSENT OF HON HAI PRECISION IND. CO., LTD.			APPD: Herry Yang	DWG NO.:	
			CHKD: Alex Wong	317-0000-2008	
			DR: Wang Justin 6/1'11		
			SCALE	SHEET	REV.
			N/A	7/7	C