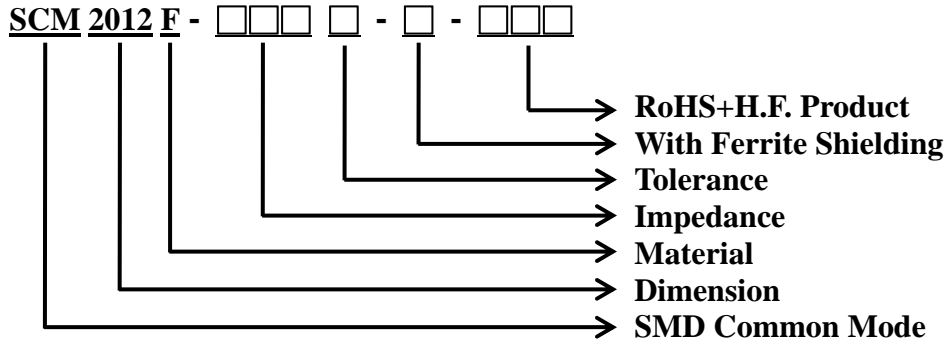


SPECIFICATION FOR APPROVAL

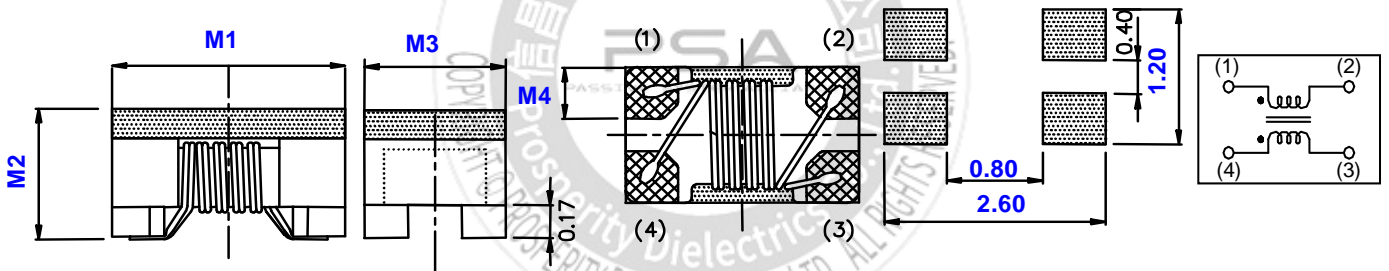
※This is a RoHS and REACH compliant product whose related documents are available on request.
 ※Graphic is only for dimensionally application.

1. SCOPE: THIS SPECIFICATION APPLIES TO WIRE WOUND CHIP INDUCTORS.

2. PART NUMBER IDENTIFICATION



3. MECHANICAL DIMENSION



SERIES	M1	M2	M3	M4
SCM2012F-XXXM-I-LRH	2.0 ± 0.2	1.20 ± 0.2	1.20 ± 0.2	0.40(TYP.)

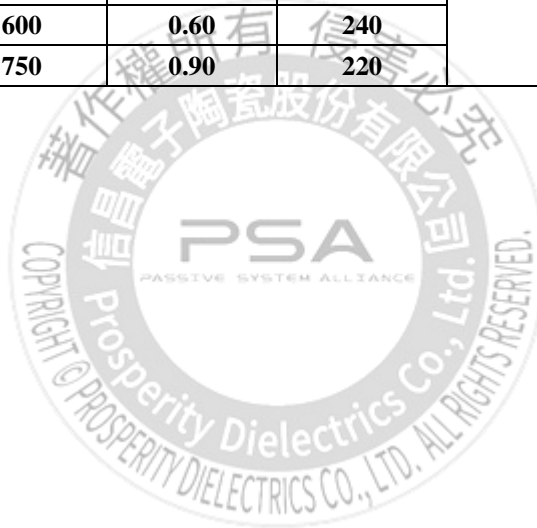
4. RATING TEMPERATURE

OPERATING TEMPERATURE RANGE: -25°C ~ +125°C

SPECIFICATION FOR APPROVAL

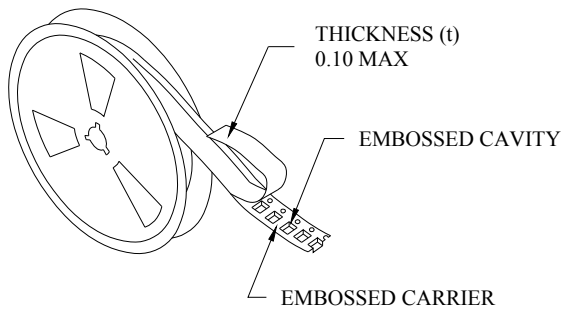
5. ELECTRICAL SPECIFICATION

Part number	Z (OHM) @100MHz ±20 %	DC Resistance (OHM) MAX.	RATE CURRENT (mA)	Rated Voltage (Vdc)	Withstand Voltage (Vdc)	Insulation Resistance @125VDC (MOHM) min.
SCM2012F-670M-I-LRH	67	0.25	400	50	125	10
SCM2012F-750M-I-LRH	75	0.30	400			
SCM2012F-900M-I-LRH	90	0.35	330			
SCM2012F-101M-I-LRH	100	0.35	330			
SCM2012F-121M-I-LRH	120	0.30	370			
SCM2012F-161M-I-LRH	160	0.35	350			
SCM2012F-181M-I-LRH	180	0.35	330			
SCM2012F-201M-I-LRH	200	0.40	300			
SCM2012F-221M-I-LRH	220	0.40	300			
SCM2012F-261M-I-LRH	260	0.40	300			
SCM2012F-361M-I-LRH	360	0.50	300			
SCM2012F-371M-I-LRH	370	0.45	280			
SCM2012F-431M-I-LRH	430	0.55	280			
SCM2012F-601M-I-LRH	600	0.60	240			
SCM2012F-751M-I-LRH	750	0.90	220			

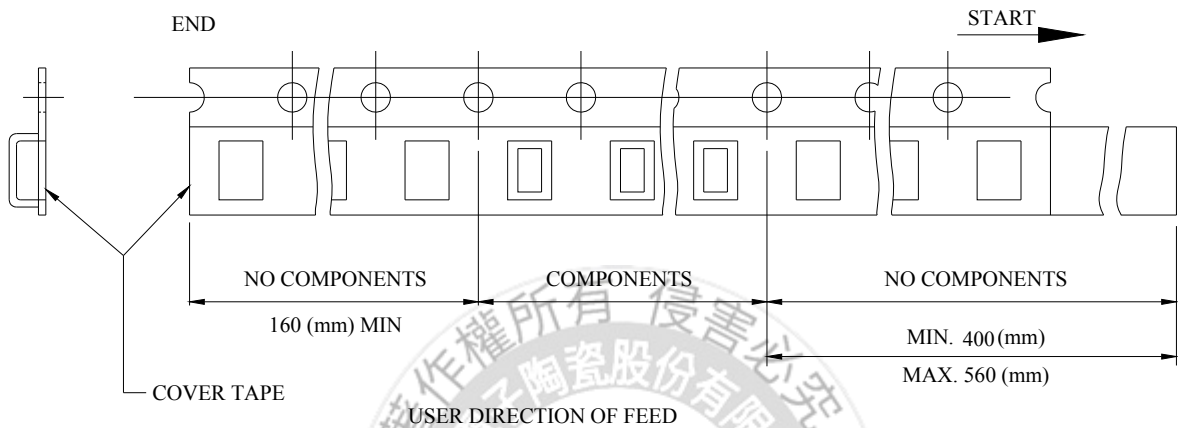
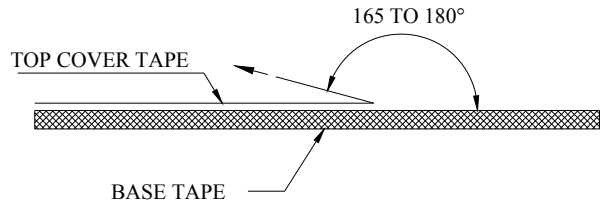


SPECIFICATION FOR APPROVAL

6. PACKING



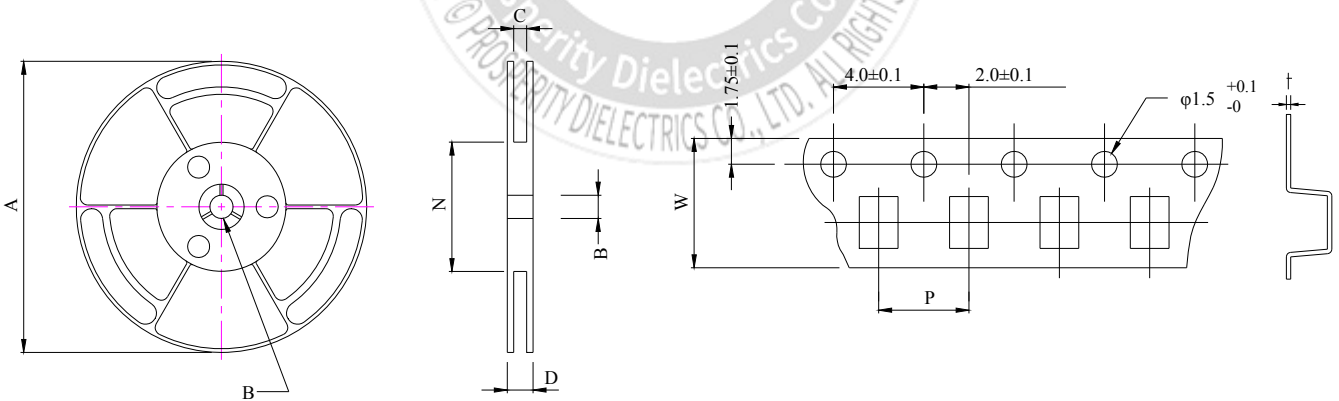
- THE FORCE FOR TEARING OFF COVER TAPE IS 10 TO 100 GRAMS IN THE ARROW DIRECTION.



■ CARRIER TAPE REELS (mm)

MATERIAL: PLASTIC

■ DIMENSIONS OF CARRIER TAPE (mm)

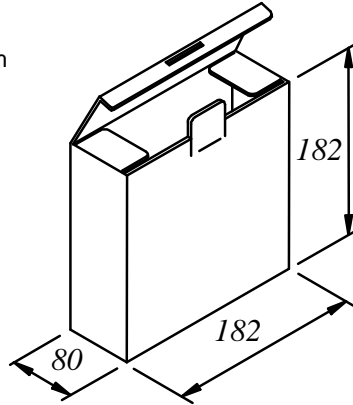


UNIT: mm

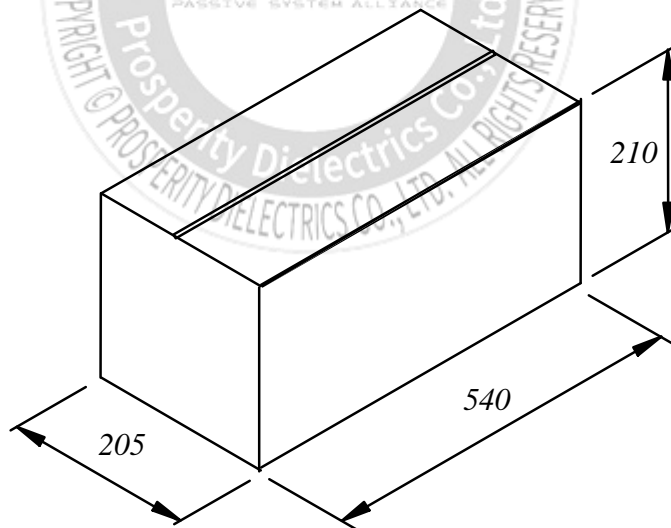
	A	B	C	D	N	P	W	t
DIM.	178	13.0	8.4	12.5	75	4.0	8.00	0.23
TOL.	±2.0	±0.8	+1.0-0	MAX	±1.5	±0.10	±0.20	±0.05

SPECIFICATION FOR APPROVAL

UNIT : mm



- CONSTRUCTION:
THE CASE CONTAINS 5-8mm WIDE CARRIER TAPES.
Q'TY : 2,000 / REEL



TOTAL Q'TY : 60,000PCS