

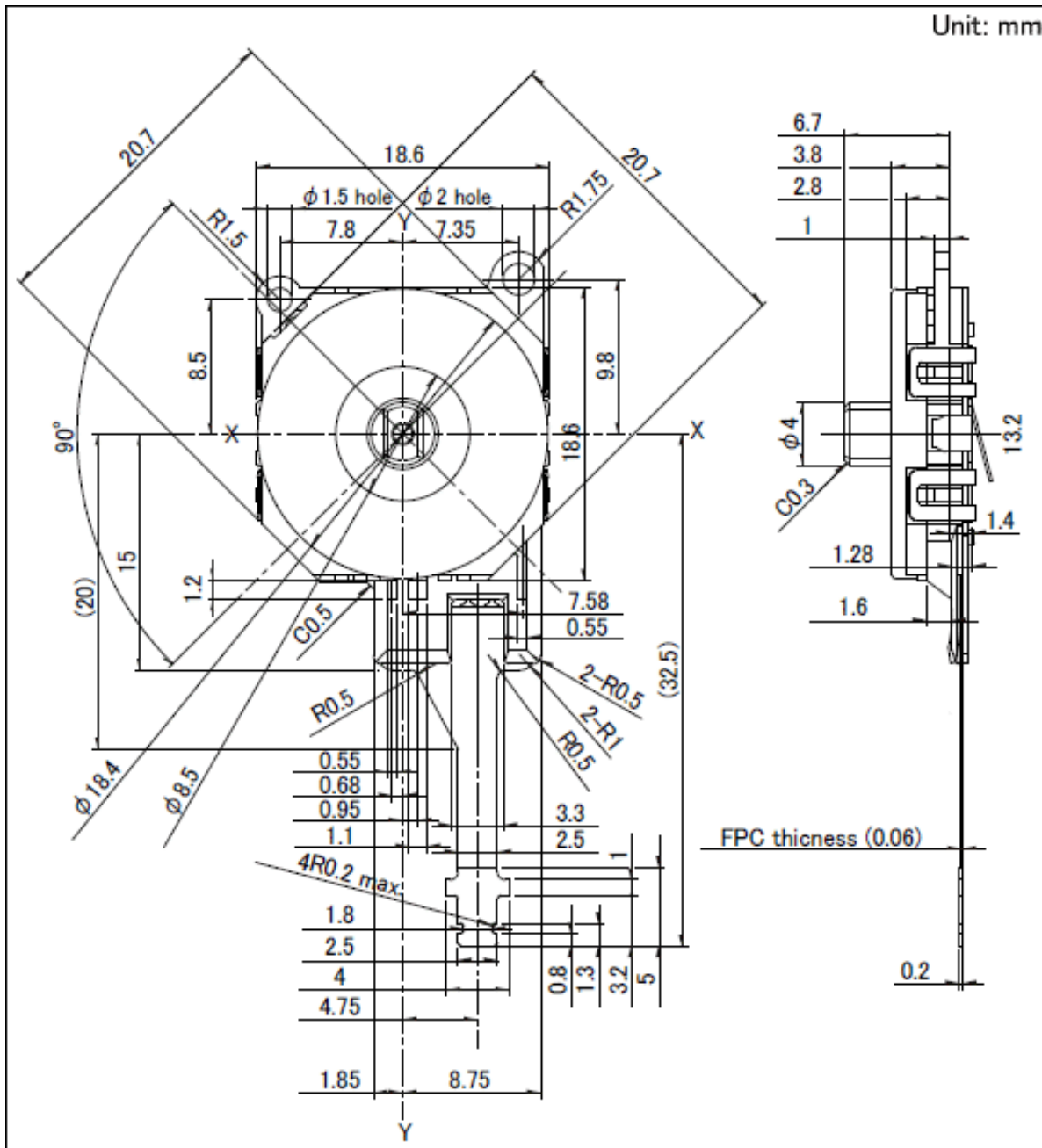
## Slide Lever Type (ThumbPointer™) RKJXU Series

Part number	<b>RKJXU1210006</b>		
Number of operating shafts	Single-shaft		
Shaft material	Resin		
Lever return mechanism	With		
Lever travel	2.0(+0.2, 0)mm		
Resistance taper	B		
Total resistance	10kΩ		
Operating temperature range	-10°C to +70°C		
Electrical performance	Directional resolution	Continuous	
	Rated power	0.025W	
	Slider noise	300mV p-p max. by JIS method	
Mechanical performance	Directional operating force	0.75±0.3N	
	Lever return precision	8°	
	Actuator strength	Push/pull directions	100N/30N min. (Push/Pull)
		Operating direction	30mN · m
Durability	Operating life	2,000,000 cycles	
Environmental performance	Cold	-30±2°C for 96h	
	Dry heat	80±2°C for 96h	
	Damp heat	60±2°C, 90 to 95%RH for 96h	

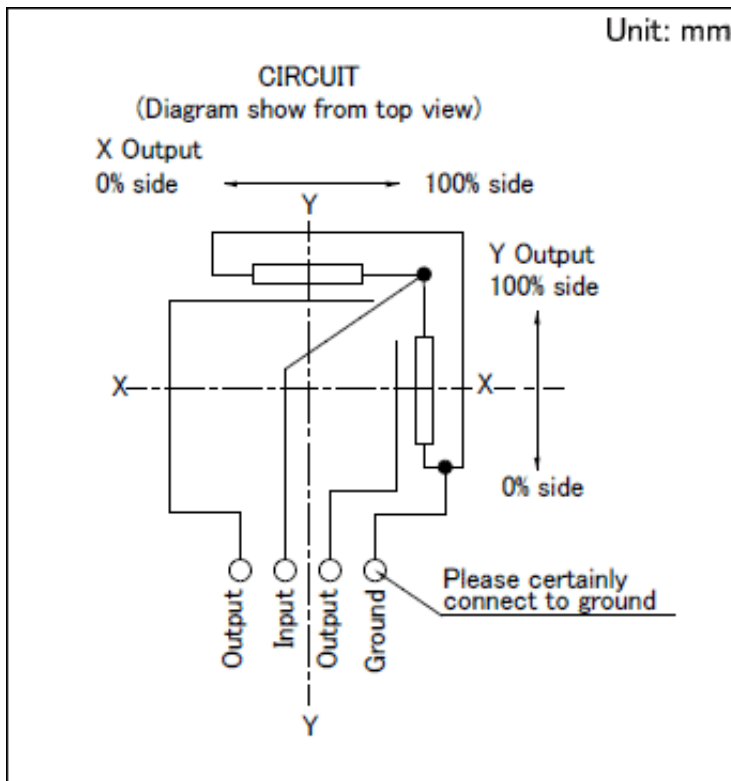
### Photo



Dimensions



## Circuit Diagram



## Packing Specifications

### Tray

Number of packages (pcs.)	1 case / Japan	2,000
	1 case / export packing	2,000

Export package measurements (mm)      360×540×230

### Notes are common to this series/models.

1. This site catalog shows only outline specifications. When using the products, please obtain formal specifications for supply.
2. Please place purchase orders per minimum order unit (integer).