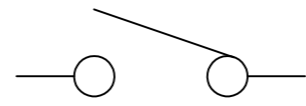
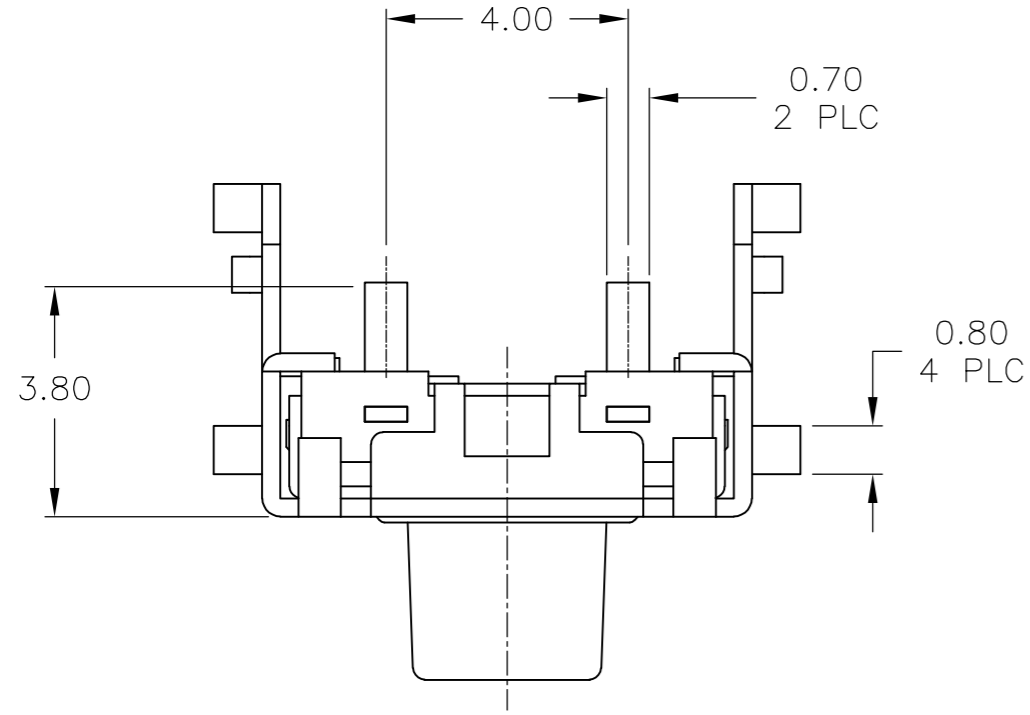


THIS DRAWING IS UNPUBLISHED. RELEASED FOR PUBLICATION  
 © COPYRIGHT - By - ALL RIGHTS RESERVED.

LOC		DIST		REVISIONS			
P	LTR	DESCRIPTION		DATE	DWN	APVD	
AD	00	K	REVISED PER ECO-15-011477	13AUG2015	NK	RH	



CIRCUIT DIAGRAM

SPECIFICATIONS

MATERIALS

CASE: THERMOPLASTIC, UL94V-0, BLACK  
 ACTUATOR: THERMOPLASTIC, UL94V-0, BLACK  
 COVER: NICKEL SILVER  
 SEAL: SILICON RUBBER, BLACK  
 CONTACT: STAINLESS STEEL, PLATING-SILVER  
 TERMINAL: BRASS, PLATING-SILVER/NICKEL  
 BRACKET: CARBON STEEL, PLATING-TIN/NICKEL

ELECTRICAL

MAX CONTACT RATING: 50MILLIAMPS@24V DC  
 MIN CONTACT RATING: 10MICROAMPS@1V DC  
 INITIAL CONTACT RESISTANCE: 100 MILLIOHMS MAX, PER EIA RS-448, METHOD 1  
 INSULATION RESISTANCE: 100 MEGOHMS MIN @ 100VDC PER EIA RS-186-13E  
 DIELECTRIC STRENGTH: 500 VAC 50/60 Hz FOR 1 MINUTE PER EIA RS-186-4E  
 CONTACT BOUNCE: 10 MILLISECOND MAX PER EIA-448-18, METHOD 15

MECHANICAL

ACTUATOR OPERATING FORCE: SEE TABLE  
 ACTUATOR TRAVEL: 0.35±0.2mm

DURABILITY

UP TO 1,000,000 CYCLES, AT RATED LOAD PER EIA-RS-448, METHOD 8  
 FINAL CONTACT RESISTANCE: 200 MILLIOHMS MAX  
 CONTACT BOUNCE: 20 MILLISECONDS MAX  
 ACTUATOR FORCE: WITHIN ±30% OF INITIAL VALUE

ENVIRONMENTAL

OPERATING TEMPERATURE RANGE: -35°C to +85°C  
 STORAGE TEMPERATURE RANGE: -35°C to +85°C  
 HUMIDITY: 96 HOURS PER EIA-186-1E  
 INSULATION RESISTANCE: 10 MEGOHMS MIN  
 DIELECTRIC STRENGTH: 250VAC  
 CONTACT RESISTANCE: 100 MILLIOHMS MAX  
 DRY HEAT TEST: 85°C FOR 96 HOURS PER IEC 60068-2-2, TEST B,  
 NO CHANGE IN INITIAL ELECTRICAL AND MECHANICAL CHARACTERISTICS  
 COLD TEST: -35°C FOR 96 HOURS PER IEC 60068-2-1, TEST A;  
 NO CHANGE IN INITIAL ELECTRICAL AND MECHANICAL CHARACTERISTICS  
 THERMAL CYCLING: 5 CYCLES, -35°C to +85°C  
 HUMIDITY-TEMPERATURE CYCLING, EIA 364-31B, METHOD III  
 CONTACT RESISTANCE 100 MILLIOHMS MAX  
 RESISTANCE TO SOLDERING HEAT PER 109-202, COND B

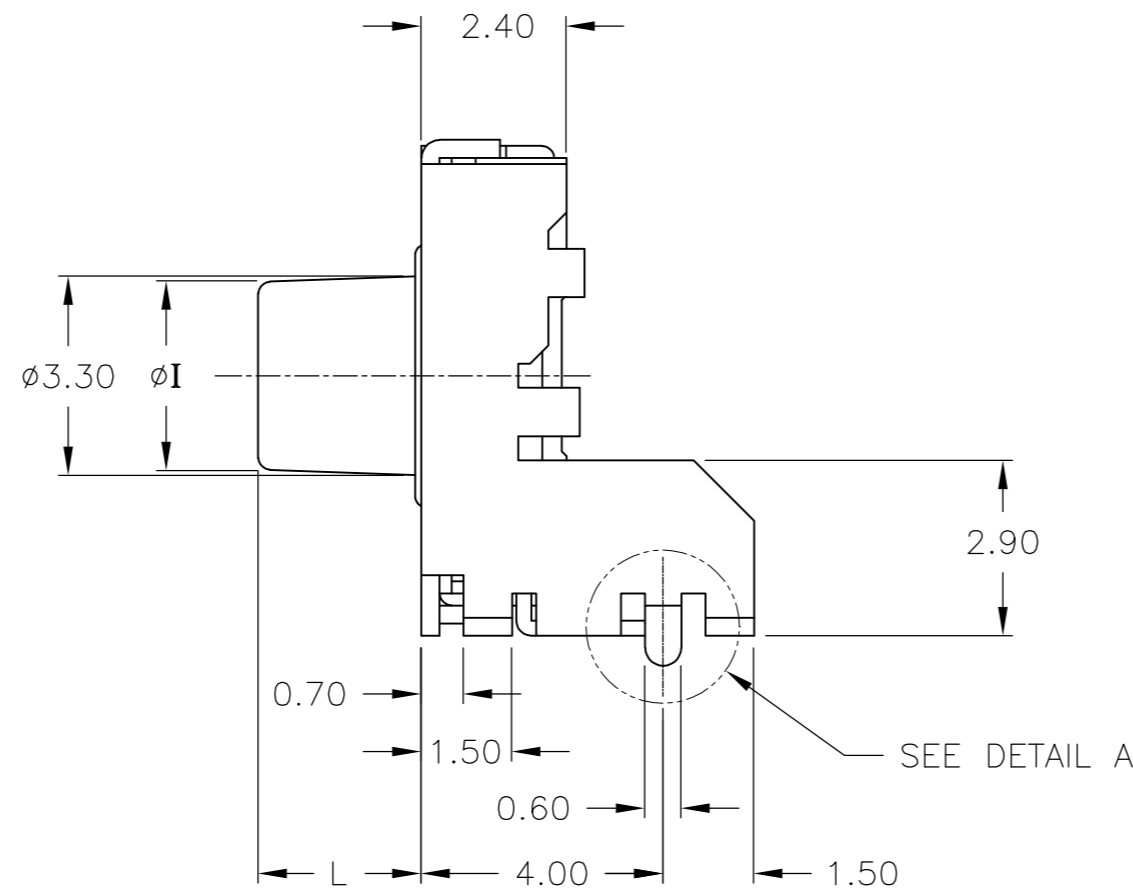
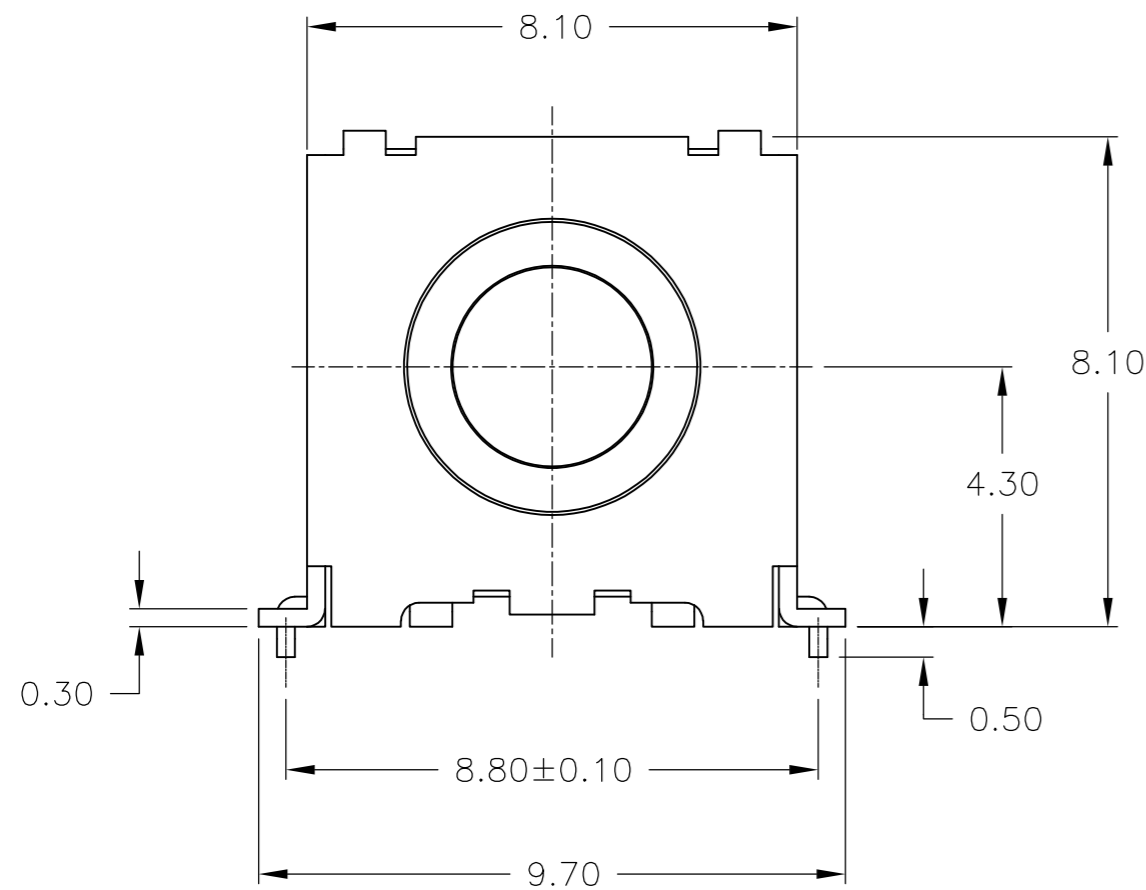
SOLDERABILITY: PER EIA RS-186-9E

SEALED PER IP67

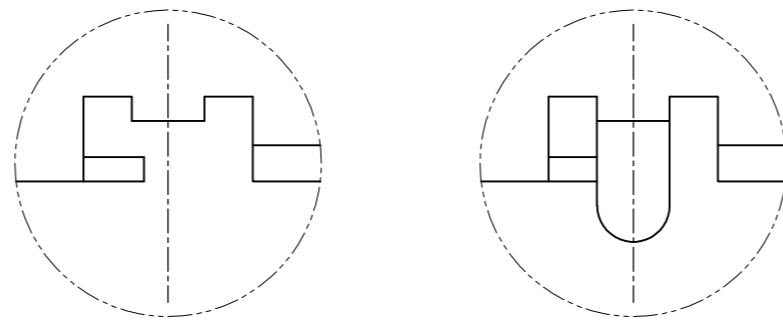
NOTES:

- ALL MATERIALS AND FINISHES SHALL COMPLY WITH EU DIRECTIVE 2002/95/EC OF 27JAN2003 (ROHS)

	WITH GUIDE PIN	T/R	130±50gf	3.1	2.7	1571300-3
	WITH GUIDE PIN	BULK	130±50gf	3.1	2.7	1571300-2
OBSOLETE	WITHOUT GUIDE PIN	BULK	130±50gf	3.1	2.7	1571300-1
	DETAIL A	PACKAGING	OPERATING FORCE	I	L	TE PART NUMBER

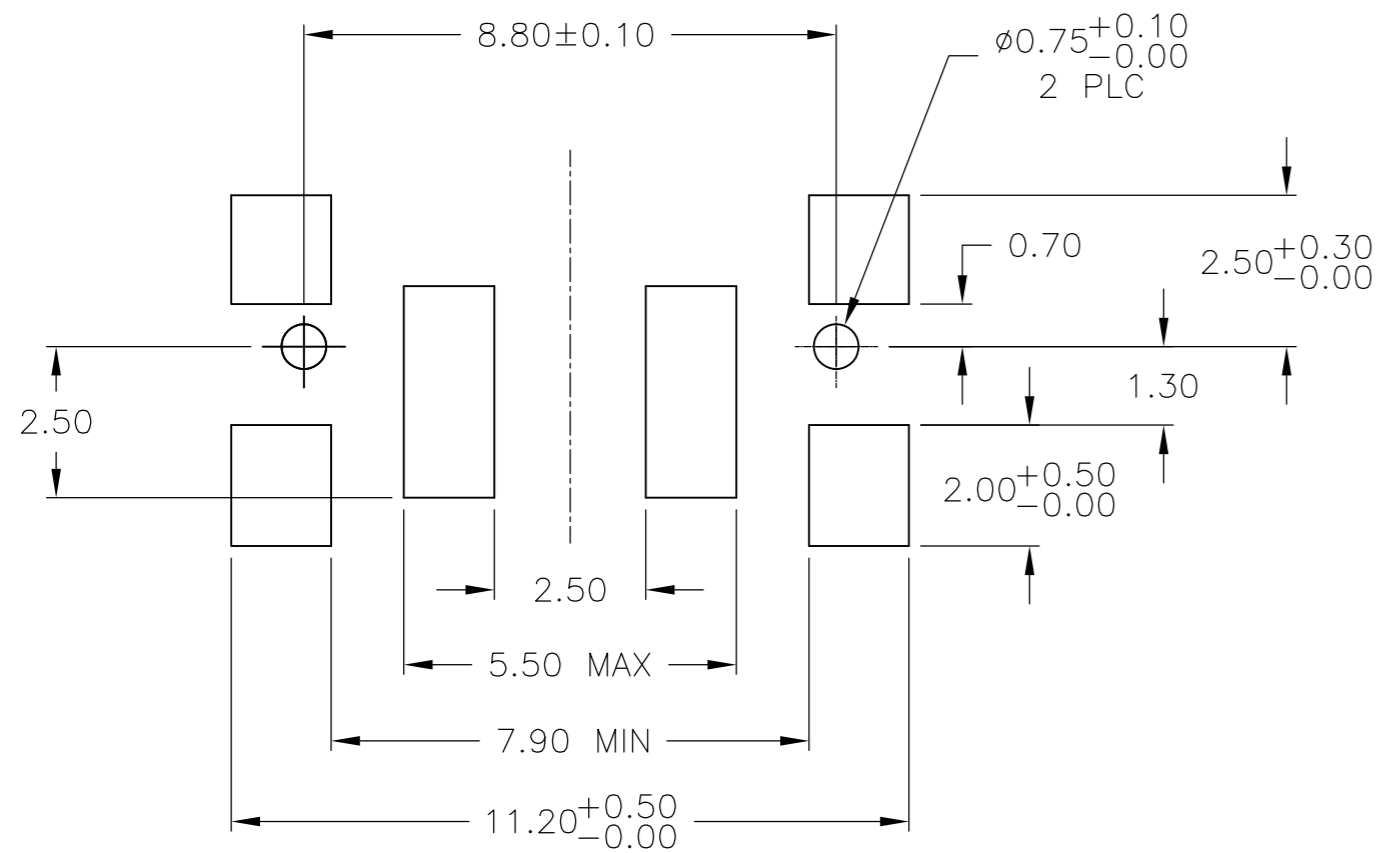


SEE DETAIL A



WITHOUT GUIDE PIN WITH GUIDE PIN

DETAIL A



P.C.B MOUNTING SOLDER LAND DIMENSION

THIS DRAWING IS A CONTROLLED DOCUMENT.		DWN R BROWN 18DEC02				
DIMENSIONS: mm		CHK M SARVER 18DEC02				
TOLERANCES UNLESS OTHERWISE SPECIFIED:		APVD M SARVER 18DEC02	NAME SWITCH ASSEMBLY, TACTILE, RIGHT ANGLE, SMT, SEALED			
0 PLC ± -		PRODUCT SPEC	SIZE A2			
1 PLC ± -		APPLICATION SPEC	CAGE CODE 00779			
2 PLC ± 0.30			DRAWING NO C=1571300			
3 PLC ± -			RESTRICTED TO			
4 PLC ± -			SCALE 8:1			
ANGLES ± -			SHEET 1 of 2			
FINISH		WEIGHT -	REV K			
MATERIAL		CUSTOMER DRAWING				

4

3

2

1

THIS DRAWING IS UNPUBLISHED. RELEASED FOR PUBLICATION  
 © COPYRIGHT - By - ALL RIGHTS RESERVED.

LOC	DIST	REVISIONS			
P	LTR	DESCRIPTION	DATE	DWN	APVD
AD	00	-	-	-	-
-		SEE SHEET 1	-	-	-

### THE DIMENSION OF CARRIER TAPE, COVER TAPE AND REEL

### THE DIRECTION OF PILOT HOLES

Detailed technical drawings showing dimensions for carrier tape, cover tape, and reel. The carrier tape section includes a top view with dimensions: 4.0, 2.0, 1.75, 11.5, 24.0, 12.0, and a circular view with dimensions 100 and 330. The reel section shows a circular view with a diameter of 100 and a radius of 330. A detail of 'A' shows a cross-section with dimensions 2.5 and 26.0.

Technical drawings showing the direction of pilot holes for carrier tape and cover tape. A cross-section shows the carrier tape and cover tape with pilot holes. A circular view of the reel shows a label and the reel itself. Drawing directions are indicated for both sections.

### END TAPE

Technical drawings of the end tape and adhesive area. A side view shows the carrier tape, cover tape, end tape, and reel. A detail of the adhesive area shows dimensions: 5.0 MAX, 30.0 MAX, and 8.0~10.0.

THIS DRAWING IS A CONTROLLED DOCUMENT.		DWN	R BROWN	18DEC02
		CHK	M SARVER	18DEC02
		APVD	M SARVER	18DEC02
DIMENSIONS: mm		NAME		
TOLERANCES UNLESS OTHERWISE SPECIFIED:		SWITCH ASSEMBLY, TACTILE, RIGHT ANGLE, SMT, SEALED		
0 PLC	± -	SIZE	A2	
1 PLC	± -	CAGE CODE	00779	
2 PLC	± 0.30	DRAWING NO	C=1571300	
3 PLC	± -	RESTRICTED TO	-	
4 PLC	± -	SCALE	8:1	
ANGLES	± -	SHEET	2 of 2	
FINISH	-	REV	K	
MATERIAL	-	CUSTOMER DRAWING		

1471-9 (3/11)

1571300