



DO - 15 SCHOTTKY BARRIER DIODES

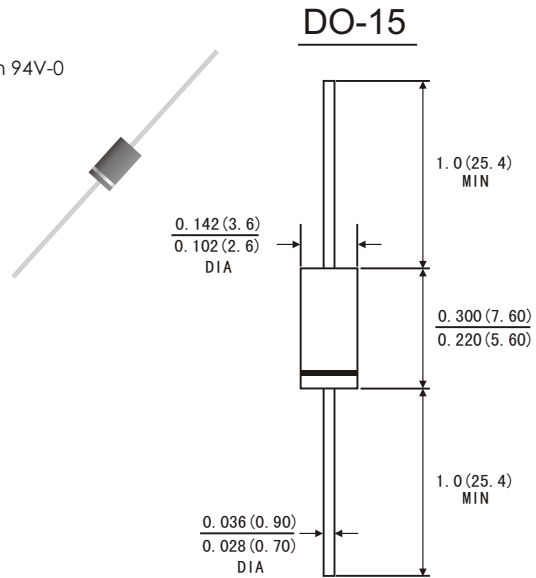
Reverse Voltage - 20 to 200 Volts

Forward Current - 2.0Ampere

SR220-SR2200

FEATURES

- Plastic package has Underwriters Laboratory Flammability Classification 94V-0
- Metal silicon junction ,majority carrier conduction
- Guard ring for overvoltage protection
- Low power loss ,high efficiency
- High current capability ,Low forward voltage drop
- High surge capability
- For use in low voltage ,high frequency inverters, free wheeling ,and polarity protection applications
- High temperature soldering guaranteed:260°C/10 seconds at terminals
- Component in accordance to RoHS 2002/95/EC and WEEE 2002/96/EC



Dimensions in inches and (millimeters)

MECHANICAL DATA

- Case: JEDEC DO-15 molded plastic body
- Terminals: Plated axial leads, solderable per MIL-STD-750,method 2026
- Polarity: color band denotes cathode end
- Mounting Position: Any
- Weight: 0.014ounce, 0.39 gram

MAXIMUM RATINGS AND ELECTRICAL CHARACTERISTICS

(Ratings at 25°C ambient temperature unless otherwise specified ,Single phase ,half wave ,resistive or inductive load. For capacitive load,derate by 20%.)

	Symbols	SR 220	SR 230	SR 240	SR 250	SR 260	SR 280	SR 2100	SR 2150	SR 2200	Units
Maximum repetitive peak reverse voltage	V _{RRM}	20	30	40	50	60	80	100	150	200	Volts
Maximum RMS voltage	V _{RMS}	14	21	28	35	42	57	71	105	140	Volts
Maximum DC blocking voltage	V _{DC}	20	30	40	50	60	80	100	150	200	Volts
Maximum average forward rectified current 0.375"(9.5mm) lead length at T _L =75°C	I(AV)	2.0									Amps
Peak forward surge current 8.3ms single half sine-wave superimposed on rated load (JEDEC method)	I _{FSM}	50.0									Amps
Maximum instantaneous forward voltage at 2.0 A(Note 1)	V _F	0.55		0.70		0.85		0.90		0.95	Volts
Maximum instantaneous reverse current at rated DC blocking voltage(Note 1)	I _R	0.5									mA
		10									
Typical junction capacitance(Note 3)	C _J	170									pF
Typical thermal resistance(Note 2)	R _{θJA}	35.0									°C/W
Operating junction temperature range	T _J	-65 to+125									°C
Storage temperature range	T _{STG}	-65 to+150									°C

Notes: 1.Pulse test: 300 μs pulse width,1% duty cycle

2.Thermal resistance from junction to lead, and/or to ambient P.C.B. mounted with 0.375"(9.5mm) lead length with 1.5 X1.5"(38X38mm)copper pads

3.Measured at 1.0MHz and reverse voltage of 4.0 volts

RATINGS AND CHARACTERISTIC CURVES SR220 THRU SR2200

FIG.1-FORWARD CURRENT DERATING CURVE

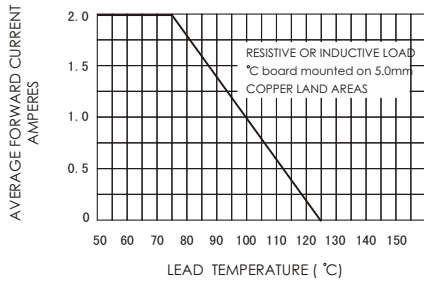


FIG.2-MAXIMUM NON-REPETITIVE PEAK FORWARD SURGE CURRENT

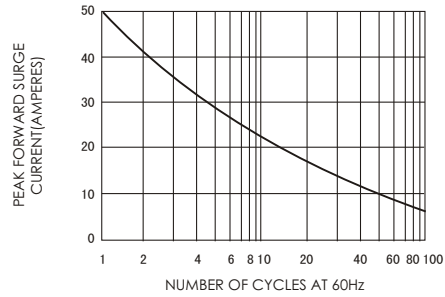


FIG.3-TYPICAL INSTANTANEOUS FORWARD CHARACTERISTICS

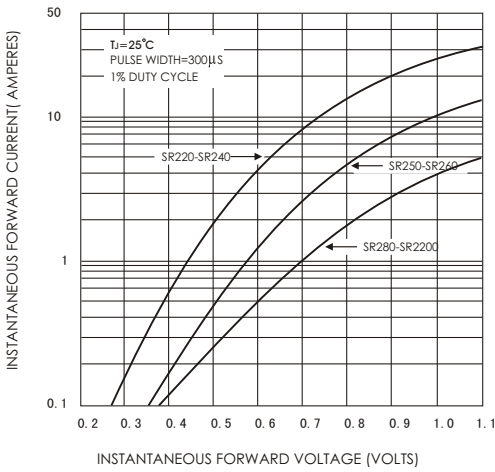


FIG.4-TYPICAL REVERSE CHARACTERISTICS

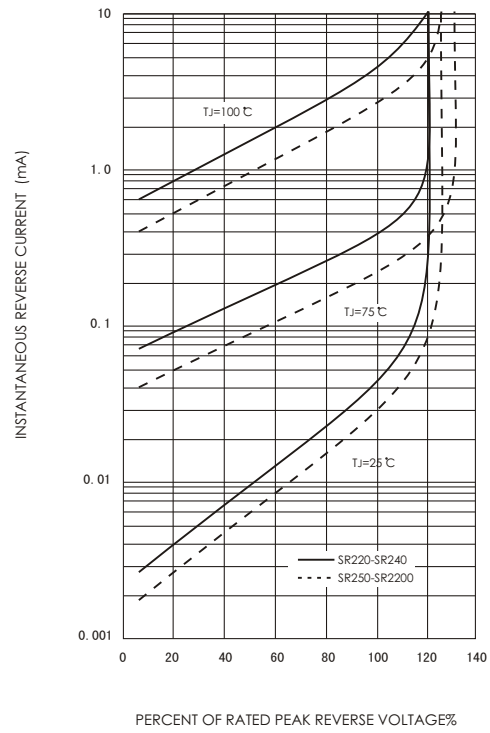


FIG.5-TYPICAL JUNCTION CAPACITANCE

