

CITIZEN WATCH CO., LTD.

西鐵城鐘錶有限公司

	REMARK
Our Ref. No.:	
Date :	

規格書 SPECIFICATION

產品名稱：

Product Name : **QUARTZ CRYSTAL**

型號：

Model : **CFV-206**

周波數：

Frequency : **40.003 KHz**

客戶參考編號：

Customer's Ref. No.:

APPROVED BY :

公司蓋章

Sales Division

Manufacturer

CITIZEN WATCH CO., LTD.

MIYOTA CO., LTD.

SALES DIV.

Honcho, Tanshi-city, Tokyo, Japan

Miyota, Miyota-machi, Kitasaku-gun

Nagano, Japan

Tel: 0424-67-6214

Tel: 0267-32-3331

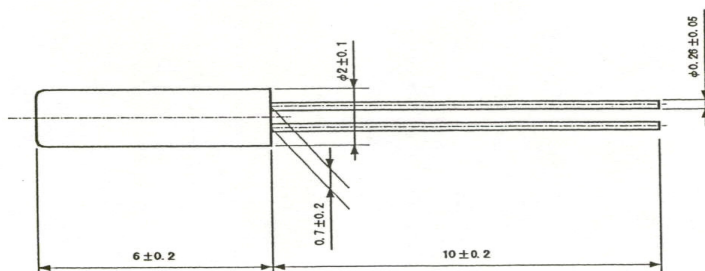
CITIZEN WATCH CO., LTD.

西鐵城鐘錶有限公司

SPECIFICATION

1	型號 Type of Holder	CFV-206
2	公称周波数 Nominal Frequency	40.003 KHz
3	振動方式 Mode of Vibration	TF
4	負載電容 Load Capacitance	12.5 pF
5	諧振阻抗 Equivalent Series Resistance	50KΩ
6	周波数容許偏差 Adjustment Tolerance	± 20 ppm Max. at 25°C
7	溫度特性 Tolerance over the Temperature Range	/
8	動作溫度範圍 Operating Temperature Range	-10°C~+60°C
9	保存溫度範圍 Storage Temperature Range	-40°C~+85°C
10	驅動功率 Level of Drive	1μW Max.
11	並列電容 Shunt Capacitance	0.8pF~1.7pF
12	絕緣抵抗 Insulation Resistance	500MΩ MIN / DC100±15V

外觀尺寸 Dimensions UNIT : mm



CITIZEN WATCH CO., LTD.

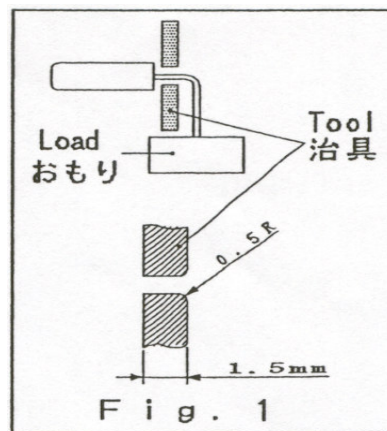
西鐵城鐘錶有限公司

Reliability Test Items

Test Item	Test Method	Spec. No.
1. Mechanical Performance Tests		
1.1 shock	Orient the sample in any attitude and drop it three times from a height of 75 cm onto a hardwood board with a thickness of 3 cm.	A
1.2 Vibration	Subject the sample to 1.5-minute cycles of frequencies of 10 to 500Hz and amplitudes of 1.5 mm or acceleration to 10G for two hours in each of the X, Y, and Z directions, for 6 hours in total.	A
1.3 Tensile Strength of Terminal	Apply a 1.0kg tensile load to each terminal and sustain it for 30±5 seconds.	A.C
1.4 Bending Strength of Terminal	Apply a 0.5kg load to one of the terminals, and after tilting the main unit for 90°, restore to its original attitude. Then, tilt it in an opposite direction for 90°, and restore to its original attitude. (See Fig. 1)	A.C
1.5 Solderability	Dip terminals in RMA flux for 5±0.5 sec. Under room temperature. Dip Terminals in a 230±5°C solder bath for 5±0.5 seconds. The solder shall leave an undipped terminal length of 2mm at their base.	D
1.6 Resistance to Soldering Heat	Dip Terminals in a 260±5°C solder bath for 10±0.5 seconds. The solder shall leave an undipped terminal length of 2mm at their base.	A
1.7 Leakage Test	Take measurements with a helium leakage detector.	E
2. Environmental Tests		
2.1 Cold	Expose the sample in an inoperative mode to 240 hours in a -40°C.	A
2.2 Dry Heat	Expose the sample in an inoperative mode to 240 hours in a +85°C.	B
2.3 Damp Heat	Expose the Sample in an inoperative mode to 240 hours in a +65°C, and 95%RH.	B
2.4 Thermal Shock	Subject the sample to 5 temperature variation cycles at -40°C for 30 minutes and +100°C for the next 30 minutes in each cycle.	A

Specifications

No.	Specification
A	Any variation between the pre- and post-test frequencies shall remain within ±5ppm. The post-test equivalent series resistance shall remain within its specified tolerance range.
B	Any variation between the pre- and post-test frequencies shall remain within ±5ppm. The post-test equivalent series resistance shall remain within its specified tolerance range.
C	After each test, no visible damage shall be manifested, nor shall the hermetic seal break down.
D	At least 90% of each dipped area shall be covered by fresh solder.
E	$1 \times 10^{-2} \mu\text{Pa} \cdot \text{m}^3/\text{s}$ Max 以下



※Measurements shall be taken at 25±2°C, and after each test, the sample be exposed to one to two hours at 25±2°C.

