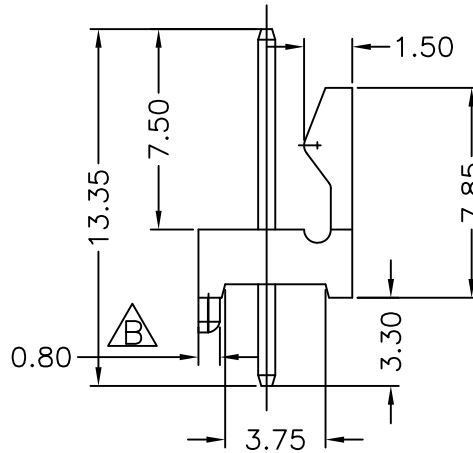


Recommended P.C.B Layout



MATERIAL

Insulator : NY66 + 30% Glass fiber
Contact Pin : Brass

SPECIFICATION

Current Rate : 2.5 AMP
Dielectric voltage : 250V AC for one minute
Insulation Resistance : 1000MΩMin.
Contact Resistance : 20mΩMax

744-8 1-04 T G 1B
1 2 3 4 5

1. 8: Green Product
2. No. of contacts per row
3. G: Gold flash
S: Selective
T: Tin plated
4. G: Charcoal Insulator (7547C)
5. Pinrex internal code.

REV.	DESCRIPTION	DATE
B	增加0.80尺寸	2013/04/19
A	RELEASE	2011/09/16

TOLERANCE	
.0	=±.50
.00	=±.30
.000	=±.XXX
.0000=±.	
ANG.=±3'	

SCALE	SIZE
NONE	A4

OLD PART NO.		2544S-04TG	
DRAWER		尹小姜	
SHEET		1 OF 1	
REV.		B	
APP'D			

TITLE		2.54mm WIRE TO BOARD HEADER DIP 180° TYPE	
NEW PART NO.		744-81-04TG1B	

頻銳科技股份有限公司
 PINREX TECHNOLOGY CORP.
 DRAW NO. 744-81-04TG1B(B版)