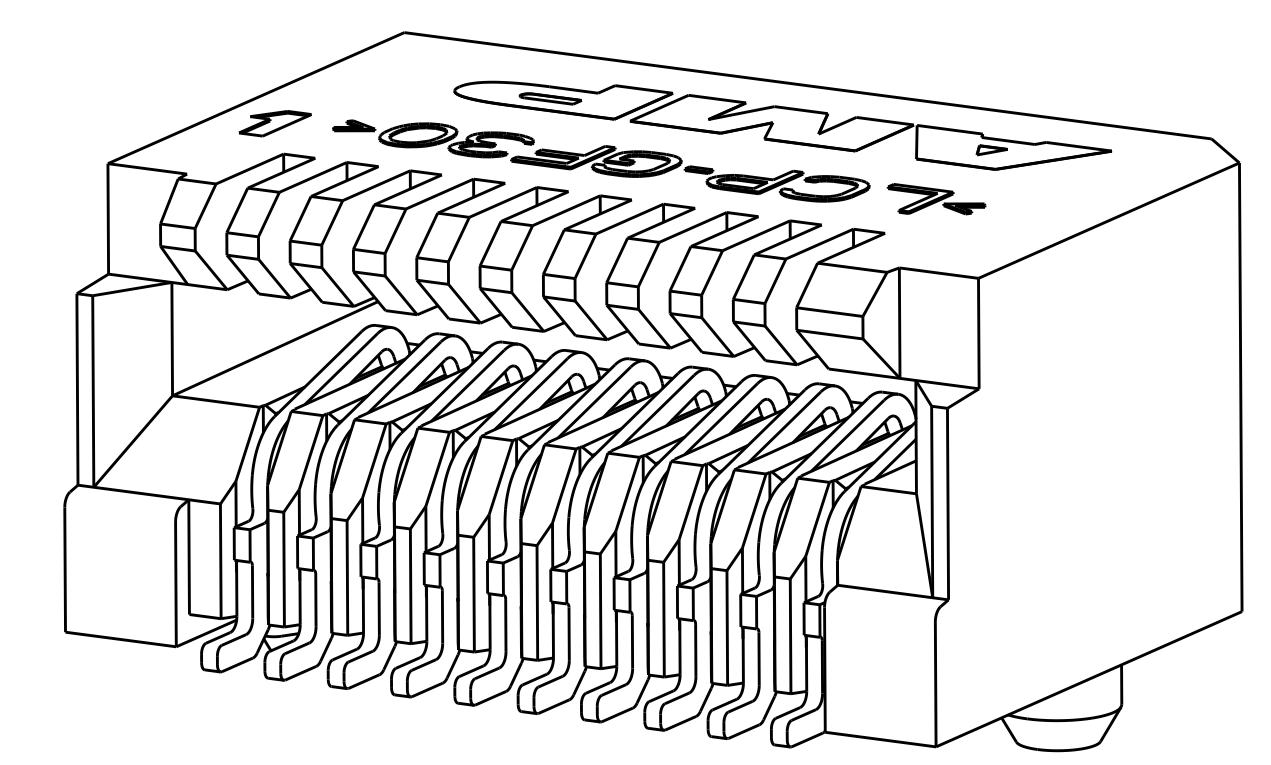
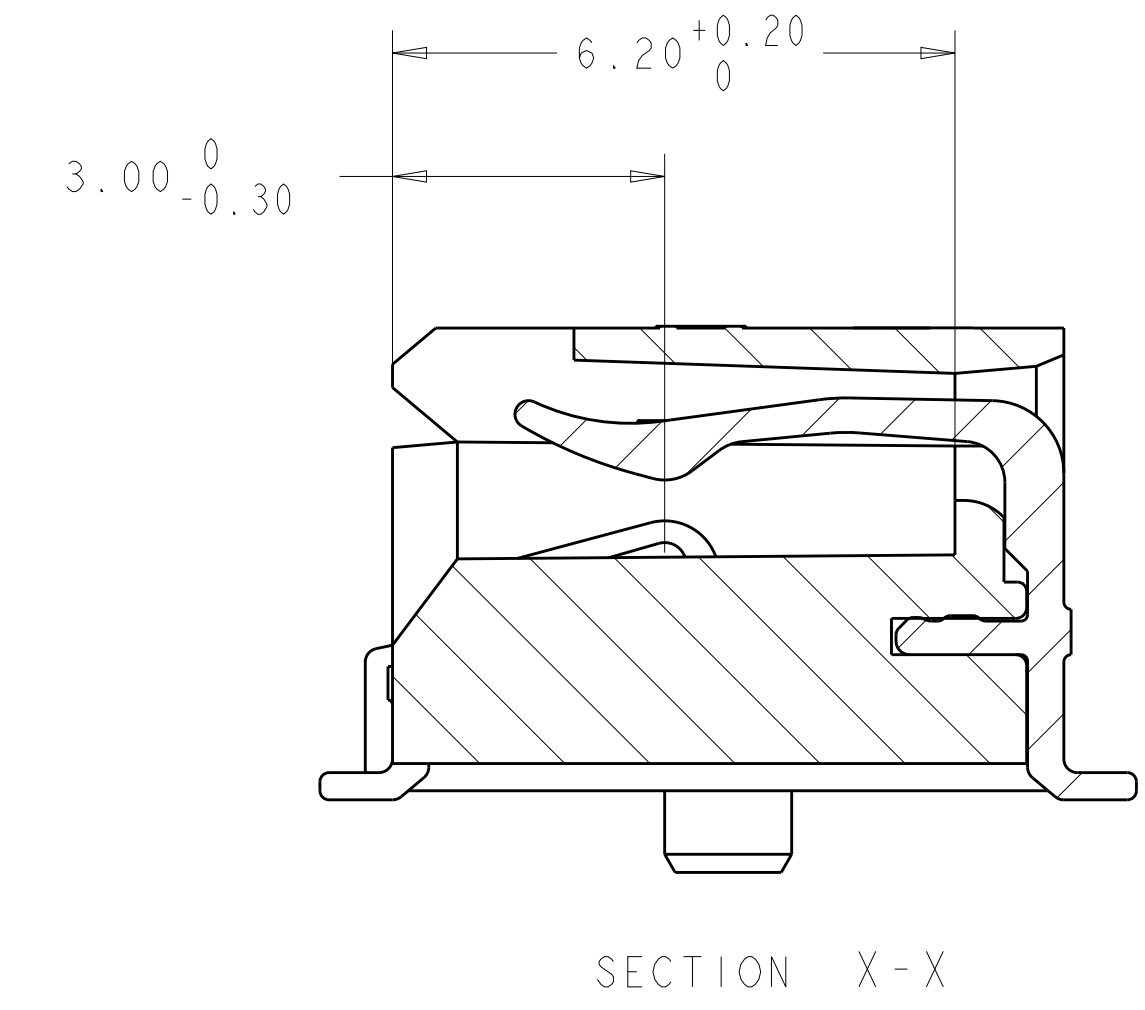
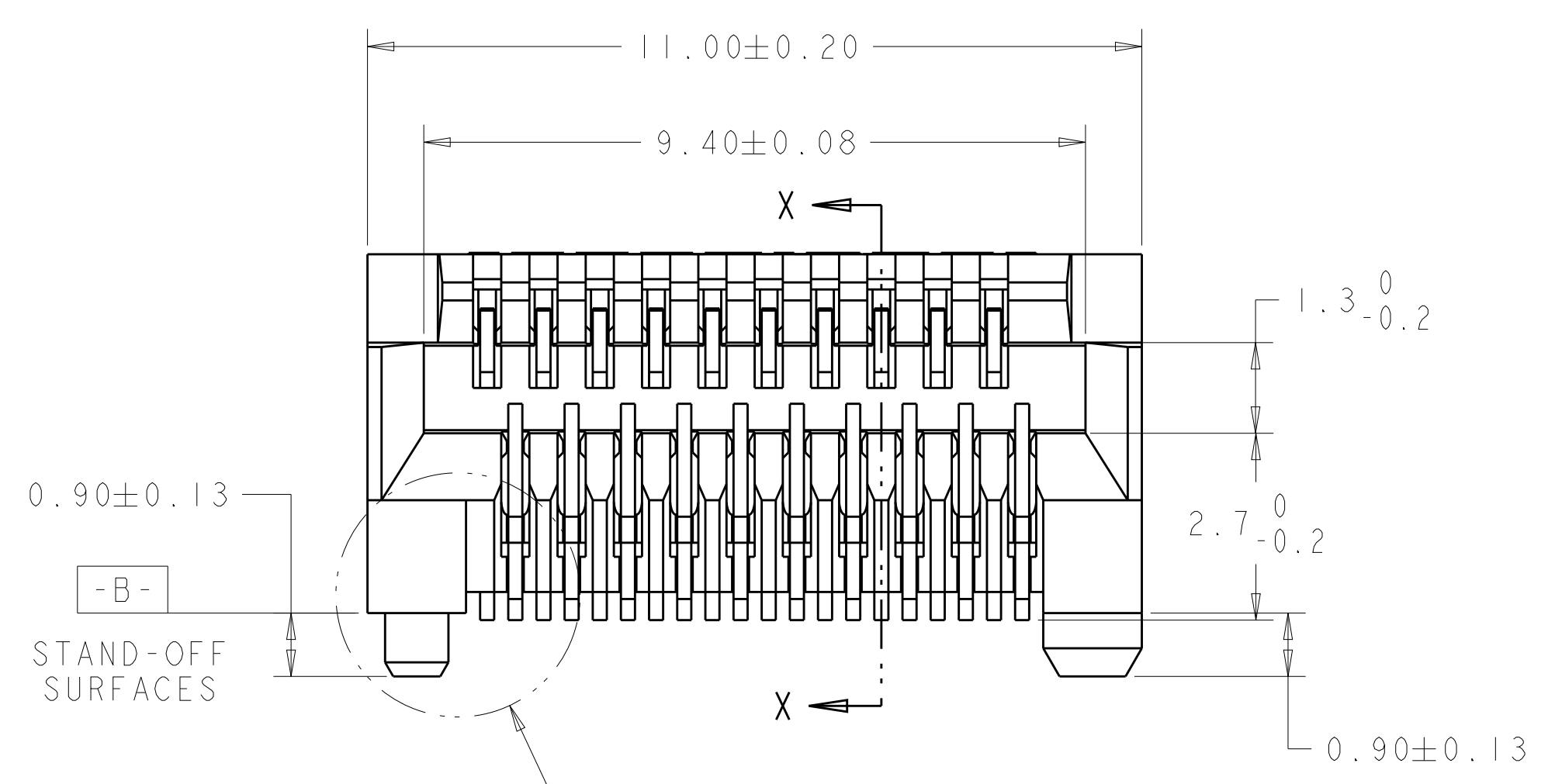
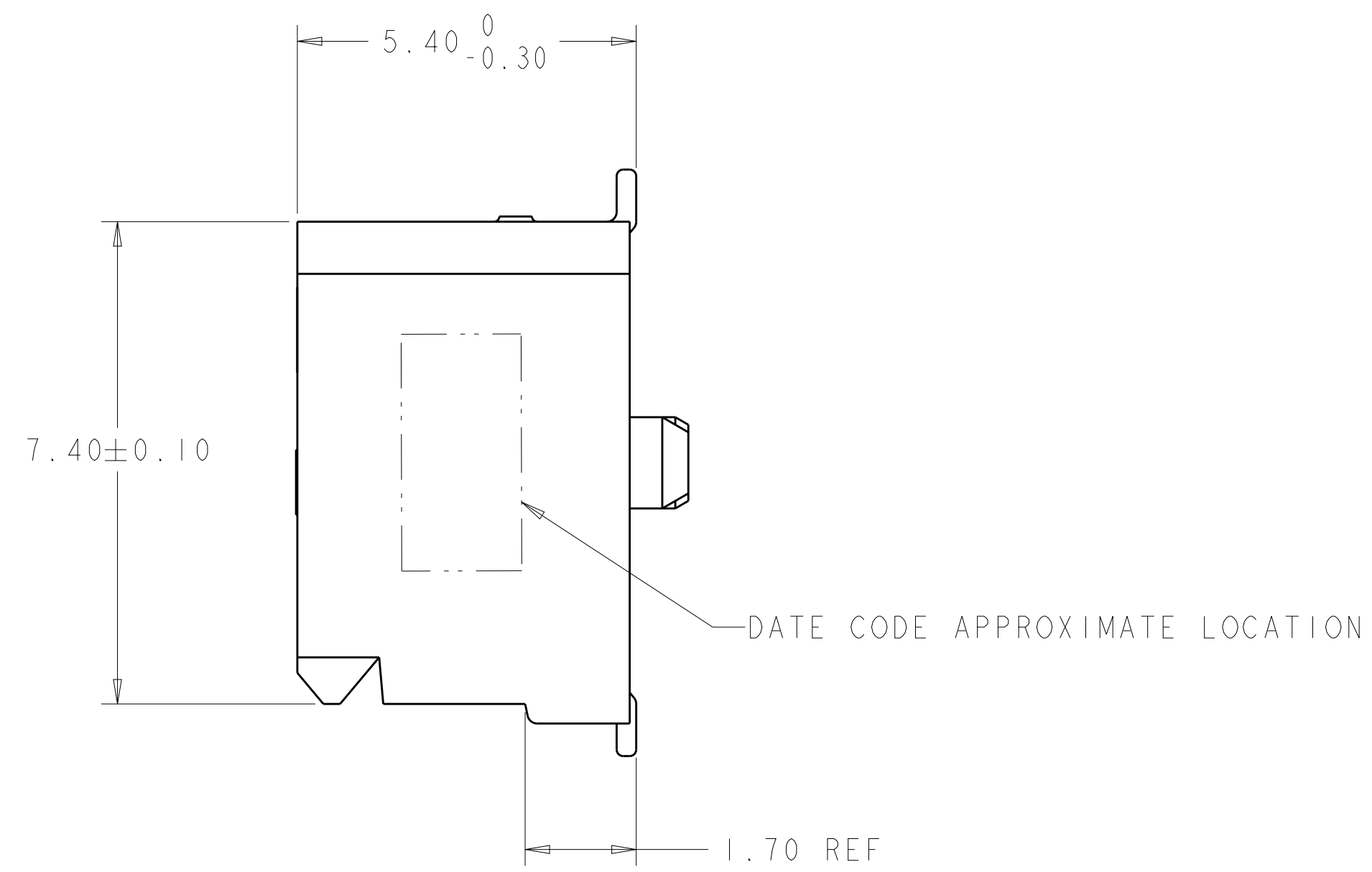
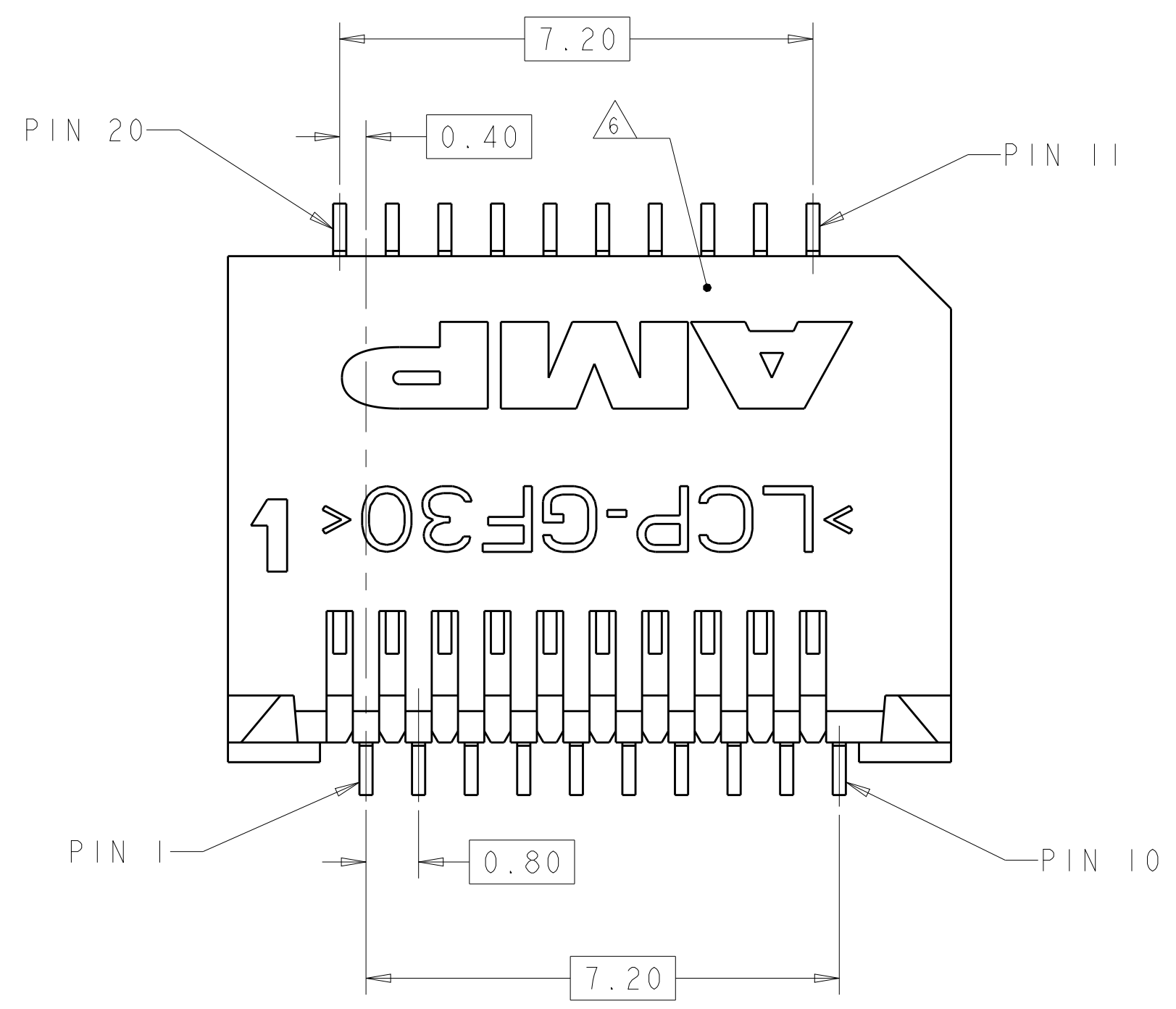
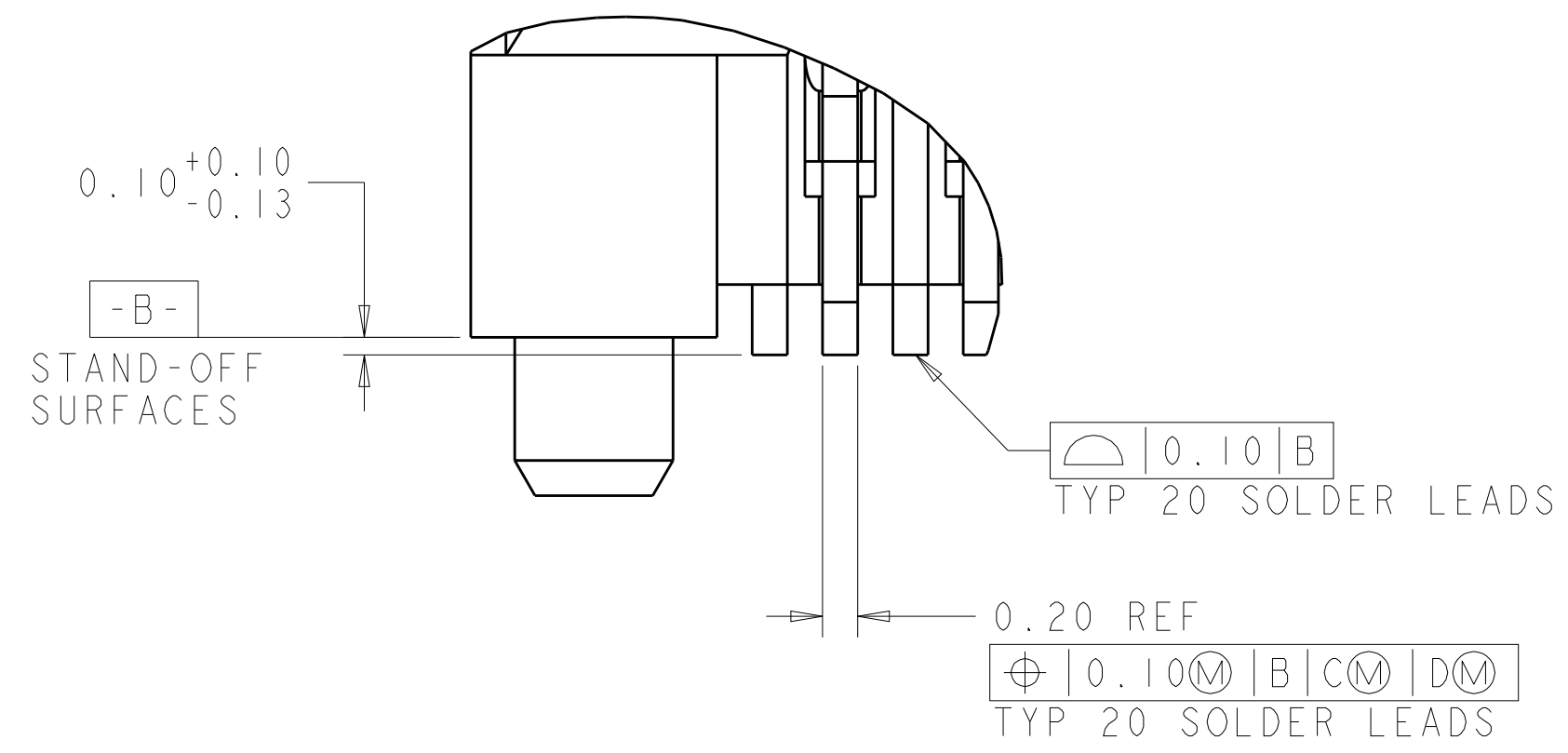
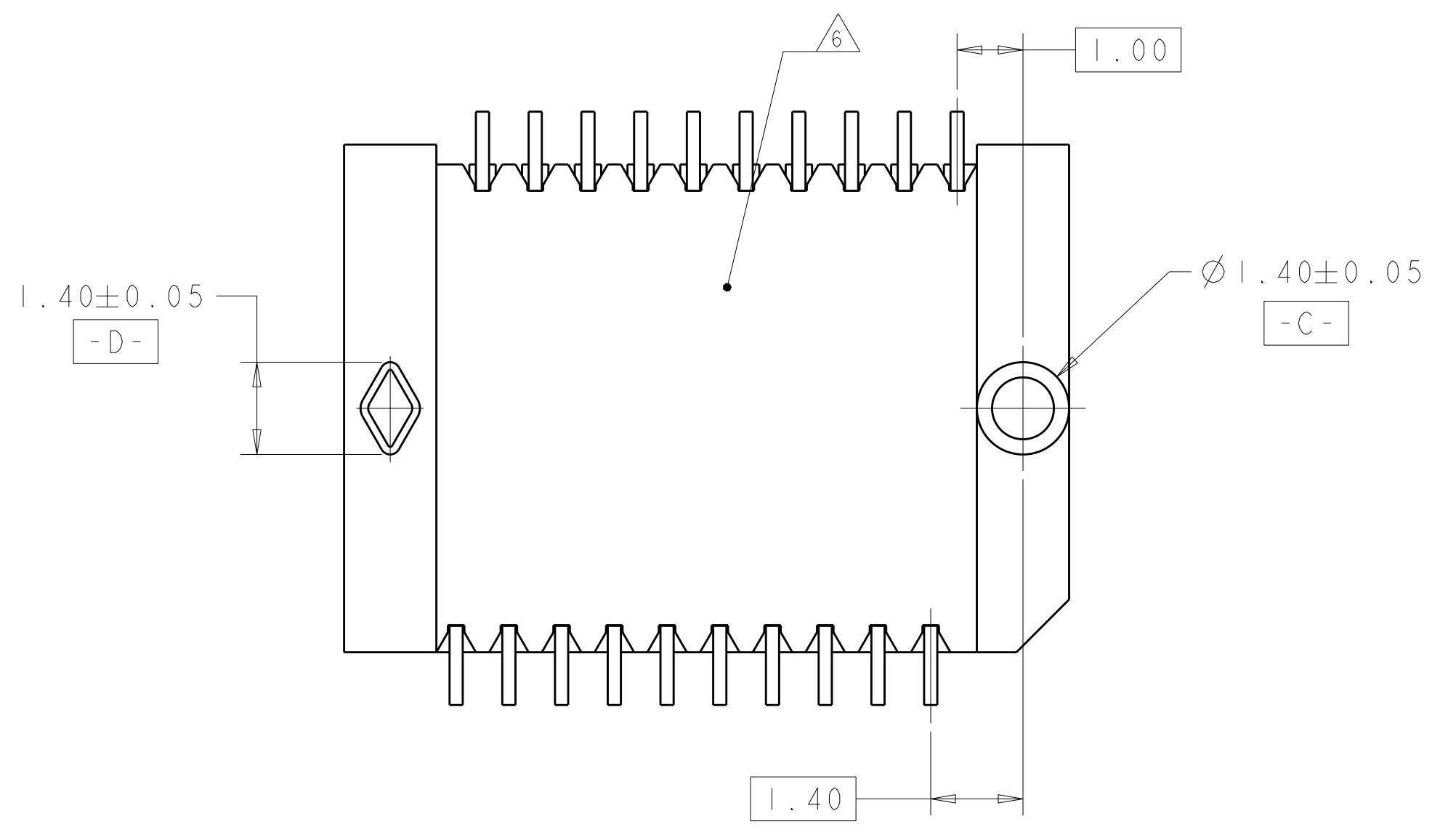


LOC	DIST	REVISIONS			
P	LTN	DESCRIPTION	DATE	DWN	APVD
K		REVISED PER ECO-12-015815	07NOV2012	TX	AC
L		REVISED PER ECO-15-018066	16DEC2015	PP	SH
M		UPDATE NICKEL PLATING AND ADD NOTE 8	20JUN2017	JW	SH
N		REVISED PER ECR-19-009785	24JUN2019	IT	SH



1888247-1,2,3,4,5 AS SHOWN



DETAIL H
SCALE 25:1

- 1. MATERIAL:
HOUSING: HIGH TEMPERATURE LCP, UL 94V-0 RATED, BLACK
CONTACTS: PHOSPHOR BRONZE.
- 2. FINISH:
CONTACTS: 0.00076 MIN GOLD ON CONTACT AREA, 0.00013 MIN GOLD ON SOLDER AREA. ALL OVER 0.00127 MIN NICKEL UNDERPLATE ON ENTIRE CONTACT. LUBRICANT ON GOLD PLATE CONTACT AREAS.
- 3. PACKAGED 480 PIECES PER REEL.
- 4. DATUMS AND BASIC DIMENSIONS TO BE ESTABLISHED BY CUSTOMER, SEE DRAWING 1367034 FOR LAYOUT WHEN USED WITH 1367034-1 BOTTOM CAGE (STANDARD SFP APPLICATION).
- 5. FINISH:
CONTACTS: 0.00038 MIN GOLD ON CONTACT AREA, 0.00013 MIN GOLD ON SOLDER AREA. ALL OVER 0.00127 MIN NICKEL UNDERPLATE ON ENTIRE CONTACT. LUBRICANT ON GOLD PLATE CONTACT AREAS.
- 6. PULL GROOVES PERMITTED ON THESE SURFACES AT MOLDING ENGINEERING DISCRETION
- 7. FOR ESD PROTECTION TAPE AND REEL PACKAGE ONLY. MATERIALS (COVER TAPE, EMBOSS TAPE, REEL, INNER LABEL ON REEL) USED WITH AN EPA AREA MUST PRIMARILY BE ELECTROSTATIC CONDUCTIVE OR ELECTROSTATIC DISSIPATIVE. NO MATERIAL SHOULD BE CHARGED UP TO MORE THAN 100 VOLTS.
- 9. TEMPERATURE RATING: -55°C TO 105°C

NO	2	1888247-5
YES	3	1888247-4
YES	2	1888247-3
NO	3	1888247-2
NO	2	1888247-1
DATE CODE	FINISH	PART NUMBER

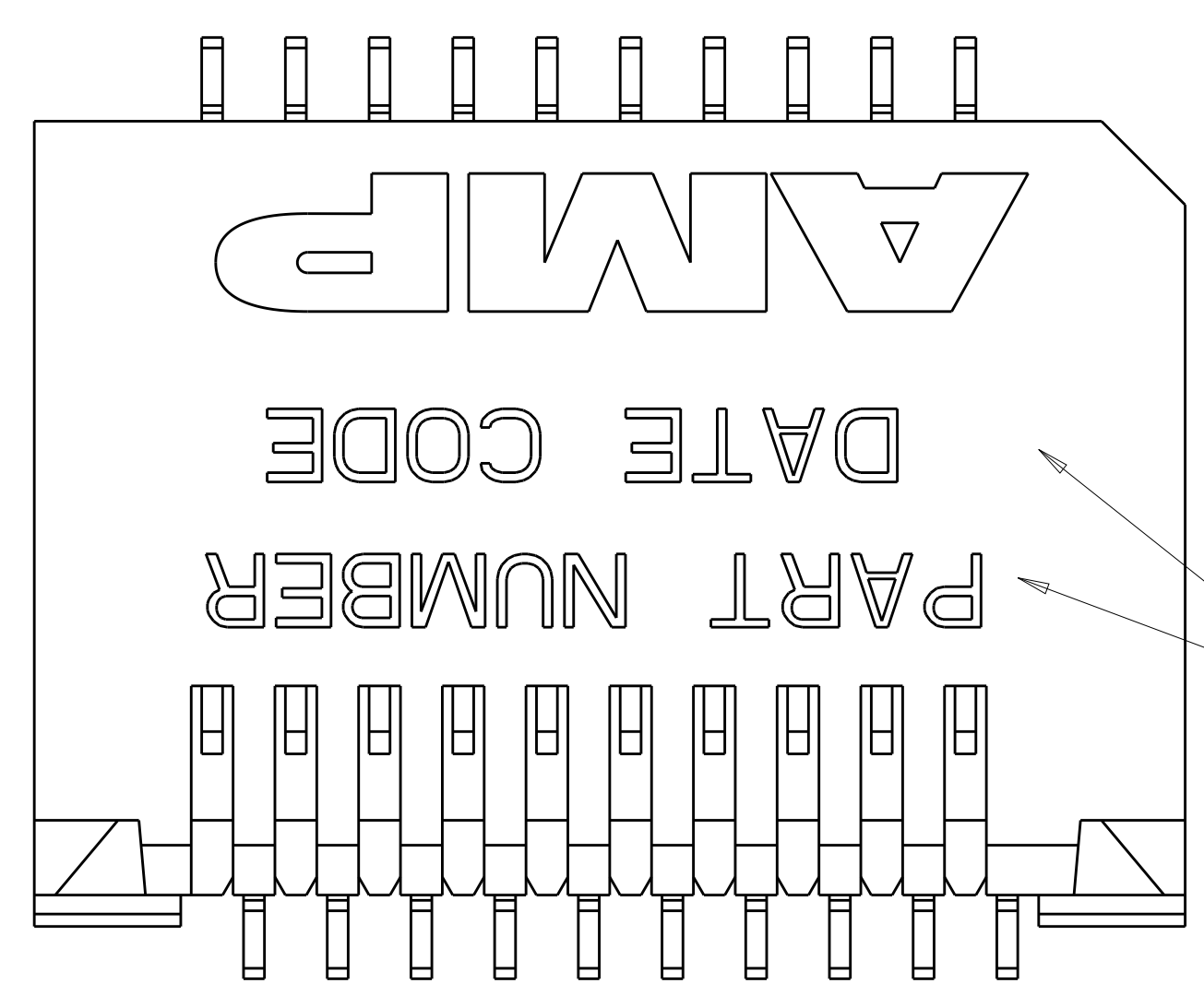
DIMENSIONS:		TOLERANCES UNLESS OTHERWISE SPECIFIED:		MATERIAL:		FINISH:	
mm	0 PLC	±					
	1 PLC	±	0.10				
	2 PLC	±	0.10				
	3 PLC	±	0.10				
	4 PLC	±	0.10				
	ANGLES	±					

OWN	B. MCMASTER	14FEB06
CHK	S. SHUEY	14FEB06
APVD	S. SHUEY	14FEB06
PRODUCT SPEC	108-1949	
APPLICATION SPEC	114-13017	
WEIGHT		
CUSTOMER DRAWING		

NAME	PT CONNECTOR ASSEMBLY, 20 POS, RIGHT ANGLE, 0.8mm PITCH, SFP+
SIZE	CAGE CODE DRAWING NO
RESTRICTED TO	A100779C=1888247
SCALE	12:1
SHEET	1 OF 4
REV	N

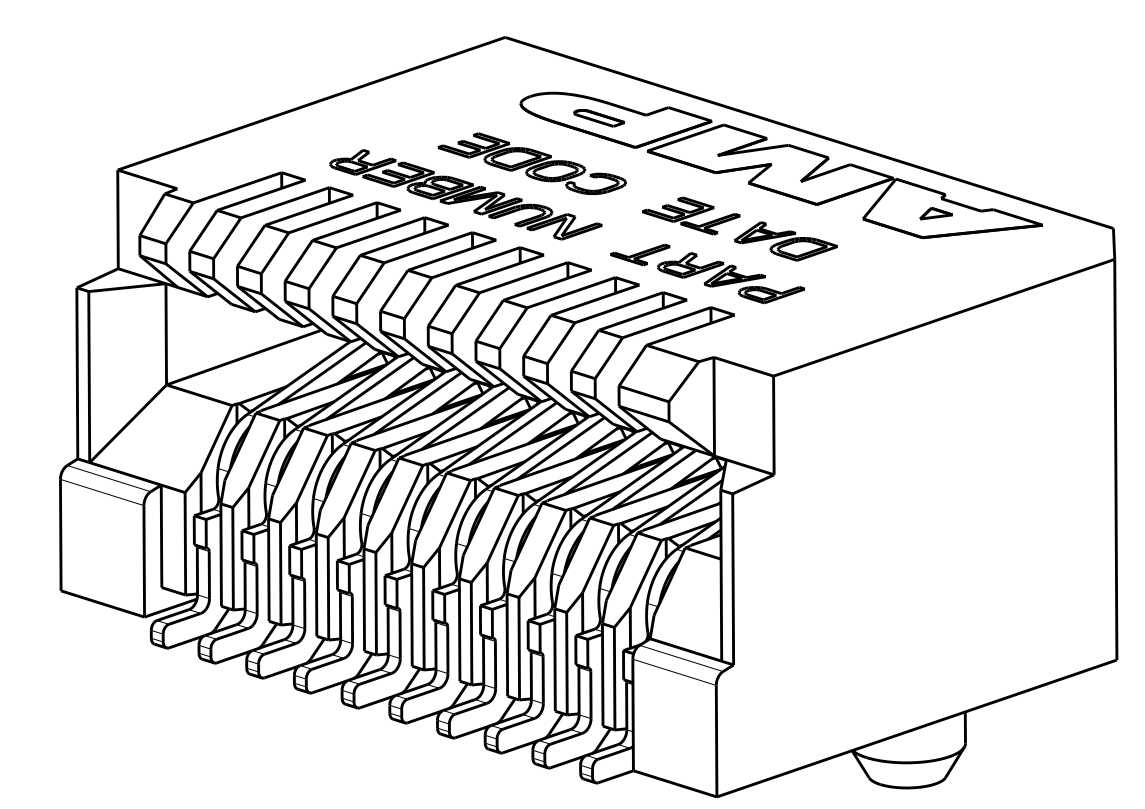
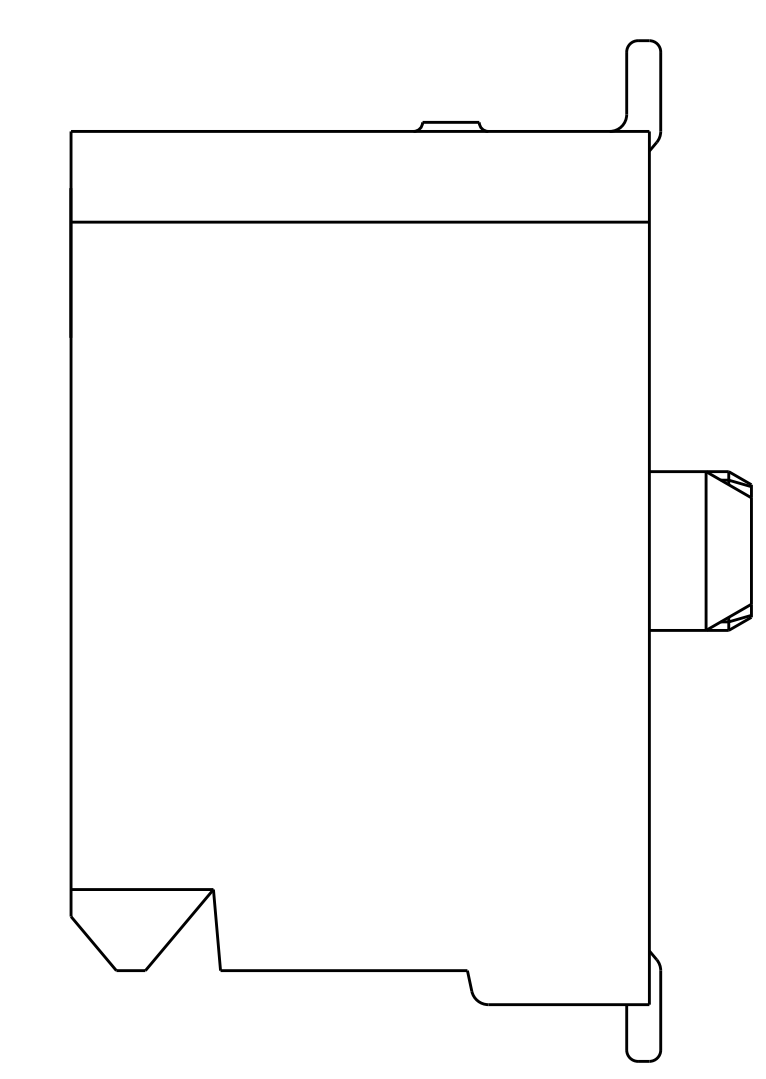
LOC		DIST		REVISIONS			
ES	00	P	LTH	DESCRIPTION	DATE	DNW	APVD
		-		SEE SHEET 1			

1888247-6 AS SHOWN
 PRINT PART NUMBER AND DATE CODE ON TOP
 ALL OTHERS SAME AS 1888247-2



PART NUMBER AND DATE CODE
 APPROXIMATE LOCATION

SCALE 15:1

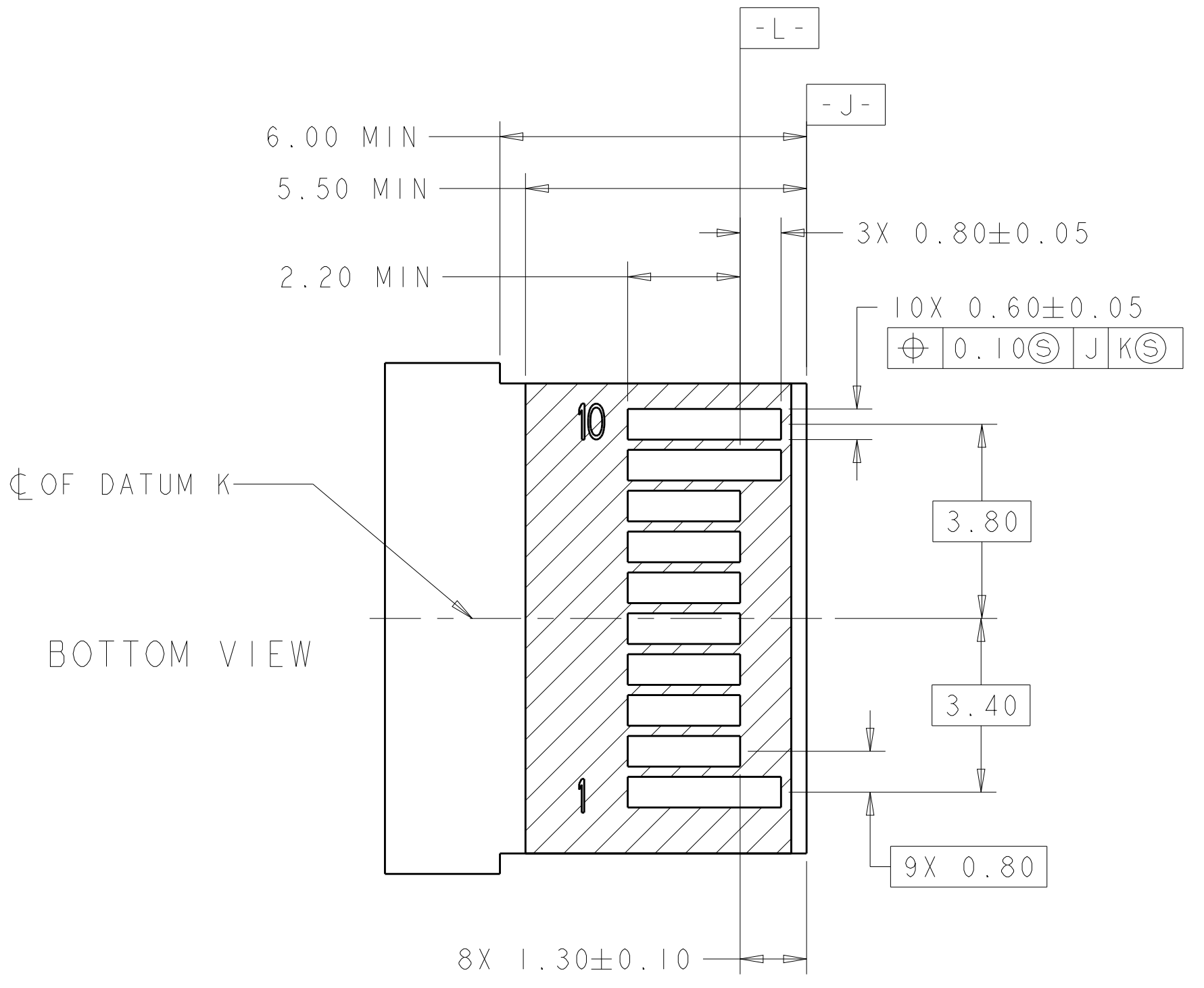
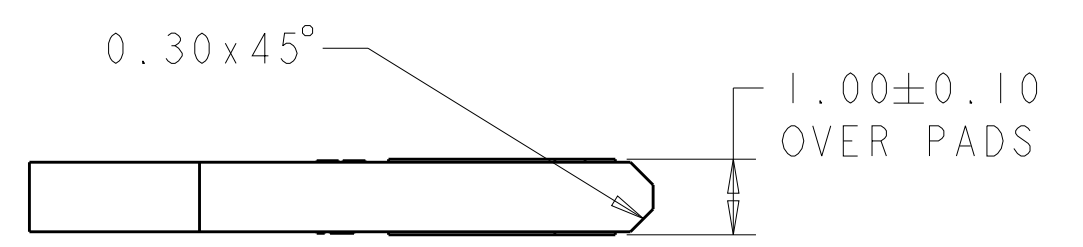
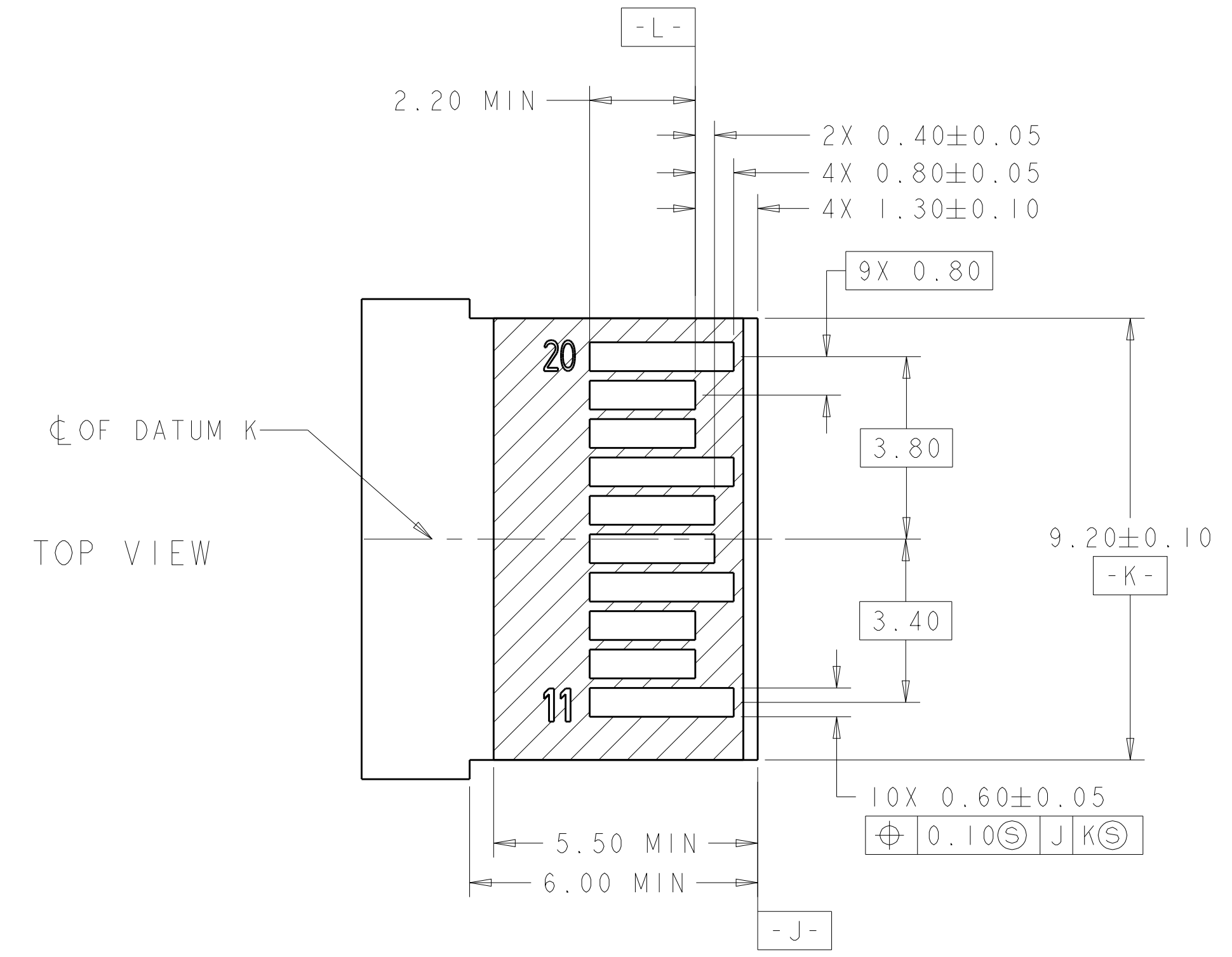


1888247-6 AS SHOWN

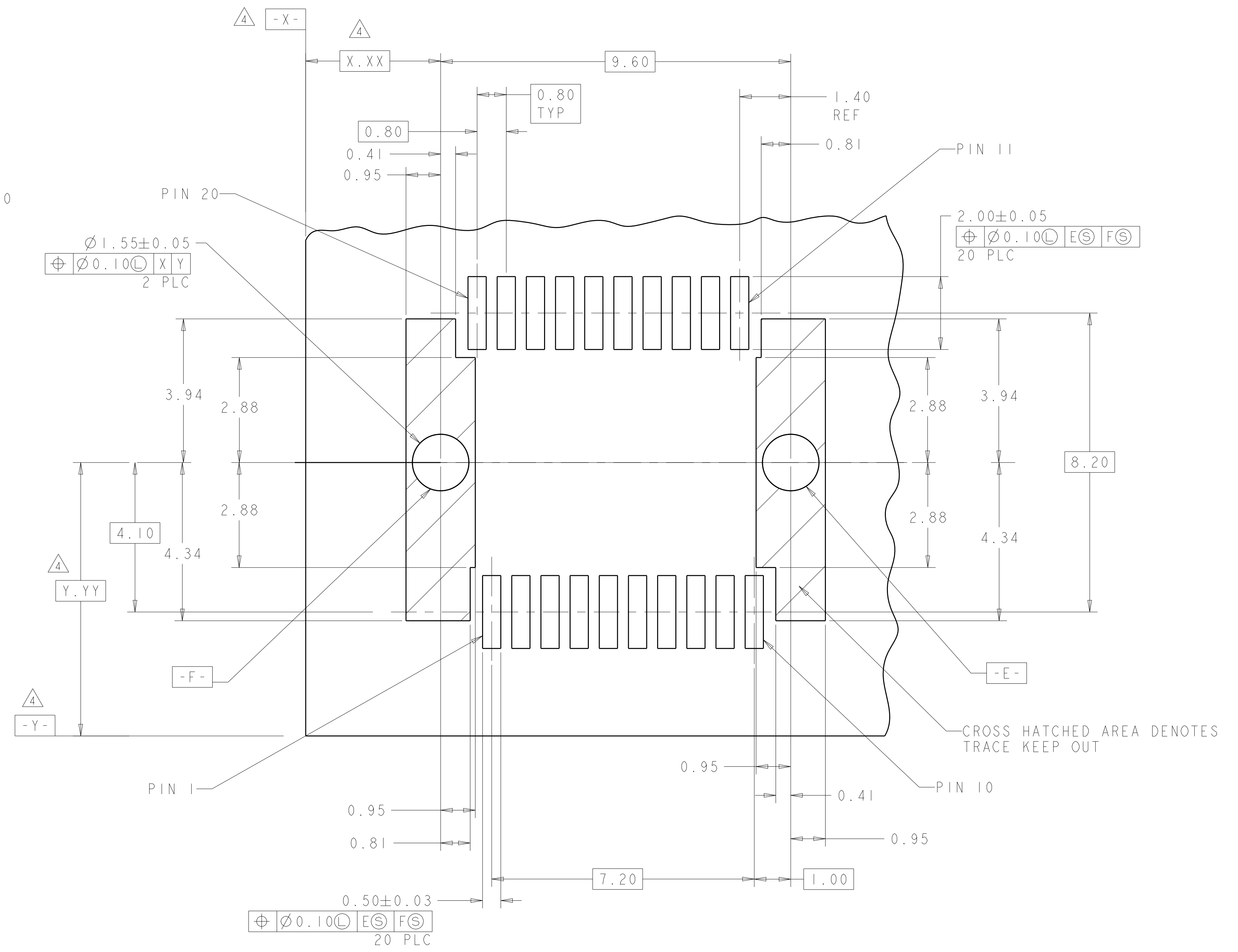
YES	YES	△	1888247-6
PART NUMBER	DATE CODE	FINISH	PART NUMBER

THIS DRAWING IS A CONTROLLED DOCUMENT.		DNW B. MCMASTER 14FEB06	TE Connectivity NAME PT CONNECTOR ASSEMBLY, 20 POS, RIGHT ANGLE, 0.8mm PITCH, SFP+ PRODUCT SPEC 108-1949 APPLICATION SPEC 114-13017 SIZE CAGE CODE DRAWING NO. RESTRICTED TO A100779C=1888247 CUSTOMER DRAWING SCALE 12:1 SHEET 2 OF 4 REV N
DIMENSIONS:		CHK S. SHUEY 14FEB06	
TOLERANCES UNLESS OTHERWISE SPECIFIED:		APVD S. SHUEY 14FEB06	
mm	0 PLC ± 1 PLC ±0.10 2 PLC ± 3 PLC ± 4 PLC ±		
		ANGLES ±	
MATERIAL		FINISH	

LOC		DIST		REVISIONS			
ES	00	P	LTN	DESCRIPTION	DATE	DWN	APVD
		-		SEE SHEET 1			

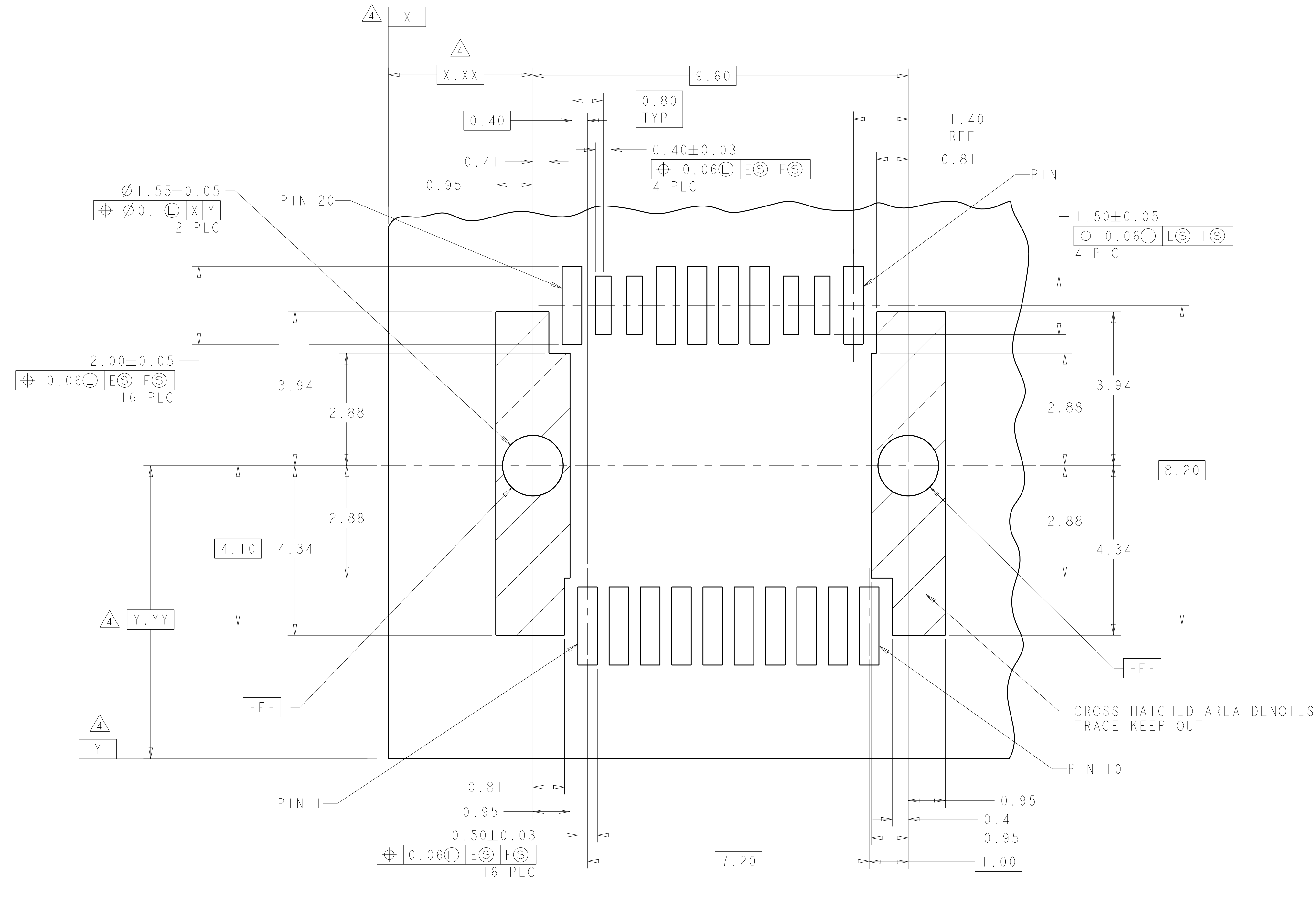


RECOMMENDED LAYOUT DETAIL
 MATING TRANSCEIVER PCB
 SCALE 10:1



THIS DRAWING IS A CONTROLLED DOCUMENT.		DWN B. MCMASTER 14FEB06	14FEB06	TE Connectivity
DIMENSIONS: mm		CHK S. SHUEY 14FEB06	14FEB06	
TOLERANCES UNLESS OTHERWISE SPECIFIED:		APVD S. SHUEY 14FEB06	14FEB06	NAME PT CONNECTOR ASSEMBLY, 20 POS, RIGHT ANGLE, 0.8mm PITCH, SFP+
0 PLC ± 1 PLC ±0.10 2 PLC ± 3 PLC ± 4 PLC ± ANGLES ±		PRODUCT SPEC 108-1949	APPLICATION SPEC 114-13017	SIZE A1
MATERIAL		WEIGHT	RESTRICTED TO	
FINISH		CUSTOMER DRAWING	SCALE 12:1	SHEET 3 OF 4 REV N

LOC	DIST	REVISIONS					
ES	00	P.	LTH	DESCRIPTION	DATE	DWN	APVD
		-		SEE SHEET 1			



OPTIONAL LAYOUT FOR IMPROVED SIGNAL INTEGRITY, MOUNTING SIDE
 SCALE 16:1

THIS DRAWING IS A CONTROLLED DOCUMENT.		DWN B. MCMASTER 14FEB06	STE TE Connectivity
DIMENSIONS: mm		CHK S. SHUEY 14FEB06	
TOLERANCES UNLESS OTHERWISE SPECIFIED:		APVD S. SHUEY 14FEB06	NAME
0 PLC	±	PRODUCT SPEC	PT CONNECTOR ASSEMBLY, 20 POS, RIGHT ANGLE, 0.8mm PITCH, SFP+
1 PLC	±0.10	APPLICATION SPEC	
2 PLC	±	114-13017	SIZE CAGE CODE DRAWING NO
3 PLC	±	114-13017	RESTRICTED TO
4 PLC	±		A100779C=1888247
ANGLES	±	WEIGHT	
FINISH		CUSTOMER DRAWING	SCALE 12:1 SHEET 4 OF 4 REV N