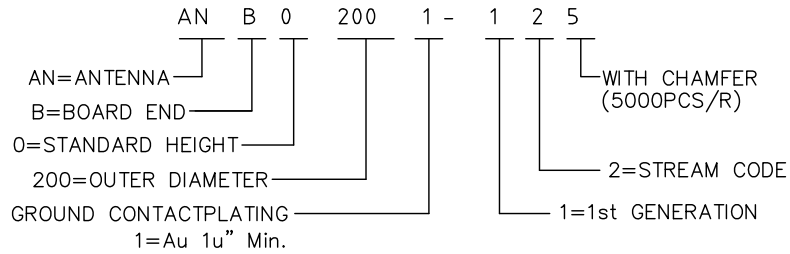
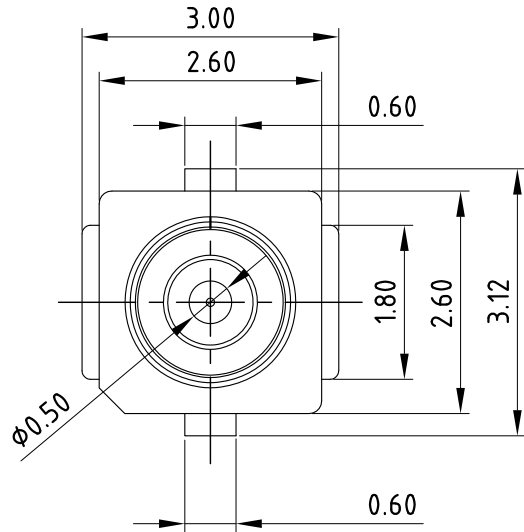
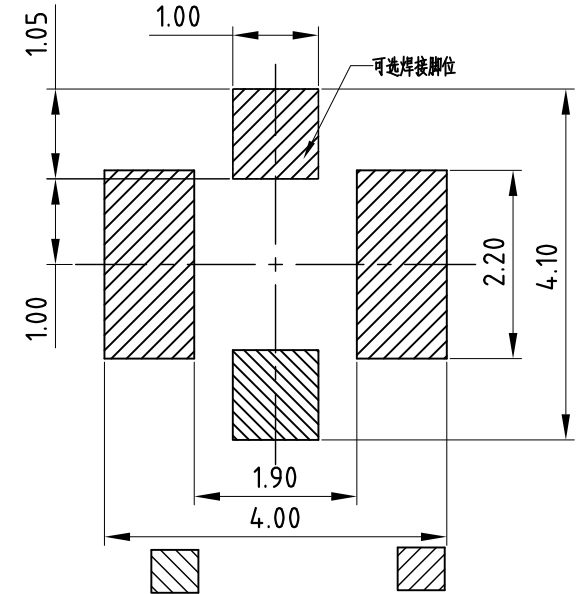


# Kinghelm®



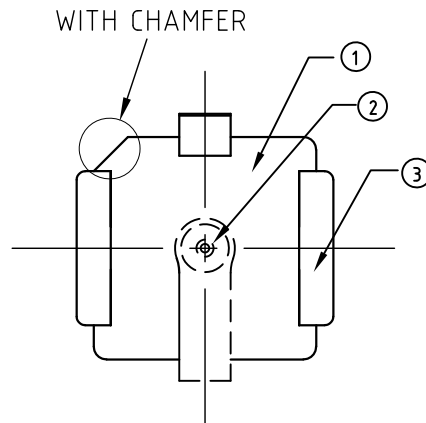
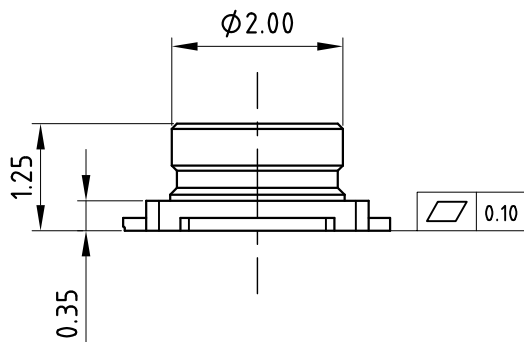
**NOTES:**

- FREQUENCY RANGE:  
DC TO 6GHZ (VSWR: 1.3MAX AT 0.1~3GHZ, 1.4MAX AT 3~6GHZ)
- CHARACTERISTIC IMPEDANCE: 50Ω(NOMINAL);
- TEMPERATURE: -40°C TO +90°C;
- RATED VOLTAGE : 60VAC;
- CONTACT RESISTANCE :  
20mΩ MAX.(SIGNAL CONTACT)  
20mΩ MAX.(GROUND CONTACT)
- WITHSTAND VOLTAGE : 200VAC FOR 1 MINUTE MIN;
- INSULATION RESISTANCE : 500MΩ MIN. AT 100VDC;
- THIS COMPONENT IS HALOGEN FREE.

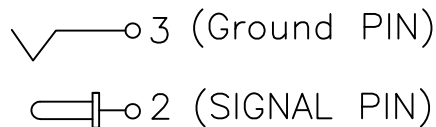


SIGNAL CONTACT GROUND CONTACT

P.C.B DIMENSION (TOP VIEW)  
(TOLLERRANCE ±0.05)



**SCHEMATIC**



ITEM	NAME	Q'TY	MATERIAL	FINISH
3	GROUND CONTACT	1	COPPER ALLOY	GOLD FLASH OVER Ni PLATED OVERALL.
2	CONTACT	1	COPPER ALLOY	GOLD FLASH OVER Ni PLATED OVERALL.
1	HOUSING	1	THERMOPLASTIC	UL94V-0

TOLERANCES UNLESS OTHERWISE SPECIFIED

X.	±0.25	X.°	±2°
.X	±0.20	.X°	±1°
.XX	±0.15	.XX°	±0.5°

THESE DRAWINGS AND SPECIFICATIONS ARE THE PROPERTY OF KUNSHAN COCENTRA ELECTRONICS CO.,LTD. AND SHALL NOT BE REPRODUCED, COPIED OR USED IN ANY MANNER WITHOUT THE PRIOR WRITTEN CONSENT OF KUN SHAN COCENTRA ELECTRONICS CO.,LTD.

深圳市金航标电子有限公司		WWW.BDS666.COM
KH-IPEX-K501-29		0755-83044319
SERIES: RF 1G BOARD END		TITLE: RF 1G H TYPE BOARD END
APPD: 王宁 2018/07/09		PART No.: ANB02001-125
CKD: 段国强 2018/07/09		DWG No.: 307-0000-0193
DR: 段国强 2018/07/09		

UNITS	MAT'L	FINISH	SCALE	SHEET	REV.
MM	N/A	N/A	1:1	1/1	A

技术详询

