



Spring Contact SCTA_A Series (Standard Type)

Dimensions (W×D)	1.4×1.4mm
------------------	-----------

Product height	1.4mm
----------------	-------

Height in use	0.8 to 1.2mm
---------------	--------------

Mounting type	Surface mounting type
---------------	-----------------------

Packing system	Taping
----------------	--------

Minimum order unit (pcs.)	13,000
------------------------------	--------

Operating temperature range	-30°C to +85°C
--------------------------------	----------------

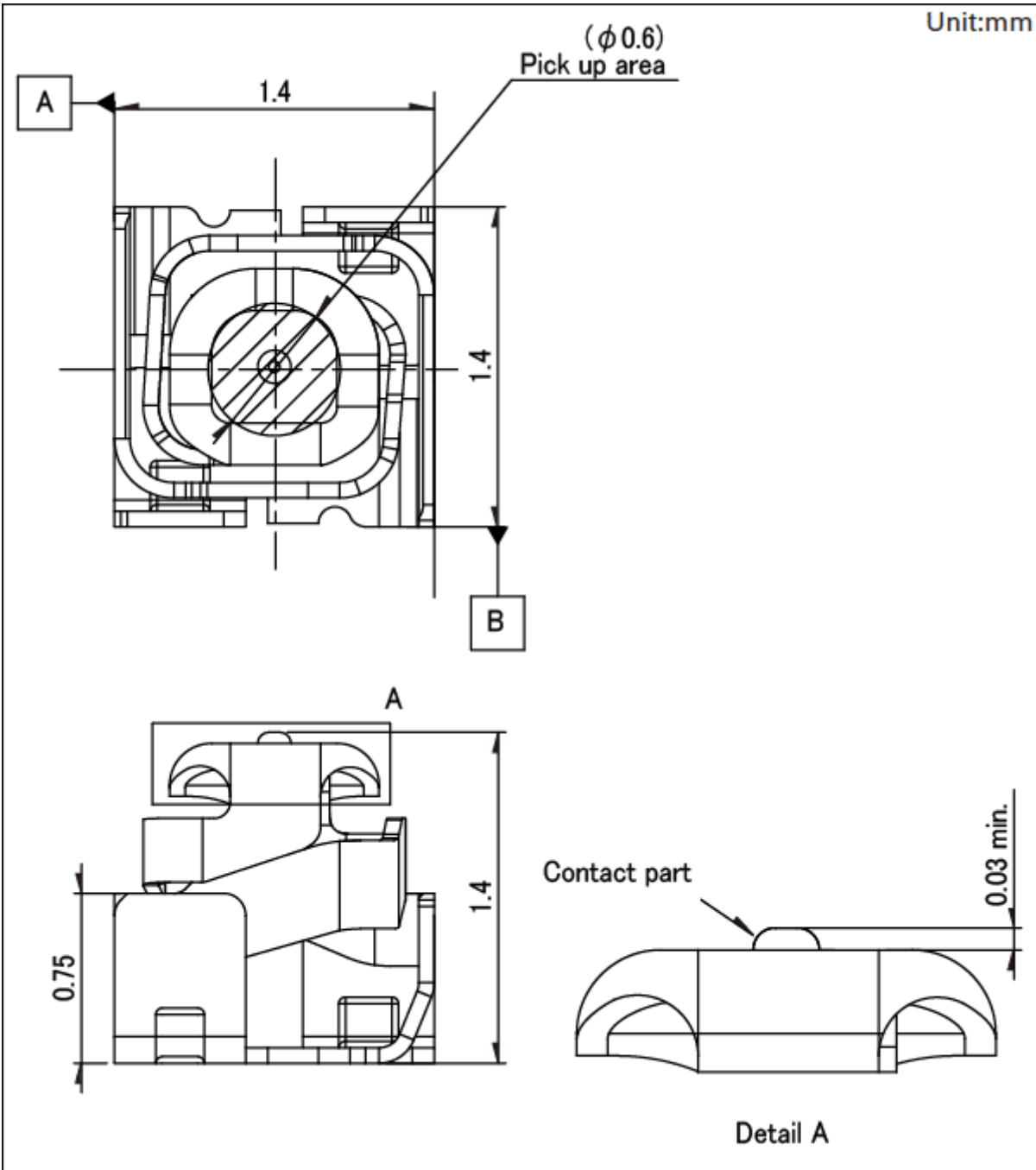
Rated current	3A
---------------	----

Contact resistance (Initial)	Connector contacts 40mΩ max.
---------------------------------	------------------------------

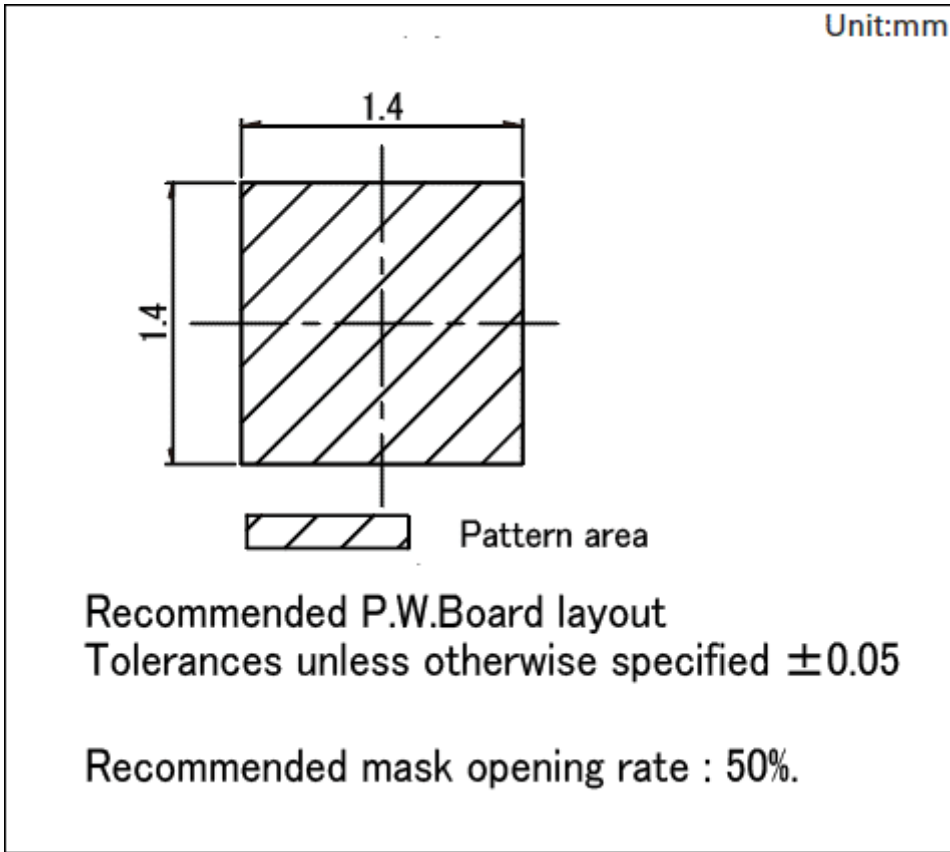
Stroke Frequency	500 times
------------------	-----------

Dimensions

Unit:mm

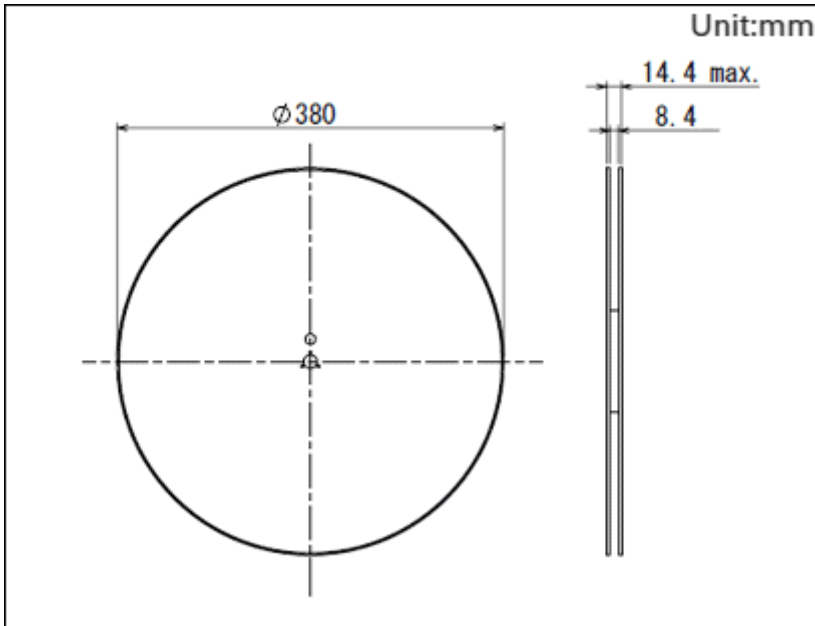


Land Dimensions



Packing Specifications

Taping



Number of packages 1 reel (pcs.) 13,000

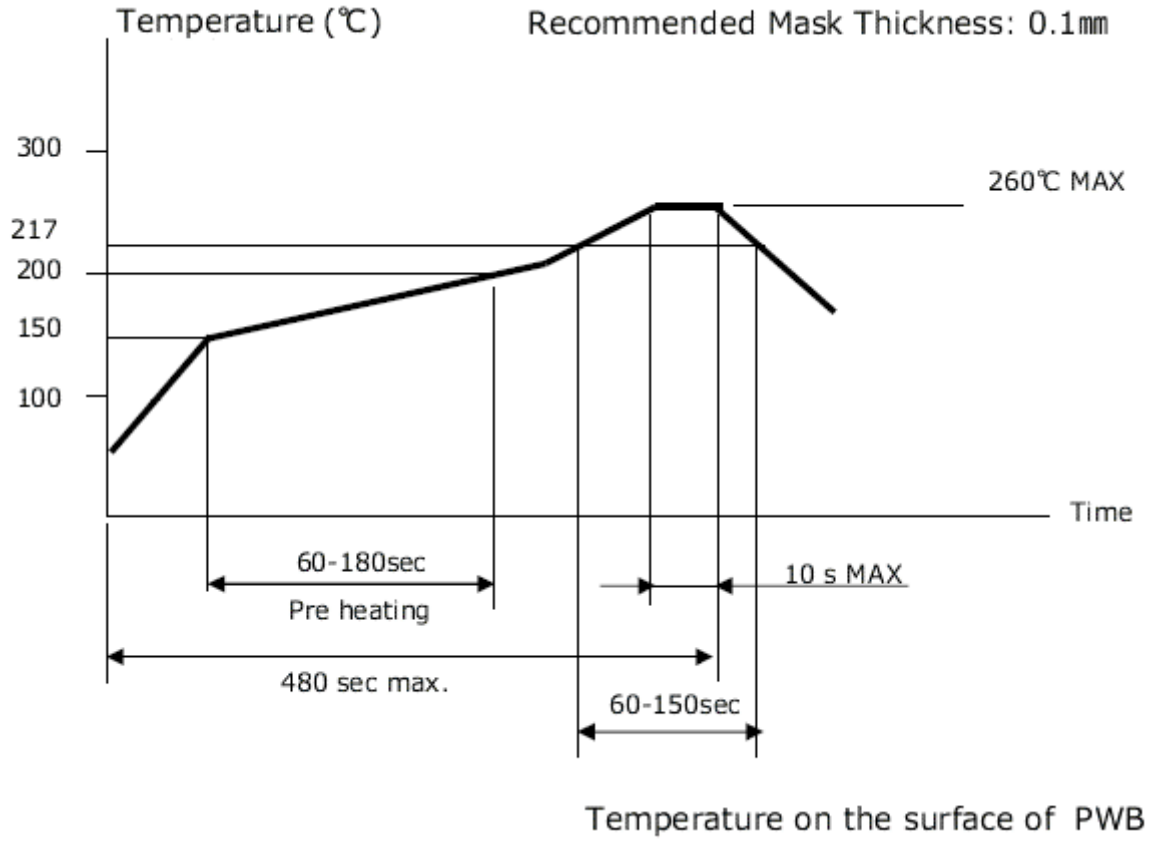
1 case / Japan 39,000

1 case / export packing 78,000

Tape width (mm) 8

Export package measurements (mm) 403×403×167

Soldering Conditions



Notes are common to this series/models.

1. This site catalog shows only outline specifications. When using the products, please obtain formal specifications for supply.
2. Please place purchase orders per minimum order unit (integer).