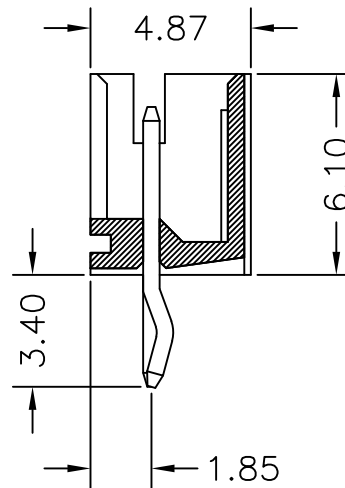


Recommended P.C.B Layout



**MATERIAL**

Insulator : NYLON 66+30% Glass fiber  
Contact Pin : Brass

**SPECIFICATION**

Current Rate : 2 AMP  
Dielectric voltage : 800V AC for one minute  
Insulation Resistance : 1000mΩMin.  
Contact Resistance : 20mΩMax  
Operating Temperature: -55°C to +105°C



721-8 1-05 5 W 00  
1 2 3 4 5

- 1. 8: Green Product
- 2. No. of contacts per row
- 3. G: Gold flash
- H: 15u" Gold plated
- S: Selective
- T: Tin plated
- 5: Matte Tin plated
- 4. W: White insulator
- 5. Pinrex internal code.



			TOLERANCE .0 = ±.30 .00 = ±.20 .000 = ±.XXX .0000 = ±. ANG. = ±3'	 UNITS : mm	OLD PART NO.	TITLE JST 2.0mm WAFER STRAIGHT TYPE		 頻銳科技股份有限公司 PINREX TECHNOLOGY CORP.
C	修改絕緣抗阻, 100Ω --> 20Ω	2018/06/14			DRAWER 楊海琴	CHECK 李劍		
B	增加工作溫度	2017/11/07						
A	RELEASE	2013/06/05						
REV.	DESCRIPTION	DATE		SCALE NONE SIZE A4	SHEET 1 OF 1	REV. C	APP'D 李劍	NEW PART NO. 721-81-055W00