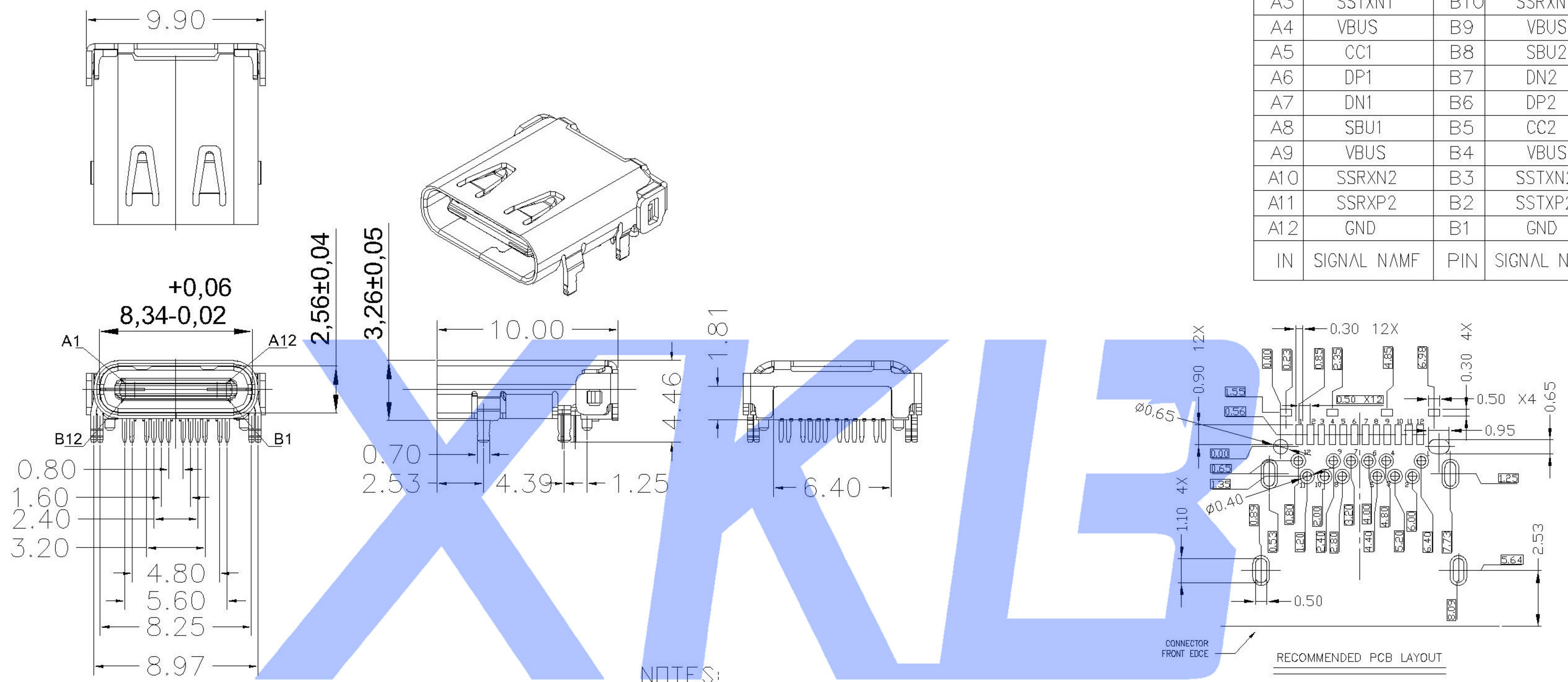


A1	GND	B12	GND
A2	SSTXP1	B11	SSRXP1
A3	SSTXN1	B10	SSRXN1
A4	VBUS	B9	VBUS
A5	CC1	B8	SBU2
A6	DP1	B7	DN2
A7	DN1	B6	DP2
A8	SBU1	B5	CC2
A9	VBUS	B4	VBUS
A10	SSRXN2	B3	SSTXN2
A11	SSRXP2	B2	SSTXP2
A12	GND	B1	GND
IN	SIGNAL NAMF	PIN	SIGNAL NA



NOTES:

- ELECTRICAL:
  - CURRENT RATING: 3AMP;
  - INSULATION RESISTANCE: 100MΩMIN;
  - CONTACT RESISTANCE: 30mΩMAX;
  - WITHSTANDING VOLTAGE: 250V AC;
  - OPERATING TEMPERATURE: -30°C TO +80°C.
- Mechanical:
  - Mating Force: 35N MAX
  - Unmating Force: 10N MIN.
- DIMENSIONS MARKED "▼" TO BE CHECKED BY Q.C & IPQC.

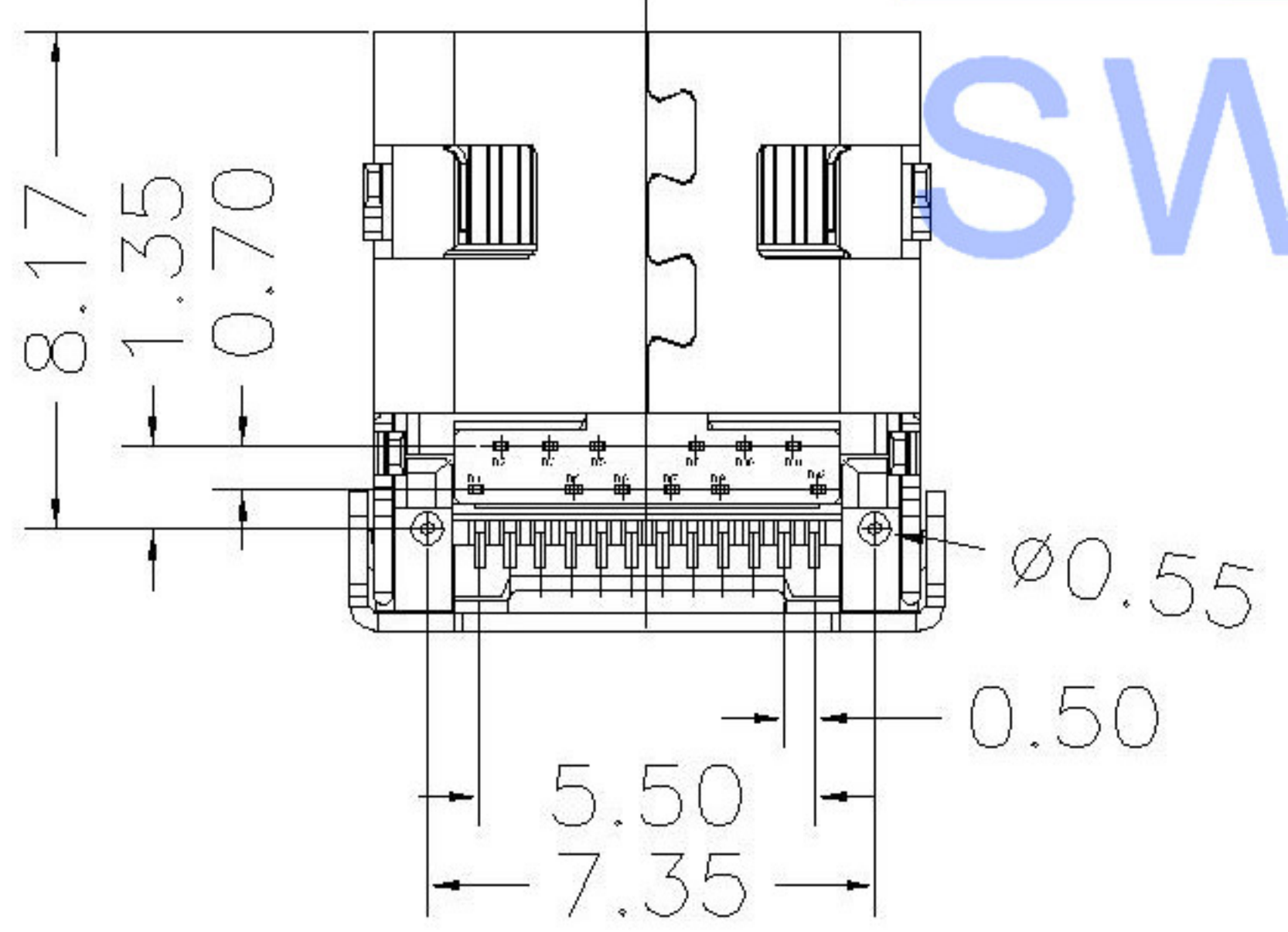
4. PART NO.

**U262-241XN-1BV60**

W: WHITE  
B: BLACK

1: Au 1U"  
2: Au 3U"  
5: Au 15U"  
6: Au 30U"

1: PBT  
2: PA6T  
3: PA9T  
4: LCP



					ANGLAR	±5°	DSND		DATE		SCALE: N/A	MODEL TYPE:	3.1 TYPE C			
					L ≤ 4	±0.2	DWN		DATE		VIEW:	PART NO.:				
					4 < L ≤ 16	±0.3	CHKD		DATE		UNIT: mm	DWG NO.:	U262-241XN-1BV60			
					16 < L ≤ 63	±0.4	APPD		DATE		SIZE: A4	WEIGHT	SHEET	REVISION		
					L > 63	±0.5	XKB INDUSTRIAL PRECISION CO., LIMITED					1.0g	1/1	A0		
					UNSPECIFIED TOLERANCES											
REVISIONS																
www.xk-dg.cn www.1k0k.com www.1k0k.cn																