







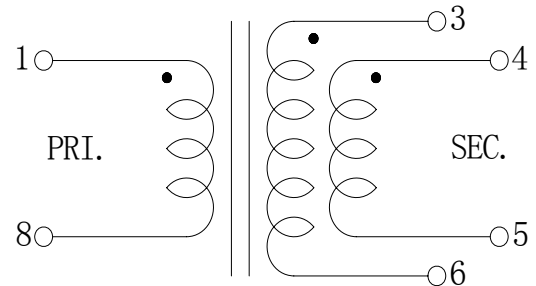
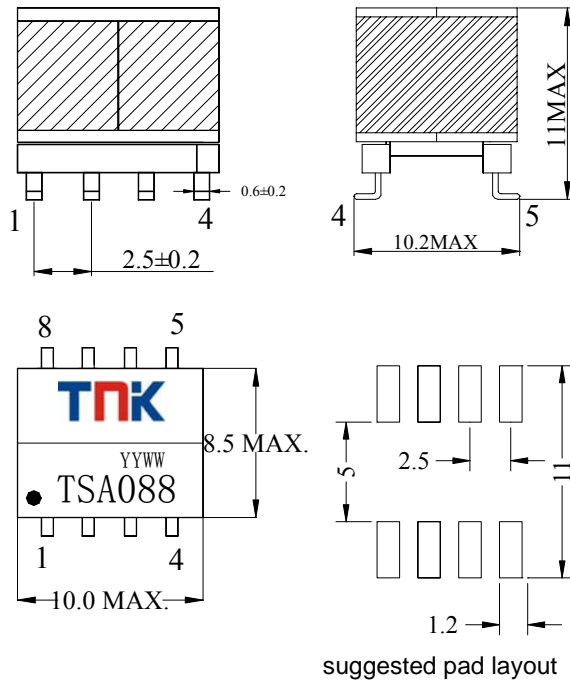
-  **Transformer**
-  **RoHS Compliance Product**
-  **Surface Mount Device Providing Compact Footprint**
-  **Operating temperature range: -40⁰C to +85⁰C**

Electrical Specifications @ 25°C

Part Number	Turns Ratio	OCL @100KHz 0.1V	DCR		Hi-Pot (VAC ,60Sec/1S)
			4-5 (短 3+4,5+6)	1-8	
TSA088	1:4±1%	2.7uH ±10%	288mΩ±20%	9mΩ±20%	500/625

Mechanical

Schematic



NOTE:

- 1、Dimensions:mm;
- 2、 Unless otherwise specified,tolerances:±0.25(mm);