



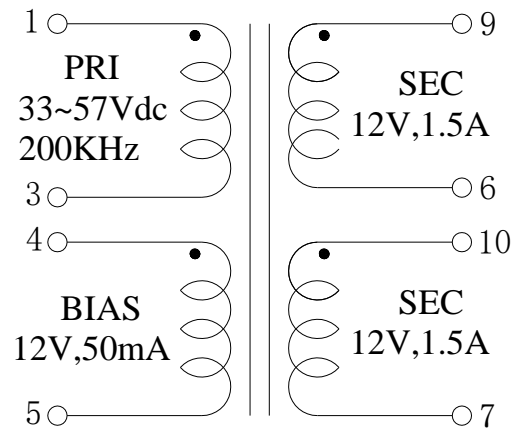
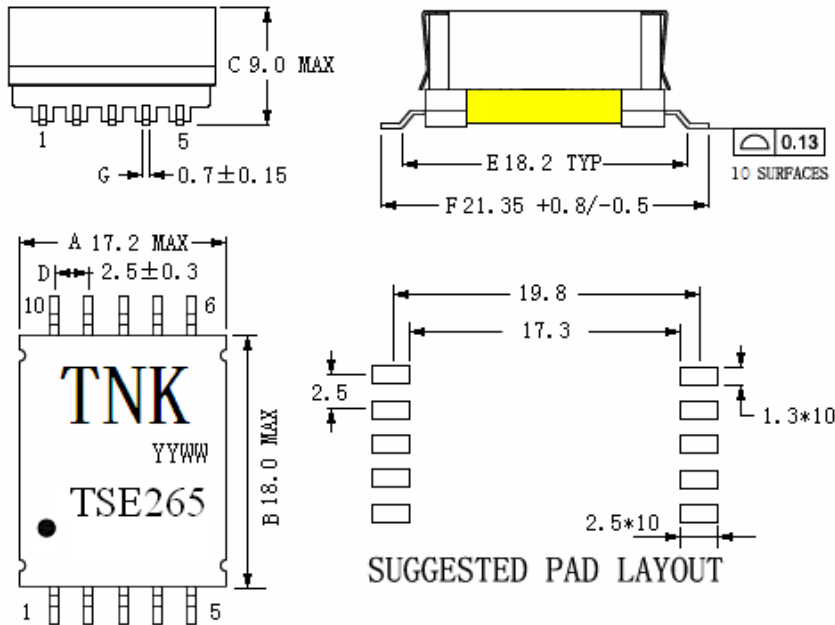
- Flyback Transformer
- RoHS Compliance Product
- Surface Mount Device Providing Compact Footprint
- Operating temperature range:-40⁰C to +85⁰C

Electrical Specifications @ 25°C

Part Number	Turns Ratio			OCL @200KHz 0.1V	LL @200KHz 0.1V	DCR(mΩ Max)				Hi-Pot (VDC 1mA 1Sec)
	1-3:4-5	1-3:9-6	1-3:10-7	1-3	1-3 (4-5-6-7-9-10short)	1-3	4-5	9-6	10-7	
TSE265	2:1±2%	2.67:1±2%	2.67:1±2%	41uH ±10%	0.67uH max	62	120	20	23	2250

Mechanical

Schematic



NOTE:

- 1、Dimensions:mm;
- 2、Unless otherwise specified,tolerances:±0.25(mm);