

# APPROVAL SHEET

Customer : EMBRACO

Title : Transformer

Custmer P/N : 193514004

TDK Part No : SRW10ES-U01V002

TDK CORPORATION

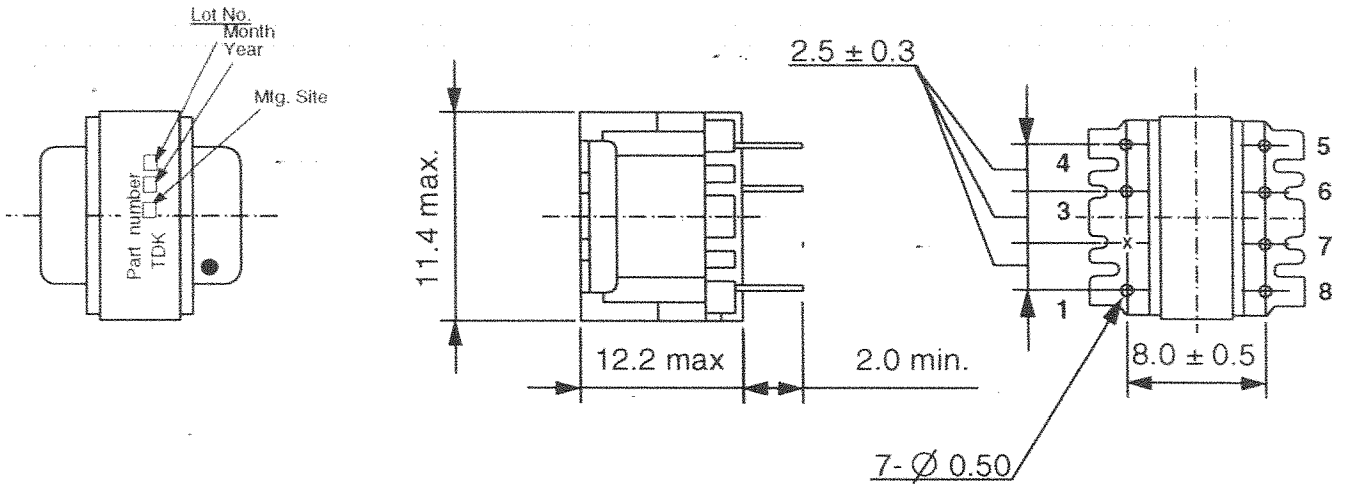
CEL Dwg No 0548 A

Dwg. No: 42A- 4294124 - B

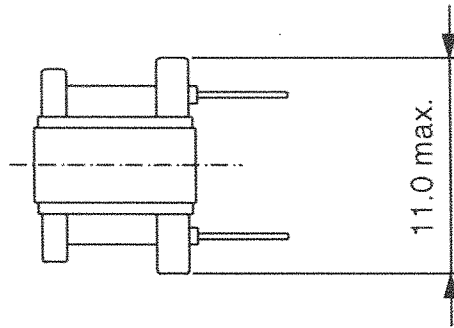
## REVISION TABLE

Name of Specification	Approval Specification		Customer	EMBRACO			
Model	SRW10ES-U01V002						
Revision		Request from	Revision Page/Item	Reason of Revision	Approved by	Checked by	Designed by
No	Rev. #						
1	A	Customer	2 of 4 Pin #2	Remove pin #2 to identify polarity	2/23/04 S. Kato	S. Kato	David
02/23/04							
2	B	Customer	2 of 4	Add Storage Temperature spec.	2/04/05 S. Kato	S. Kato	David
02/04/05							
3	/ /						
4	/ /						
5	/ /						
6	/ /						
7	/ /						
8	/ /						
9	/ /						
10	/ /						
11	/ /						
12	/ /						
13	/ /						
14	/ /						
15	/ /						
Special Note							
					Section Code : TUC/CEL		
					Approved	Checked	Designed
					2/23/04 S. Kato		2/13/2004 David
First issue	2/13/2004		Reference Specifications No		Specifications No. (Drawing No.)		
Abolition			CEL- 0548 - A		42A- 4294124 - B		

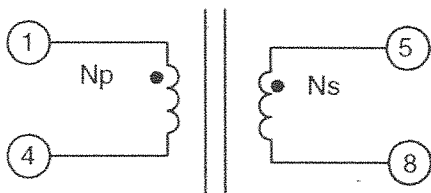
[1] Appearance & Dimension



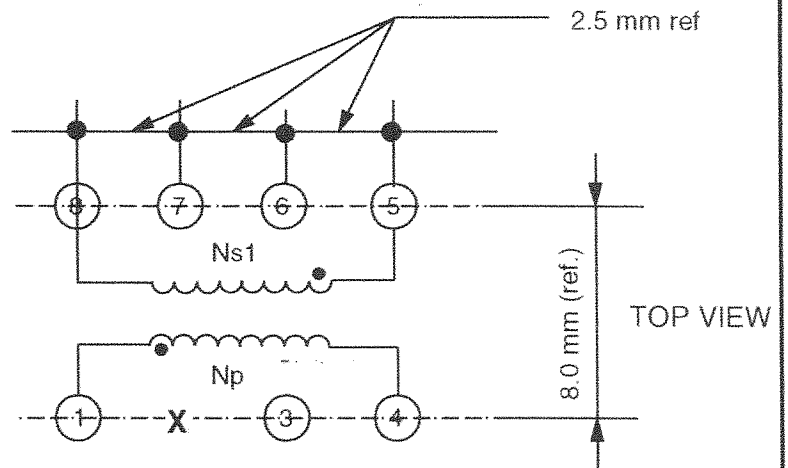
Notes: All Dimensions in mm.  
pin # 2 must be removed



Schematic:



PIN CONFIGURATION:

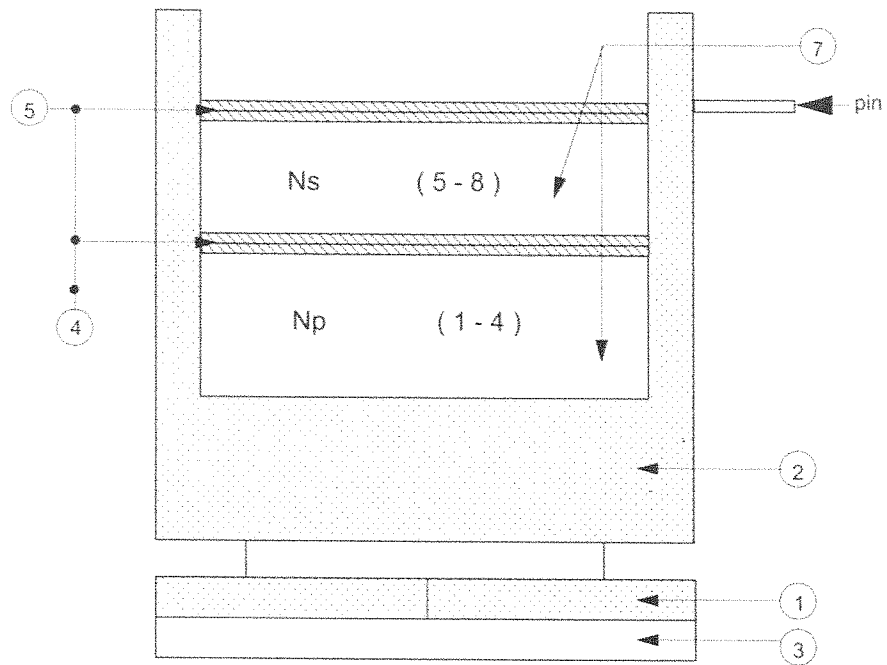


Storage Temperature  
-40 degrees C to +85 degrees C

Customer	Embraco	Designed	David Sanchez	02/04/2005
Model	SRW10ES-U01V002	Checked	<i>[Signature]</i>	<i>[Signature]</i>
TDK CORPORATION		Approved	<i>[Signature]</i>	2/9/05
		Dwg. No.	42A-4294124	B



**Construction :**



No	Item	Material	Base Thickness of One Layer	Layer	Minimum Thickness of Total Layers	UL File No.	Manufacturer
1	Core	Ferrite PC40					TDK Corporation
2	Bobbin	Phenolic Resin PM9820			0.800 mm	E41429	Sumitomo Bakelite Co., LTD.
		Phenolic Resin T375J, T357				E59481	Chang Chun Plastics Co., LTD.
3	Fixing Tape for Core	Polyester Tape No.35660(MY95),No.35661 or No.632S or No.1350F,1318	0.025mm	2	0.050 mm	E50292	Four Pillars Enterprise Co., LTD.
						E56086	Teraoka Seisakusho Co., LTD.
						E17385	3M
4	Insulation Tape	Same as No. 3	0.025mm	2	0.050 mm	Same as No.3	
5	Insulation Tape	Same as No.3	0.025mm	2	0.050 mm	Same as No.3	
6							
7	Wire (Np, Ns)	Polyurethane Enamelled Copper Wire 0.20mm or equivalent				E169536	Hui Hong (Hui Zhou) Co., LTD.
						E174837	Jung Shin Wire Co., LTD. (UEW-2)
						E158025	Hung Hsang Wire Mfg. Co., LTD.
						E196072	Dongguan Prosperity Electric Wire & Cable Co.
						E85640	Tai-I Wire Industrial Co., LTD. or equivalent
8	Varnish	Epoxy Varnish TVB-2024 or Equivalent					Kyocera Chemical Co. or equivalent

Customer	<b>Embraco</b>	Designed	David Sanchez	02/23/2004
Model	SRW10ES-U01V002	Checked	<i>[Signature]</i>	<i>[Signature]</i>
<b>TDK CORPORATION</b>		Approved	<i>[Signature]</i>	2/23/04
		Dwg. No.	<b>42A- 4294124</b>	<b>B</b>