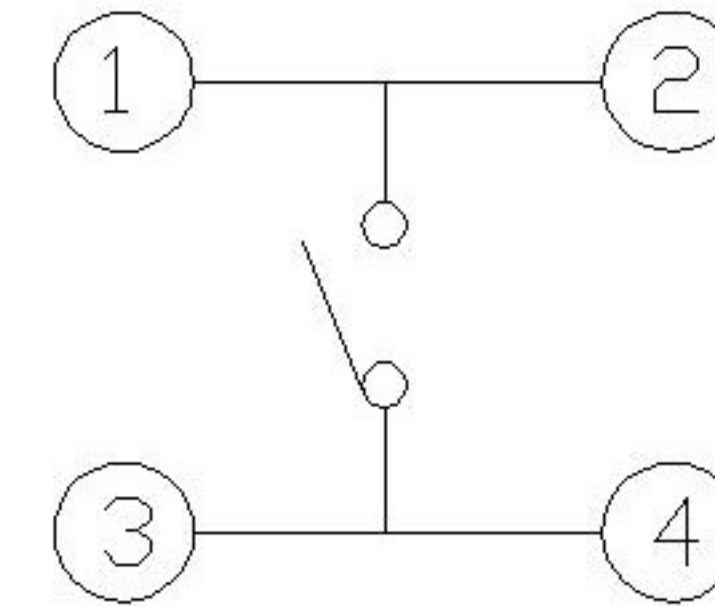
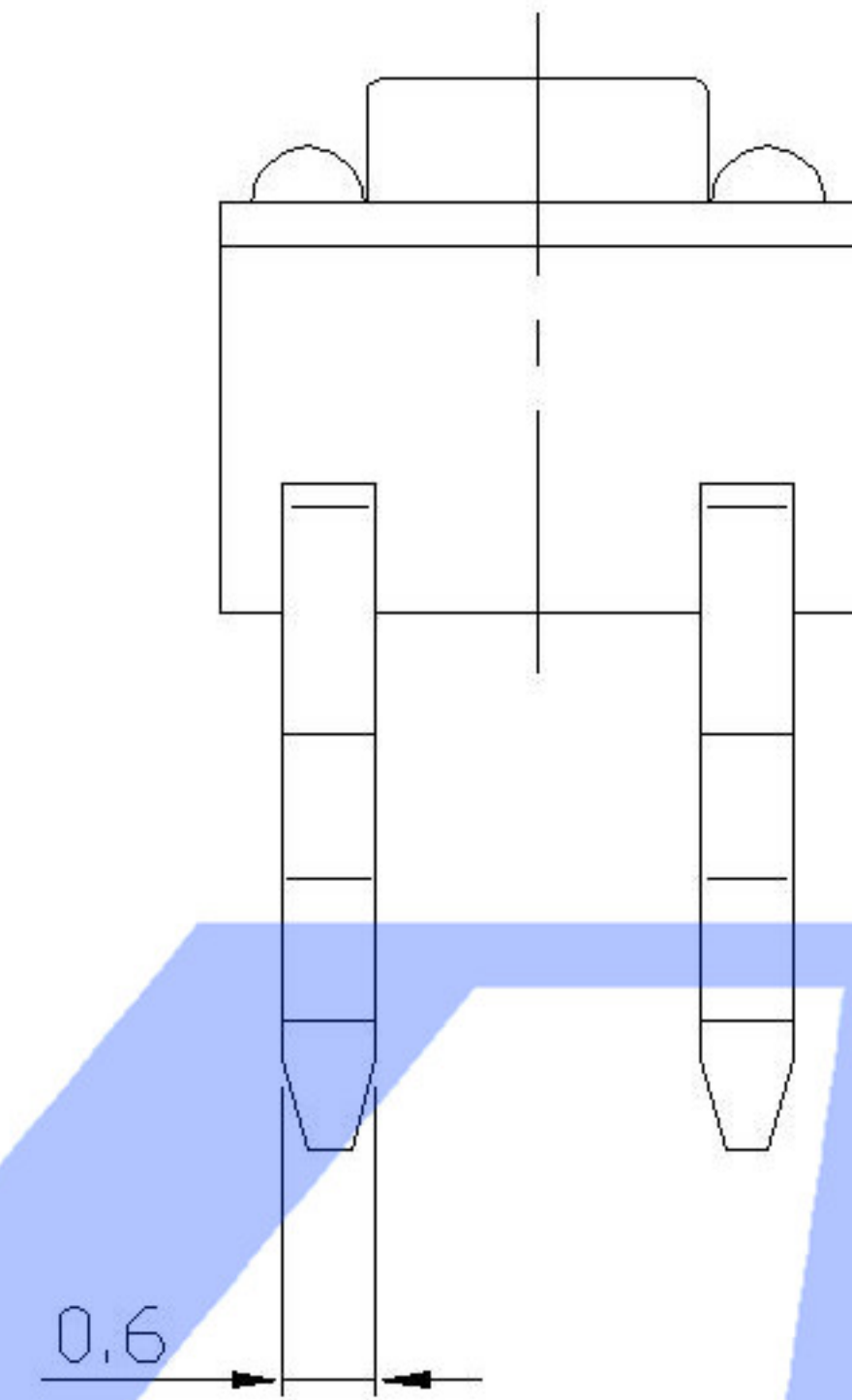
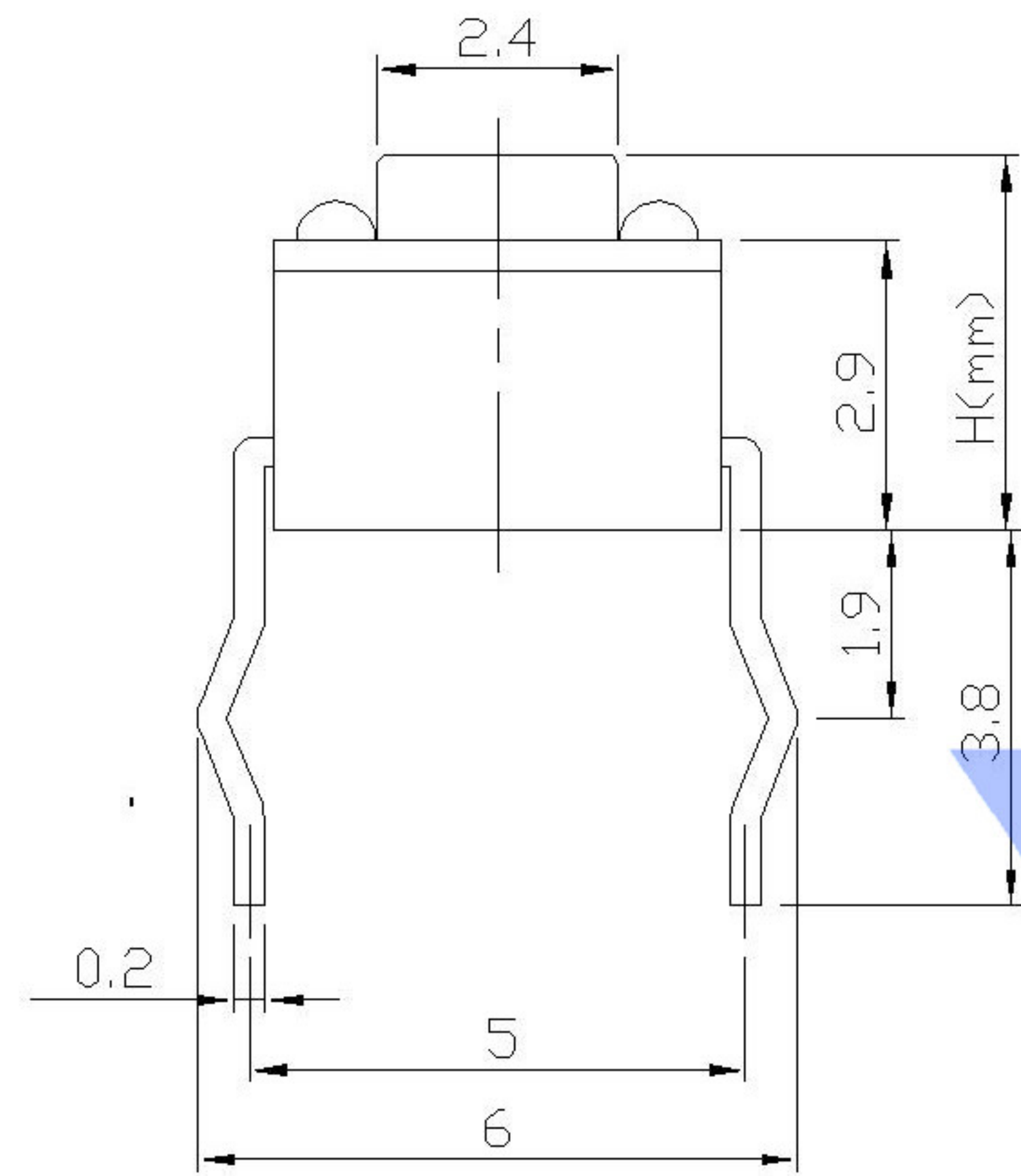


CIRCUIT DIAGRAM

Code-X	H
A	3.8
B	4.3
C	4.5
D	5.0
E	5.5
F	6.0
G	6.5
H	7.0
I	7.5
J	8.0
K	8.5
L	9.0



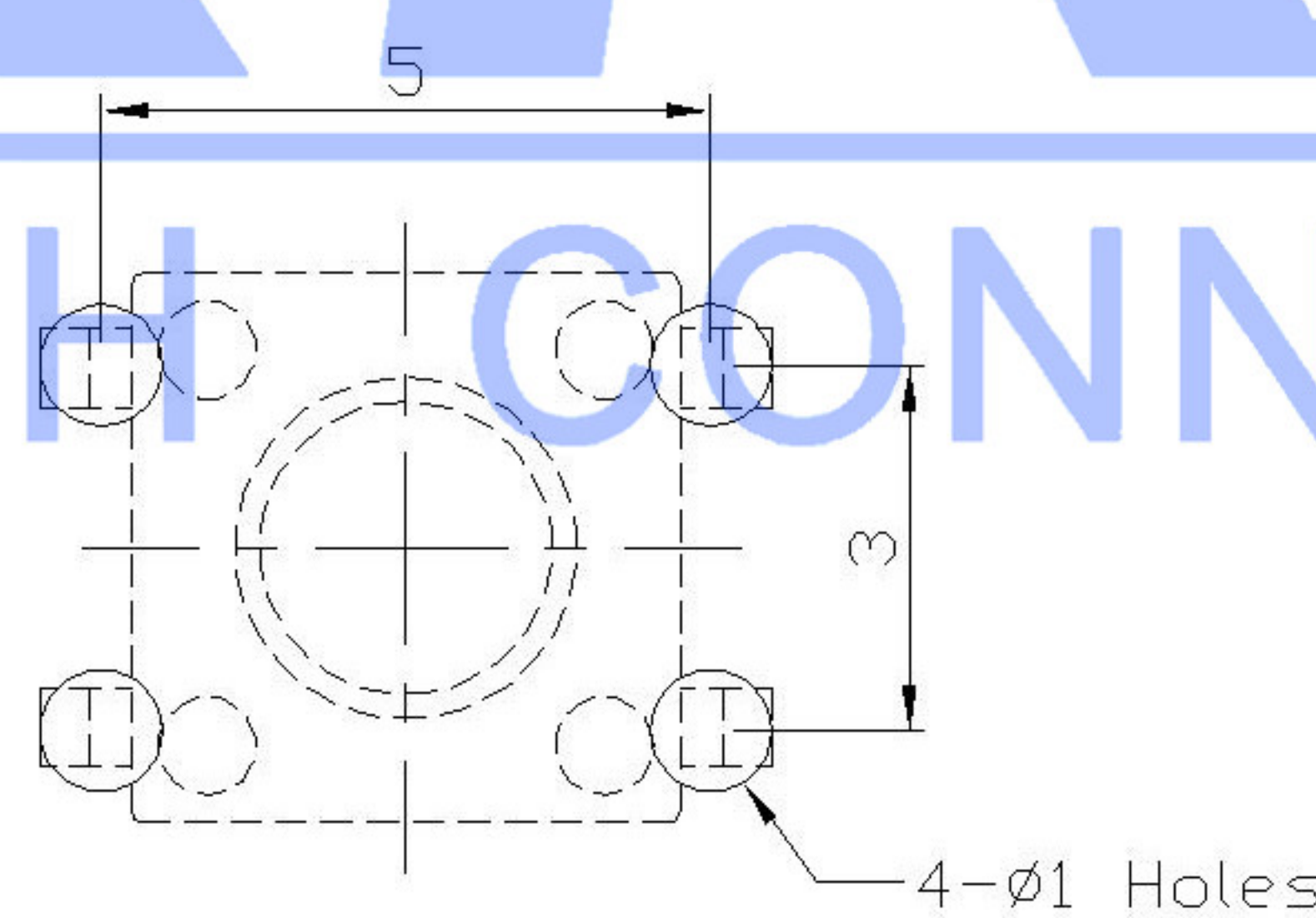
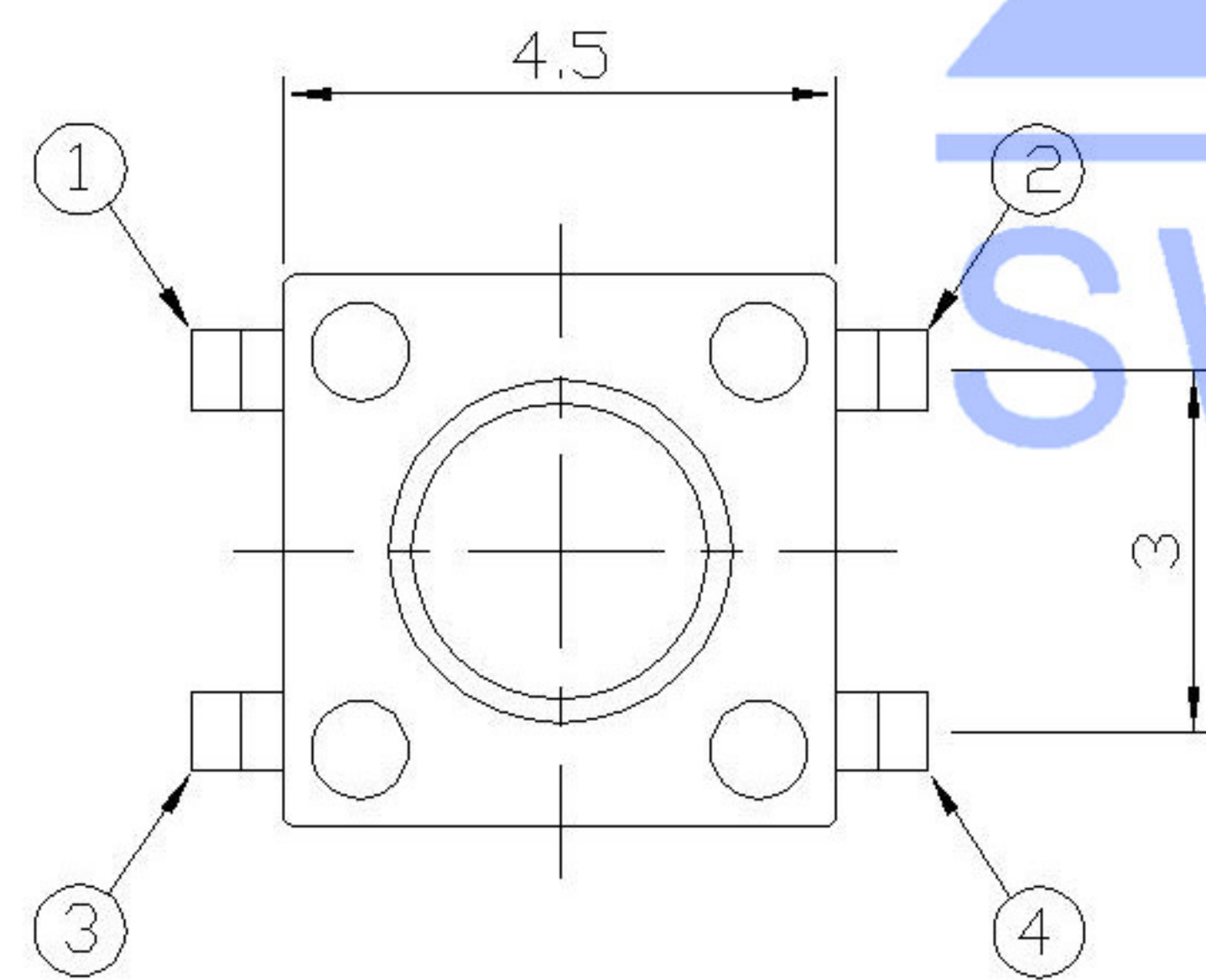
XKB

P.C.B MOUNTING PATTERN DIMENSION
The following soldering patterns are recommended for reflow soldering

SPECIFICATION

Contact Rating 50mA 12V DC
Contact Resistance 100mΩ max.
Insulation Resistance 100MΩ min. 500V DC
Dielectric Strength 250V AC/1 minute
Travel 0.25mm
Operating Temp. -25°C ~ +70°C
Storage Temp. -30°C ~ +80°C

PAPT NO	TC-1109-X-X
Operating Force	A: 100gf B: 160gf C: 260gf
Height	Code-X



SWITCH CONNECTOR

ITEM	PAPT NAMF	TER.NO	QTY	MATERIAL	FINISHING	REMARK
⑤	Terminal	—	4	Brass (0.30t)	ag Plated	—
④	Contact	—	1	F.ag/SUS	—	—
③	Base	—	1	PA46	—	—
②	Cover	—	1	Brass	Tin plated	—
①	Keystake	—	1	PA46	—	—

DSND	DATE	SCALE: N/A	MODEL TYPE: TACT SWITCH
DWN	DATE	VIEW:	PART NO.:
CHKD	DATE	UNIT: mm	DWG NO.:
APPD	DATE	SIZE: A4	TC-1109-X-X
XKB INDUSTRIAL PRECISION CO.,LIMITED		WEIGHT 1.0g	SHEET 1/1
		REVISION A0	

MARK	DESCRIPTION	DATE	REVISED	APPROVED	units: mm	tolerance:
Δ X					X.X	±0.2mm
Δ X					X.XX	±0.1mm
Δ X					X.XXX	±0.05mm
REVISIONS					UNSPECIFIED TOLERANCES	
www.xk-dg.cn www.helloxkb.com www.helloxkb.cn						