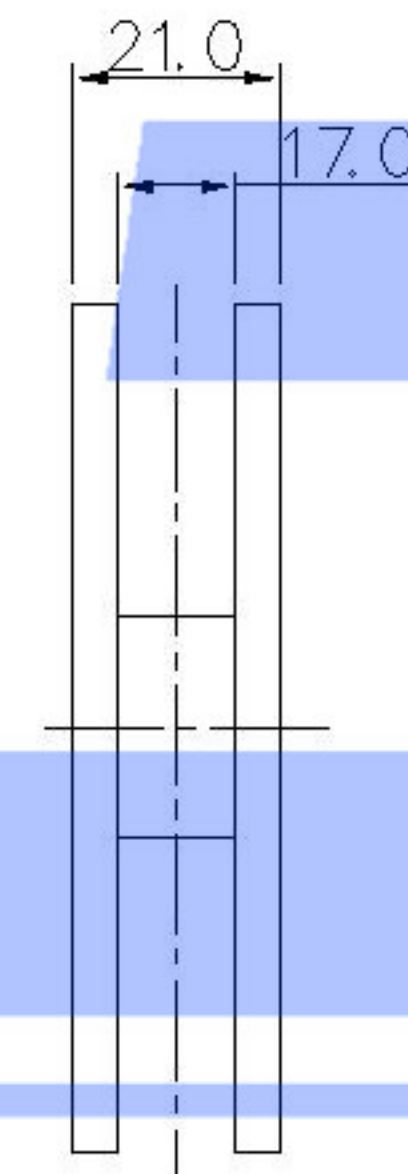
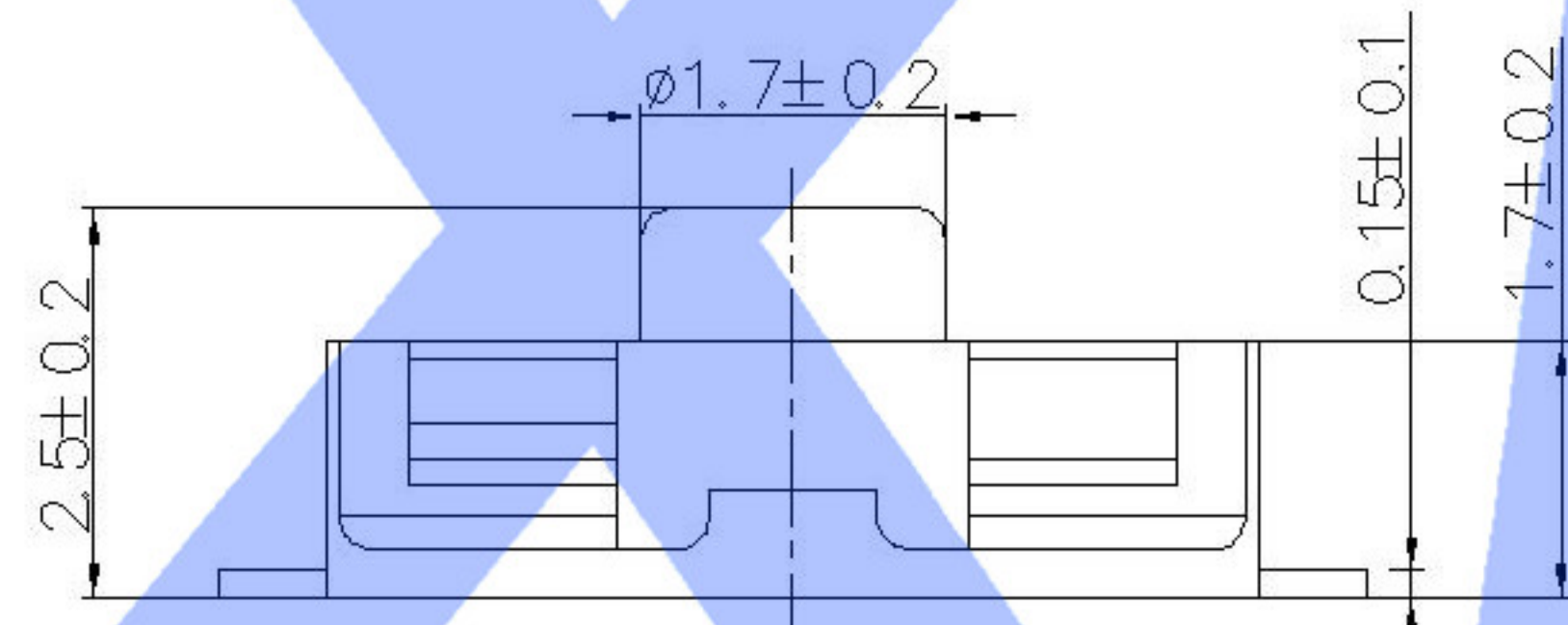
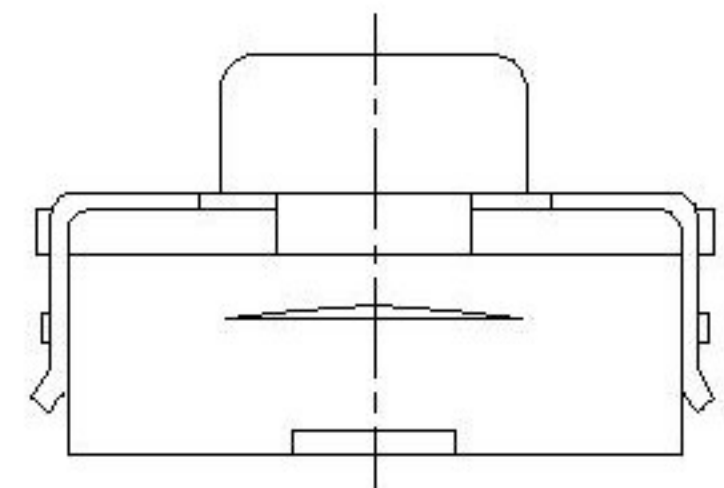
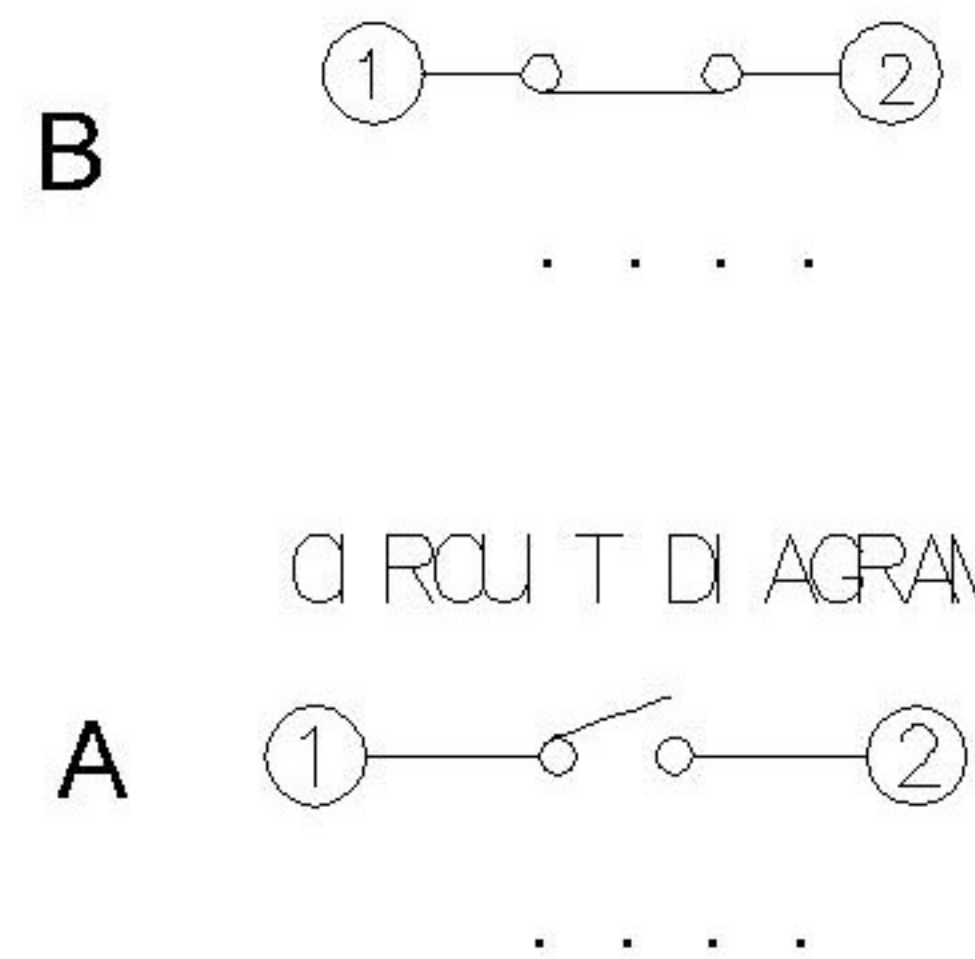


SPECIFICATION

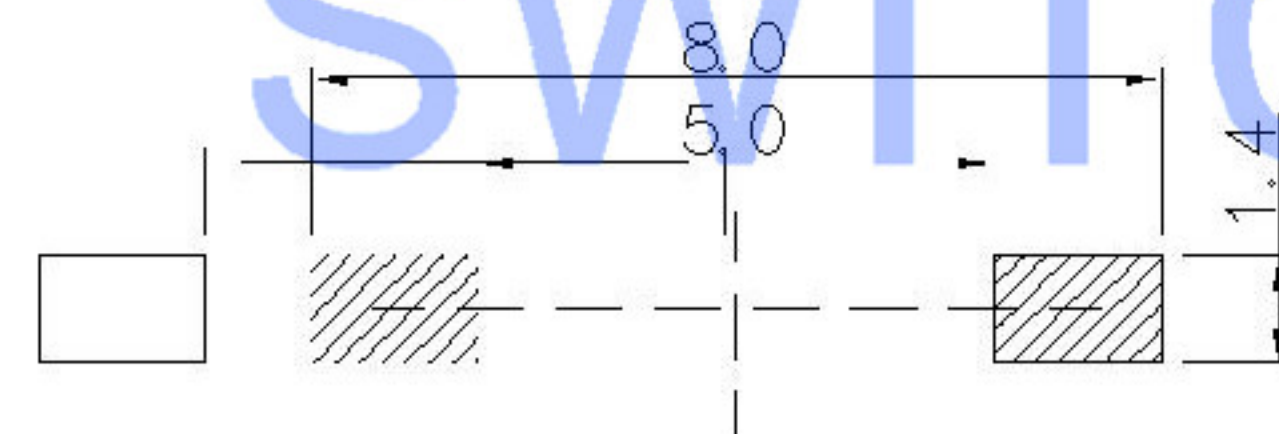
Contact Rating: 50mA,12V DC
 Contact Resistance: 100mΩ max
 Insulation Resistance: 100mΩ min.500V DC
 Dielectric Strength: 250V AC/1minute
 Travel: 0.25mm
 Operating Temp: -30℃~+85℃
 Storage Temp: -30℃~+80℃



PART NO	TS-1105G-X-X-A
Operating Force	A:100gf B:160gf C:260gf
Height	II:2.5
color	B:black BL:blue
line	A: Normally open B:Normally closed



P.C.B MOUNTING HOLES



PACKING REEL TYPE 3,000/1REEL(EA)

⑤	Terminal	—	2	Brass (0.30t)	Plating silvering	—
④	Contact	—	1	F.ag/Sus	Natural	—
③	Base	—	1	Pa46		—
②	Cover	—	1	Spcc	Plating Nickel	—
①	Keystake	—	1	Silica gel		—
ITEM	PAPT NAMF	TER,NO	QTY	MATERIAL	FINISHING	REMARK

					units: mm	DSND	DATE	SCALE: N/A	MODEL TYPE: TACT SWITCH		
					tolerance:	DWN	DATE	VIEW:	PART NO.:		
					X.X ±0.2mm	CHKD	DATE	UNIT: mm	DWG NO.:		
					X.XX ±0.1mm	APPD	DATE	SIZE: A4	TS-1105G-X-X-A		
					X.XXX ±0.05mm				WEIGHT	SHEET	REVISION
REVISIONS					UNSPECIFIED TOLERANCES	XKB INDUSTRIAL PRECISION CO.,LIMITED			1.0g	1/1	A0
MARK	DESCRIPTION	DATE	REVISED	APPROVED							
ΔX											
ΔX											
ΔX											
www.xk-dg.cn www.helloxkb.com www.helloxkb.cn											