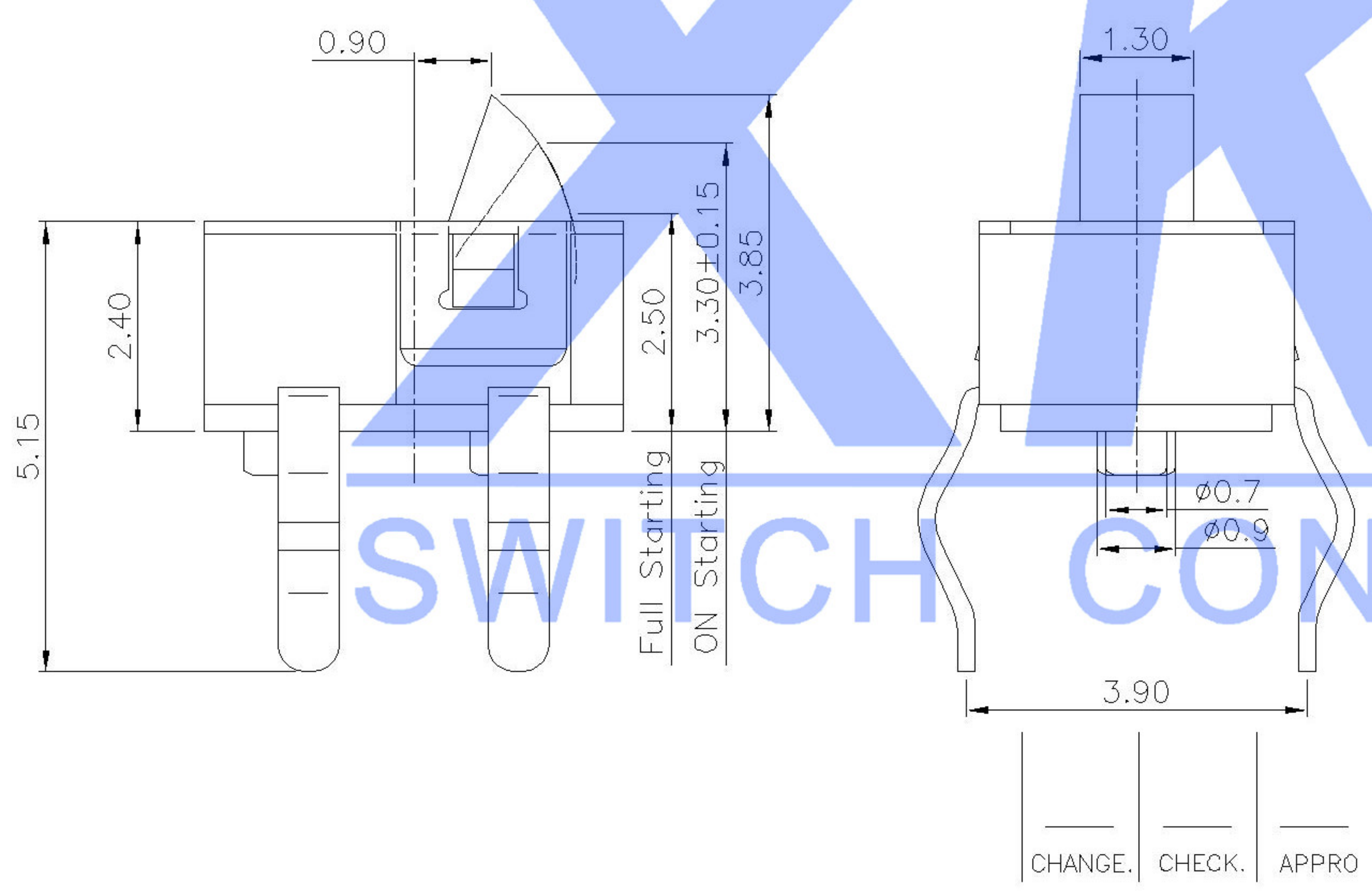


NOTE:  
 Rating: DC 30V 0.1A  
 Operating Force:  $30 \pm 10$ gf  
 Lifetime: 100,000 Cycles



PART NO.	
TM-8764A-1	TM-8764A-2

ITEM	PART NAME	TER,NO	QTY	MATERIAL	FINISHING	REMARK
⑤	Contact Spring	—	1	Phosphor Bronze	Plating silver	—
④	Terminal	—	4	Phosphor Bronze	Plating silver	—
③	Base	—	1	Lcp	—	—
②	Cover	—	1	Sus	Natural	—
①	Keystake	—	1	Nylon	—	—

CHANGE. CHECK. APPRO

MARK	DESCRIPTION	DATE	REVISED	APPROVED	ANGULAR	±5°	DSND	DATE	SCALE: N/A	MODEL TYPE: DETECT SWITCH	
△X					X.X	±0.2mm	DWN	DATE	VIEW:	PART NO.:	
△X					X.XX	±0.1mm	CHKD	DATE	UNIT: mm	DWG NO.:	
△X					X.XXX	±0.05mm	APPD	DATE	SIZE: A4	TM-8764A-X	
REVISIONS							UNSPECIFIED TOLERANCES		XKB INDUSTRIAL PRECISION CO.,LIMITED		
www.xk-dg.cn		www.helloxkb.com		www.helloxkb.cn		WEIGHT	SHEET	REVISION			
						1.0g	1/1	A0			