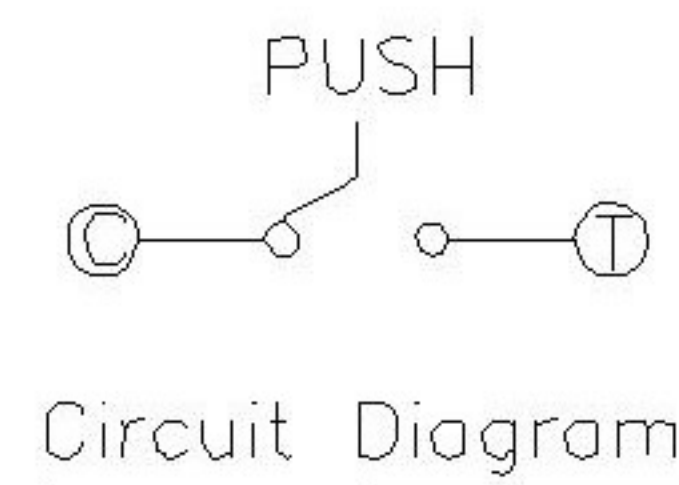


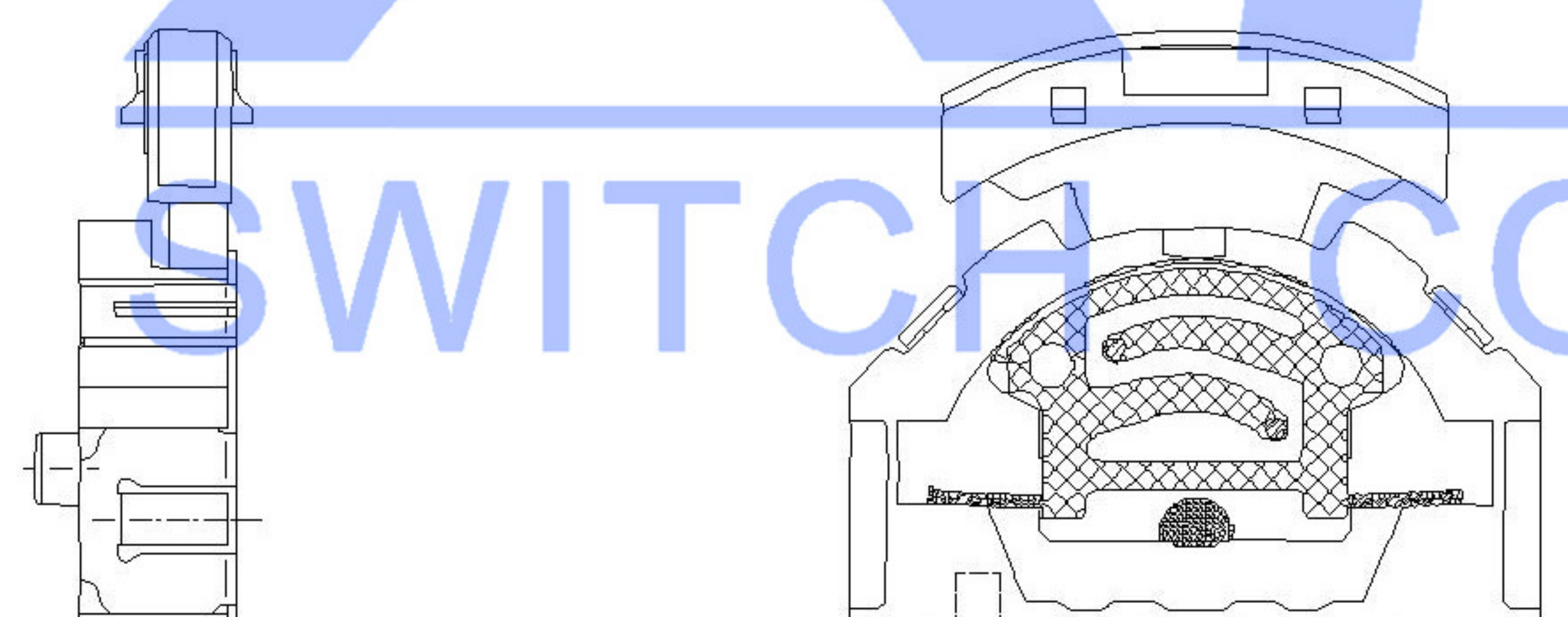
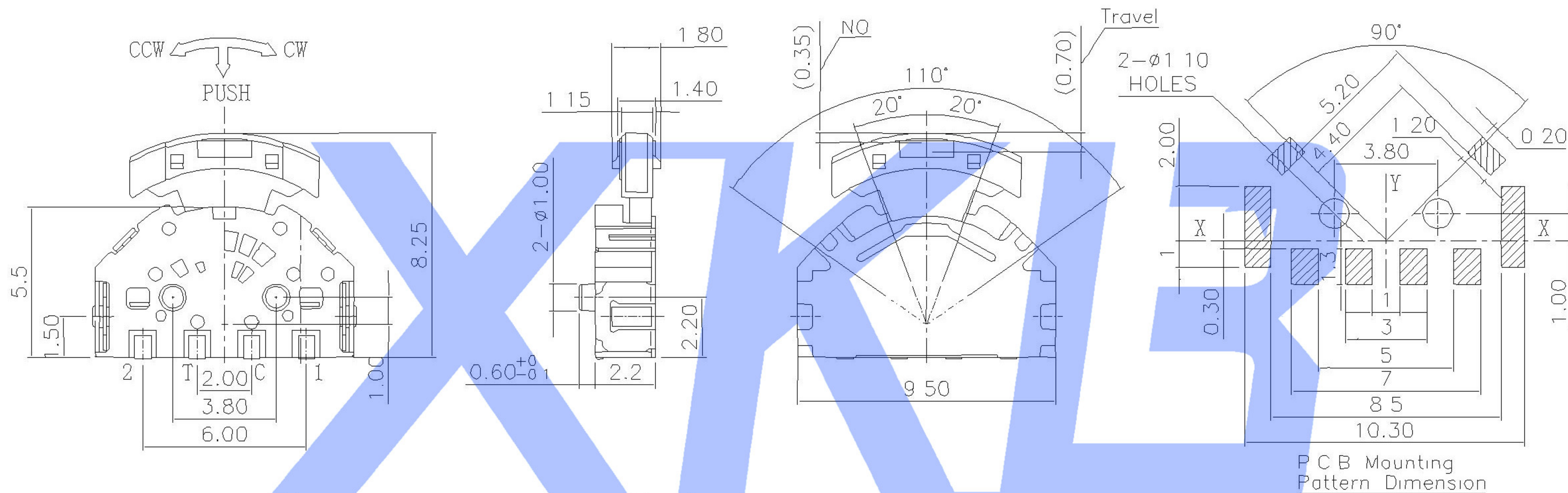
TER	ANG	0° (▨=NO)			
		(20°)	(15°)	(15°)	(20°)
①		▨			
②				▨	
③		▨	▨	▨	▨

CCW ————— CW

CODE TABLE



NOTE:
Operating Force:
lever portion 100 ± 30 gf
Push portion 205 ± 50 gf



⑥	Terminal	—	4	Brass(0.15t)	Plating silver	—
⑤	Contact	—	1	F.ag/Brass	Plating silver	—
④	Base	—	1	Nylon		—
③	Spring	—	1	Sus	Natural	—
②	Cover	—	1	Sus	Natural	—
①	Keystake	—	1	Nylon		—
ITEM	PAPT NAMF	TER.NO	QTY	MATERIAL	FINISHING	REMARK

MARK	DESCRIPTION	DATE	REVISED	APPROVED	ANGLAR	±5°	DSND	DATE	SCALE: N/A	MODEL TYPE: MULTI-FUNCTIONAL SWITCH		
△X					X.X	±0.2mm	DWN	DATE	VIEW:	PART NO.:		
△X					X.XX	±0.1mm	CHKD	DATE	UNIT: mm	DWG NO.:		
△X					X.XXX	±0.05mm	APPD	DATE	SIZE: A4	TM-2025A		
UNSPECIFIED TOLERANCES							XKB INDUSTRIAL PRECISION CO.,LIMITED			WEIGHT 1.0g	SHEET 1/1	REVISION A0