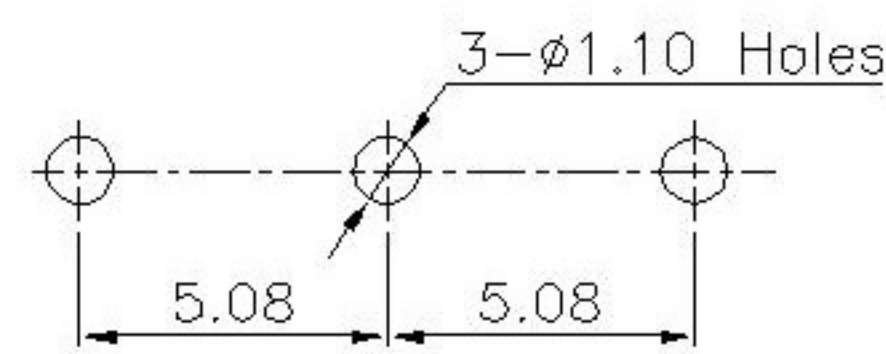
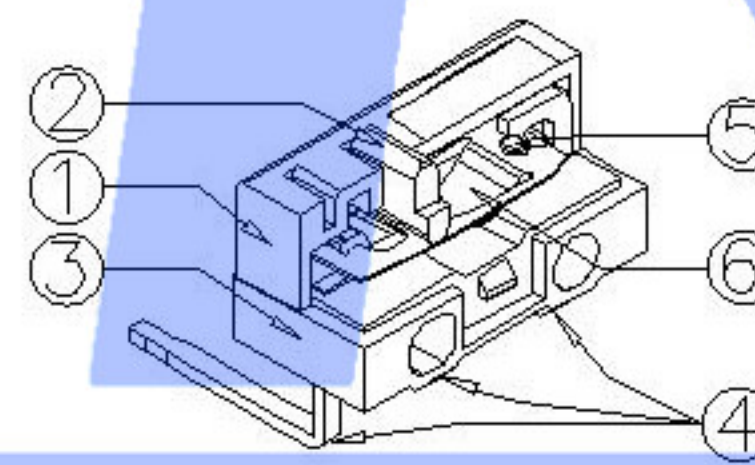
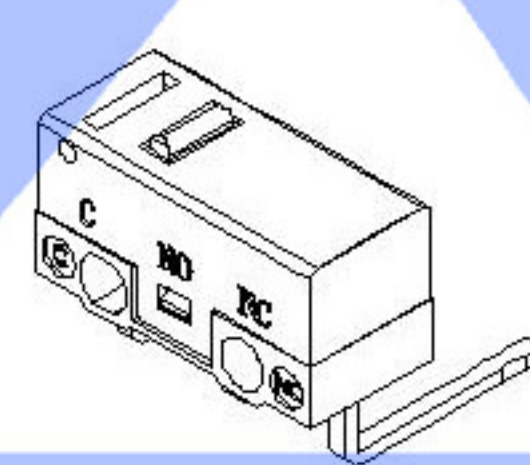
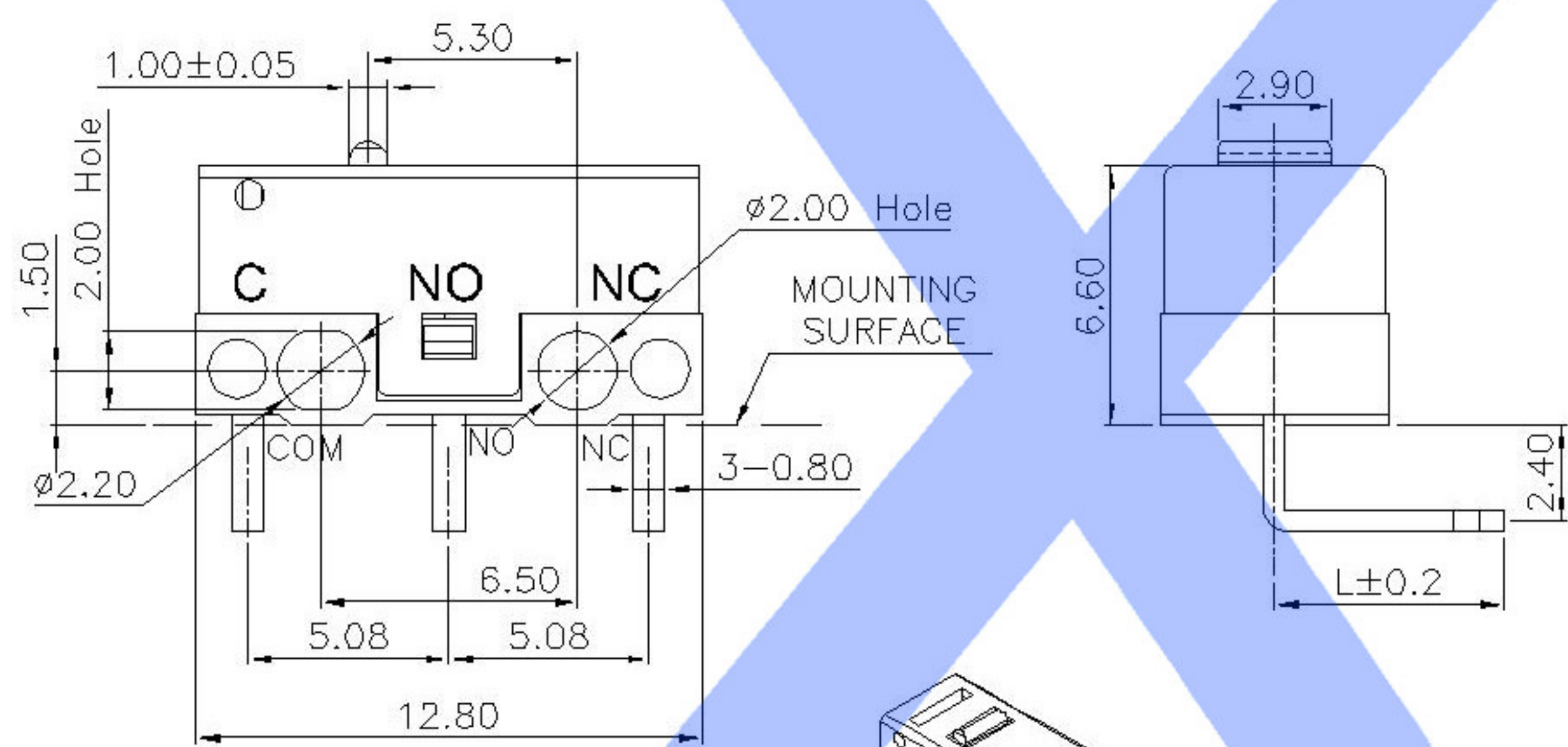


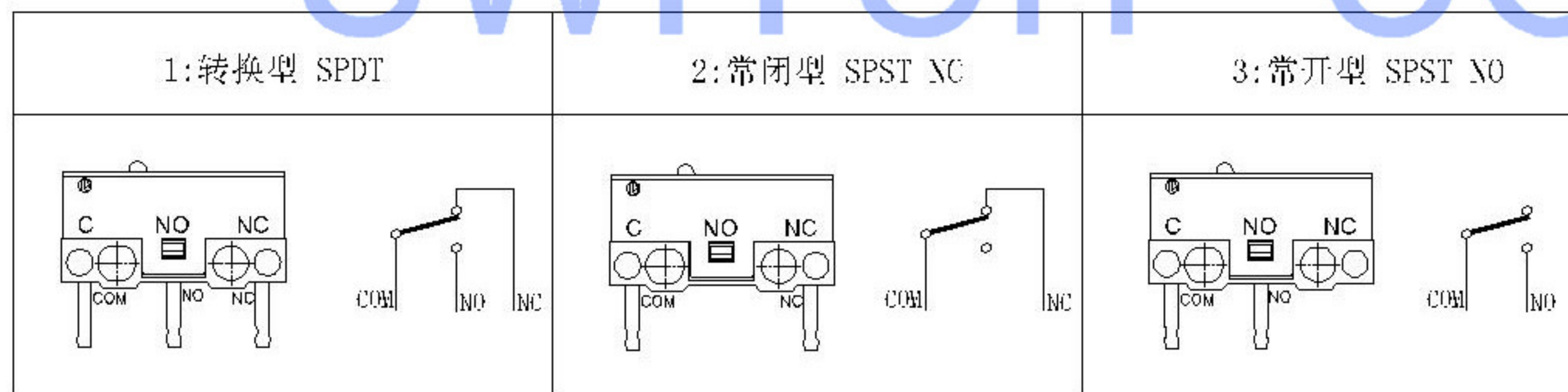
Circuit Diagram



P.C.B layout

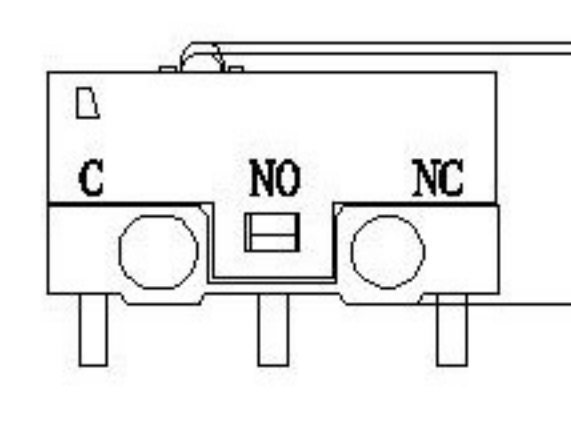
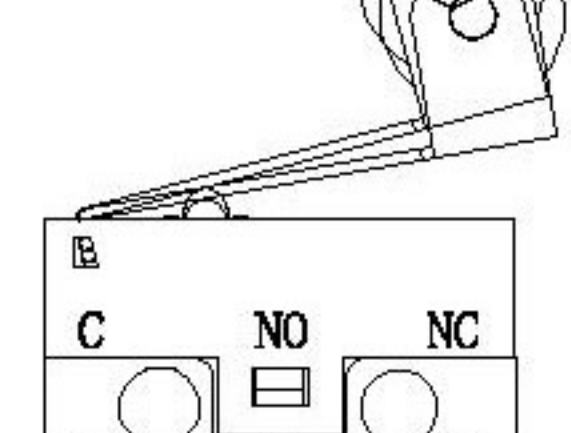
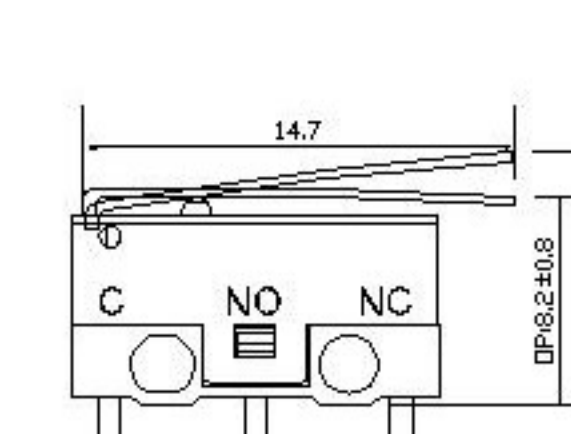
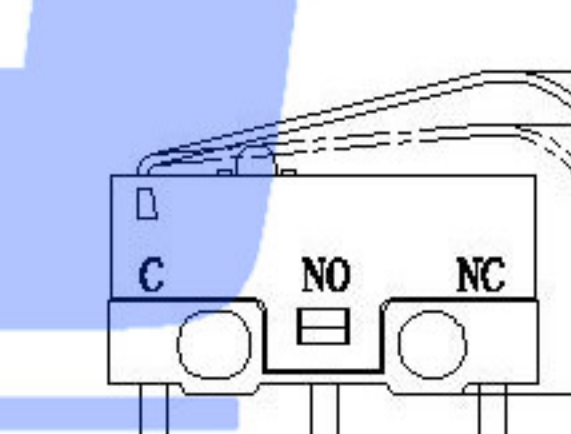
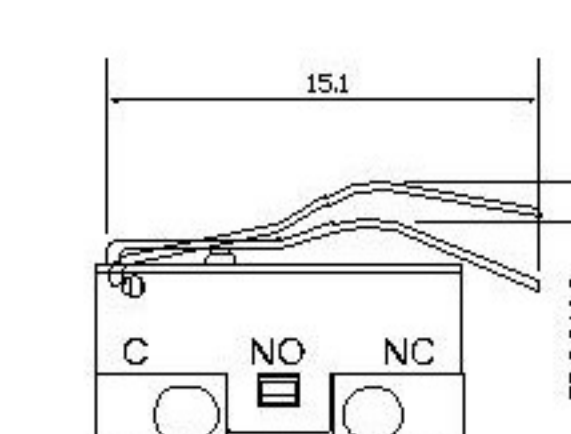
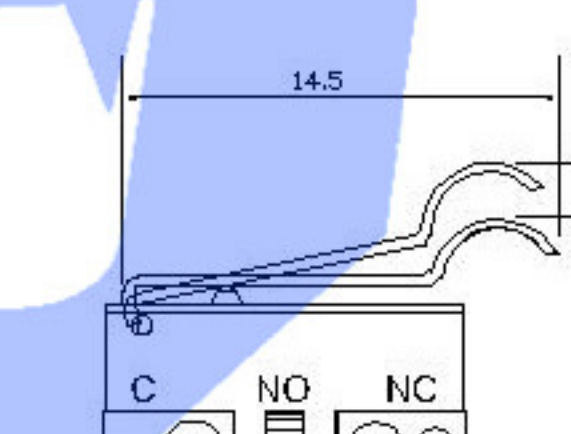
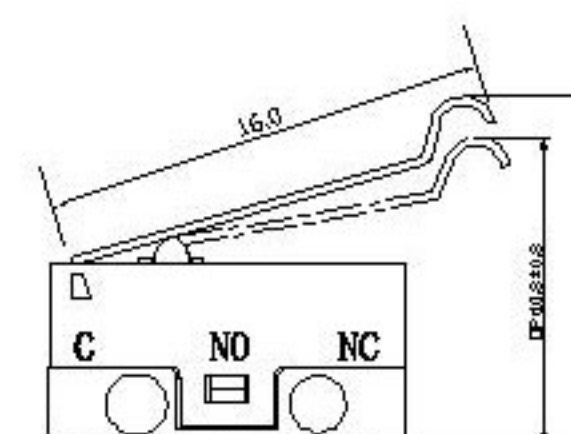
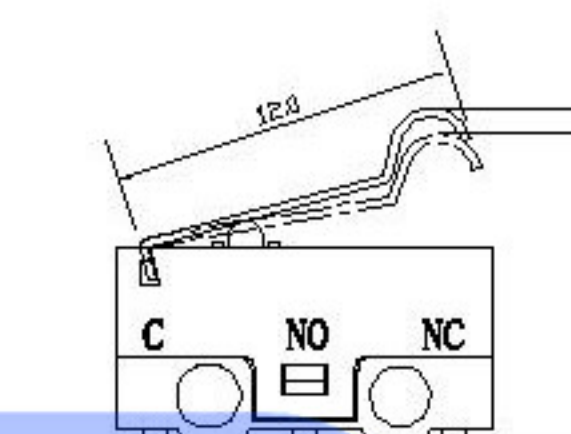
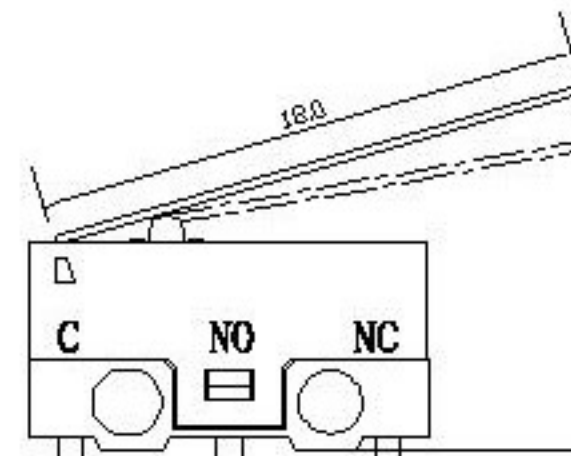
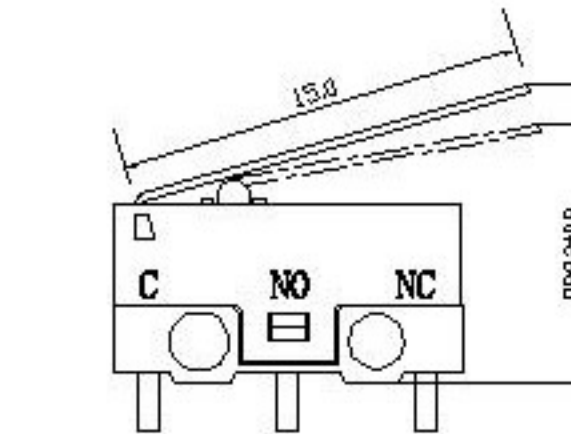
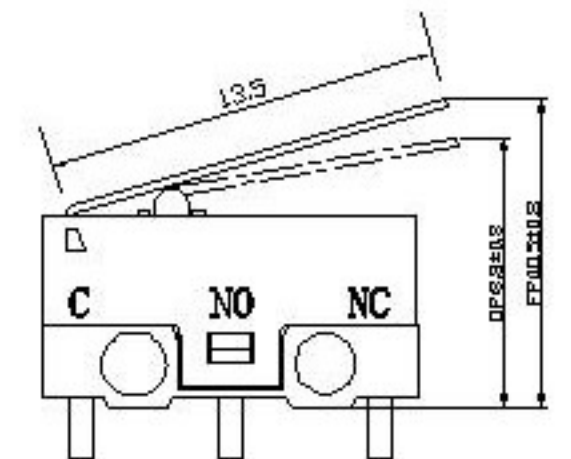
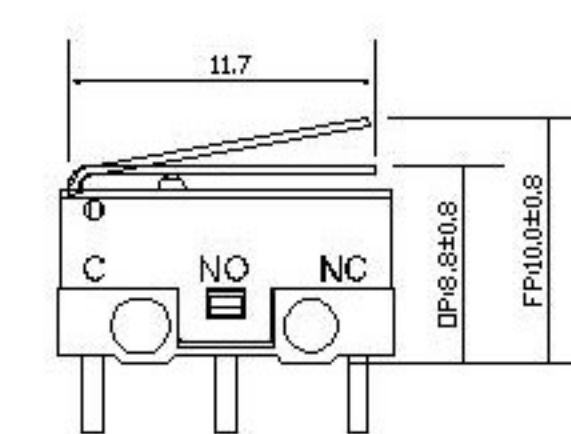
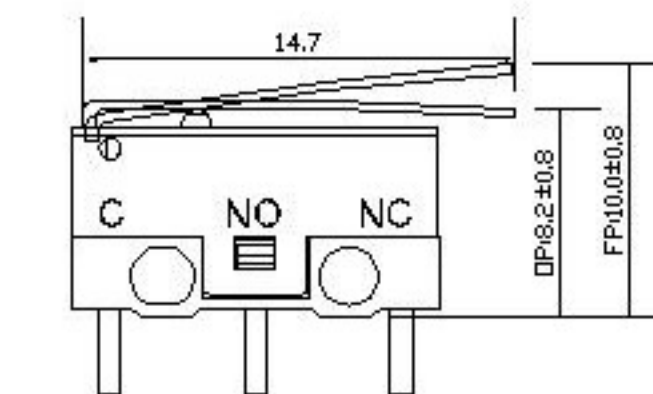
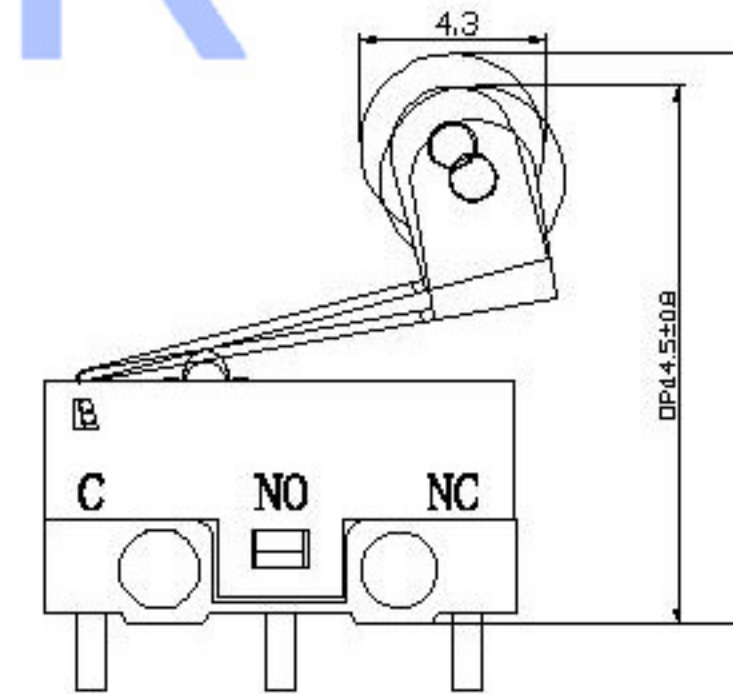


SWITCH CONNECTOR



DMX-XXXX-X

1: 1A以下
3: 3A



MARK	DESCRIPTION	DATE	REVISED	APPROVED	UNSPECIFIED TOLERANCES	DSND	DATE	SCALE: N/A	MODEL TYPE: MICRO SWITCH
△ X					ANGLAR ±5°	DWN	DATE	VIEW:	PART NO.:
△ X					L ≤ 4 ±0.2	CHKD	DATE	UNIT: mm	DWG NO.:
△ X					4 < L ≤ 16 ±0.3	APPD	DATE	SIZE: A4	DMX-XXXX-X
					16 < L ≤ 63 ±0.4				WEIGHT
					L > 63 ±0.5				1.0g
									SHEET
									1/1
									REVISION
									A0

XKB INDUSTRIAL PRECISION CO., LIMITED

www.xk-dg.cn www.helloxkb.com www.helloxkb.cn