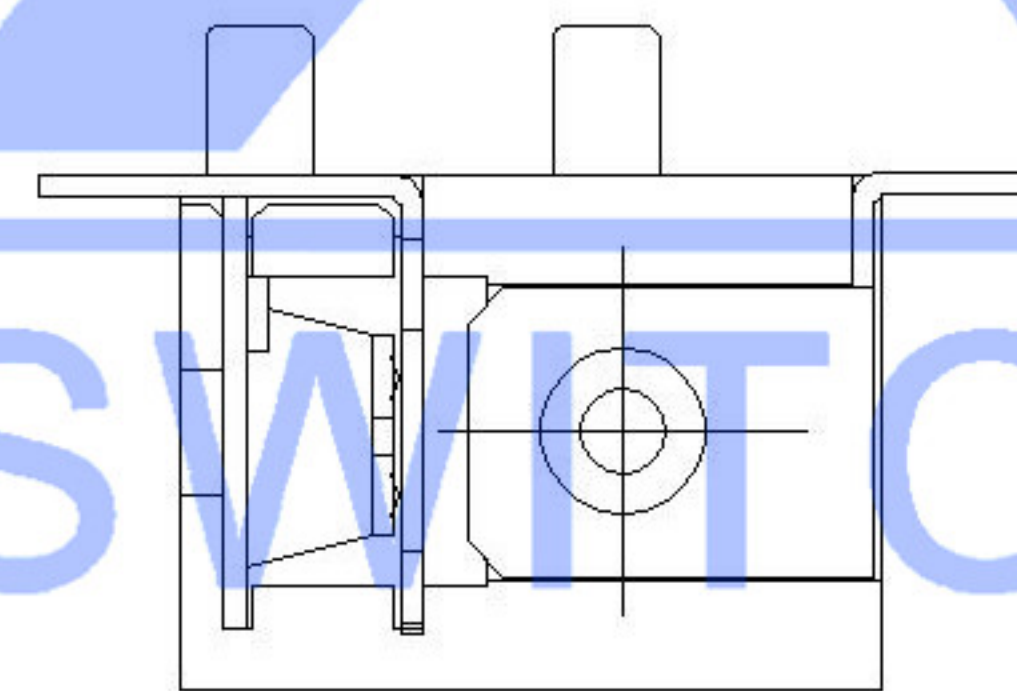


P.C.B LAYOUT TOP VIEW



SCHEMATIC	
Model	DC-044D-2.5A
Center Pin	Ø2.0 mm
	Ø2.5 mm

	MATERIAL	PLATING
center pin	Brass	tin
terminal 1	Brass	tin
terminal 2	Phosphor Bronze	tin
terminal 3	Brass	tin
plastic	Pbt	

MARK	DESCRIPTION	DATE	REVISED	APPROVED	UNSPECIFIED TOLERANCES	DSND	DATE	SCALE: N/A	MODEL TYPE: DC POWER JACK		
△ X					ANGLAR ±5°	DWN	DATE	VIEW:	PART NO.:		
△ X					X.X ±0.2mm	CHKD	DATE	UNIT: mm	DWG NO.:		
△ X					X.XX ±0.1mm	APPD	DATE	SIZE: A4	DC-044D-2.5A-2.5-SMT		
△ X					X.XXX ±0.05mm	KKB INDUSTRIAL PRECISION CO.,LIMITED			WEIGHT	SHEET	REVISION
MARK									1.0g	1/1	A0