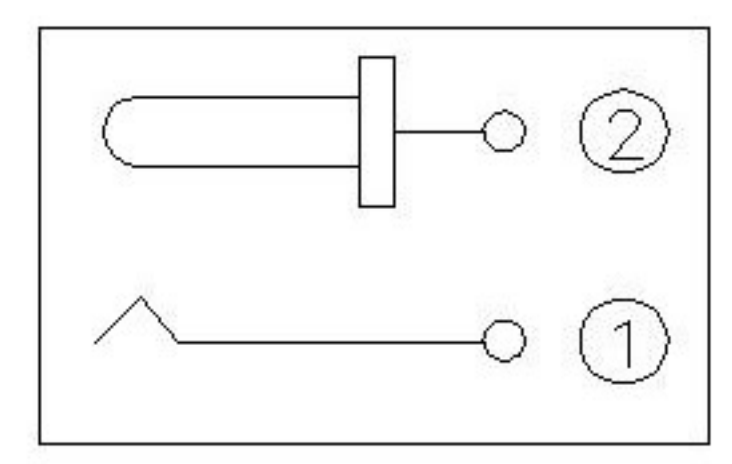
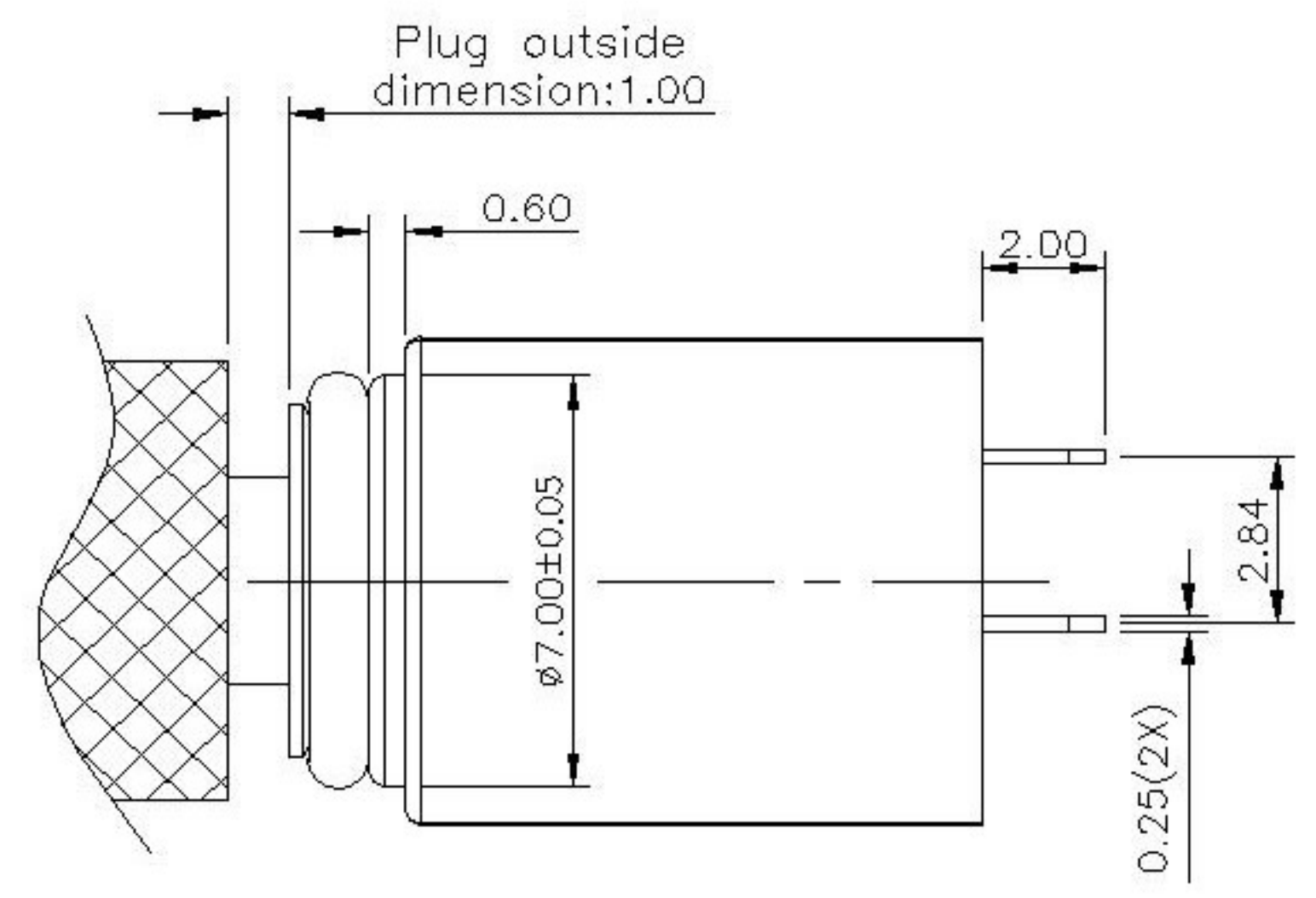
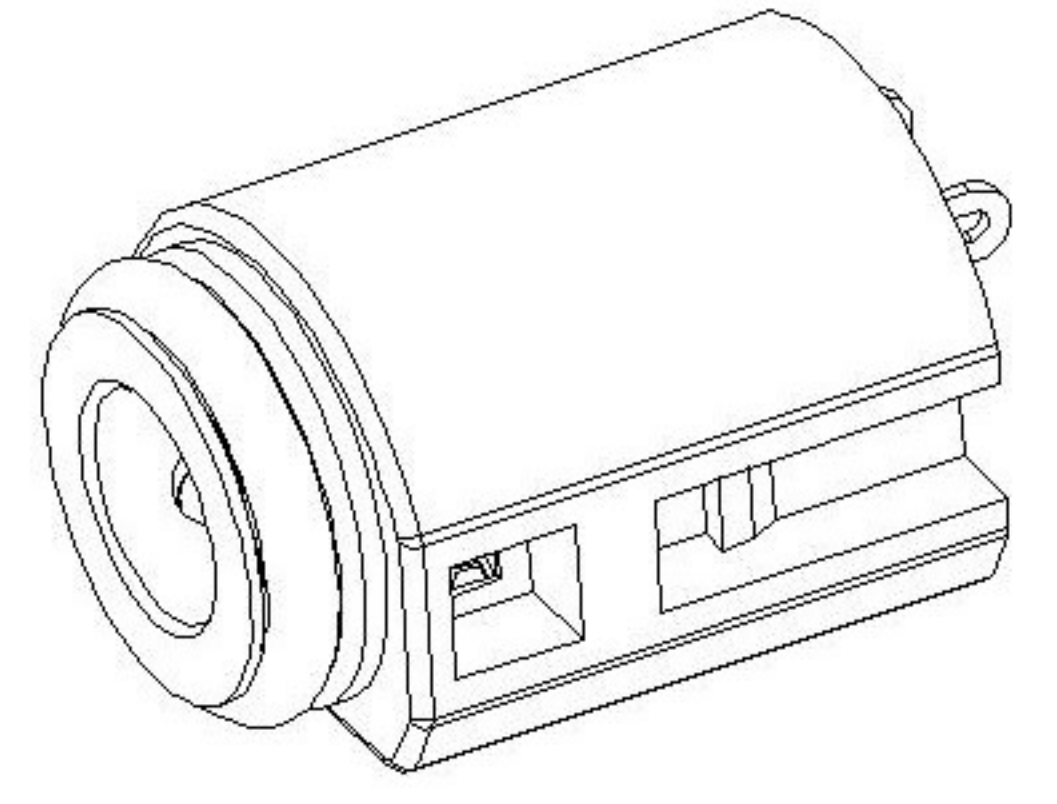


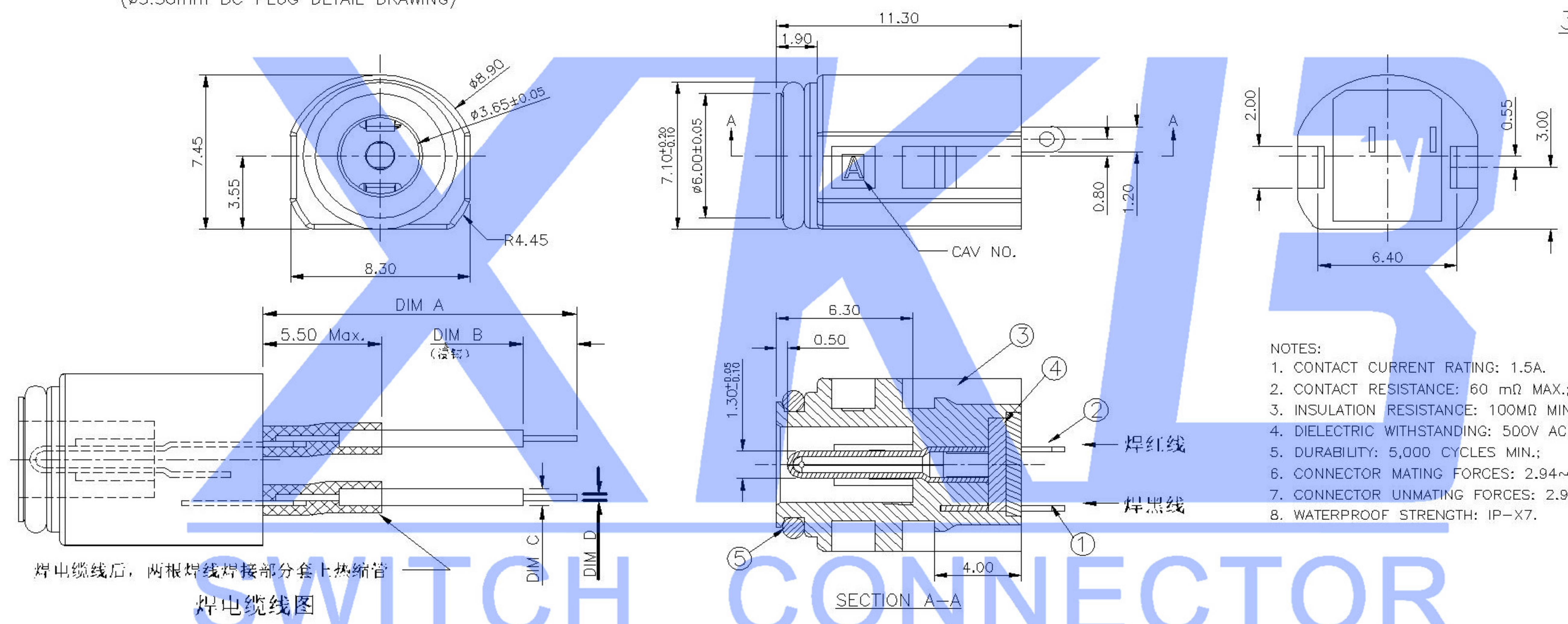
($\phi 3.50$ mm DC PLUG DETAIL DRAWING)



SCHEMATIC



3D VIEW



- NOTES:
- CONTACT CURRENT RATING: 1.5A.
 - CONTACT RESISTANCE: 60 m Ω MAX.;
 - INSULATION RESISTANCE: 100M Ω MIN.;
 - DIELECTRIC WITHSTANDING: 500V AC MIN.;
 - DURABILITY: 5,000 CYCLES MIN.;
 - CONNECTOR MATING FORCES: 2.94~29.4N(0.30~3.00Kgf);
 - CONNECTOR UNMATING FORCES: 2.94~29.4N(0.30~3.00Kgf);
 - WATERPROOF STRENGTH: IP-X7.

焊中缆线后，两根焊线焊接部分套上热缩管
焊电缆线图

	MATERIAL	PLATING
plastic	Pa66	
bond		
center pin	Brass	tin
terminal 2	Brass	tin
terminal 3	Phosphor Bronze	tin

					ANGLAR	$\pm 5^\circ$	DSND		DATE		SCALE: N/A	MODEL TYPE: DC POWER JACK	
Δ X					X.X	± 0.2 mm	DWN		DATE		VIEW:	PART NO.:	
Δ X					X.XX	± 0.1 mm	CHKD		DATE		UNIT: mm	DWG NO.: DC-F745	
Δ X					X.XXX	± 0.05 mm	APPD		DATE		SIZE: A4		
MARK	DESCRIPTION	DATE	REVISED	APPROVED	UNSPECIFIED TOLERANCES			XKB INDUSTRIAL PRECISION CO.,LIMITED			WEIGHT 1.0g	SHEET 1/1	REVISION A0