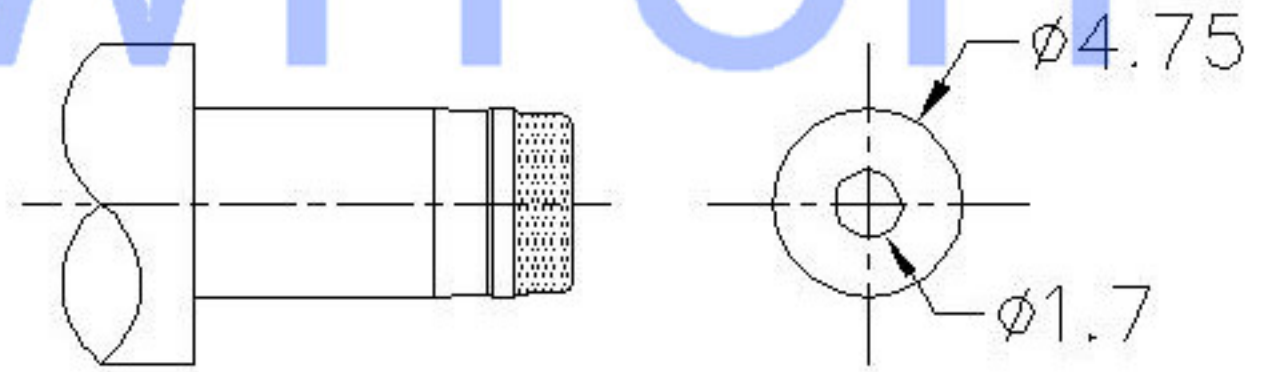


SCHEMATIC	
Model	DC-039-2.5A
Center Pin	$\phi 1.65$ mm

# SWITCH CONNECTOR



MATING PLUG  
Jack Insertion Depth: 8.5 mm

	MATERIAL	PLATING
center pin	Brass	tin
terminal 1	Brass	tin
terminal 2	Phosphor Bronze	tin
terminal 3	Brass	tin
plastic	Pbt	

MARK	DESCRIPTION	DATE	REVISED	APPROVED	UNSPECIFIED TOLERANCES	DSND	DATE	SCALE: N/A	MODEL TYPE: DC POWER JACK
$\Delta$ X					ANGLAR $\pm 5^\circ$	DWN	DATE	VIEW:	PART NO.:
$\Delta$ X					X.X $\pm 0.2$ mm	CHKD	DATE	UNIT: mm	DWG NO.:
$\Delta$ X					X.XX $\pm 0.1$ mm	APPD	DATE	SIZE: A4	DC-039A-2.5A
					X.XXX $\pm 0.05$ mm	XKB INDUSTRIAL PRECISION CO., LIMITED			WEIGHT 1.0g
									SHEET 1/1
									REVISION A0