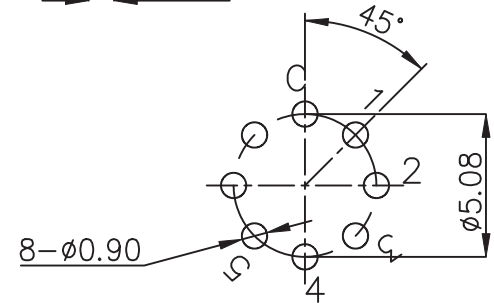
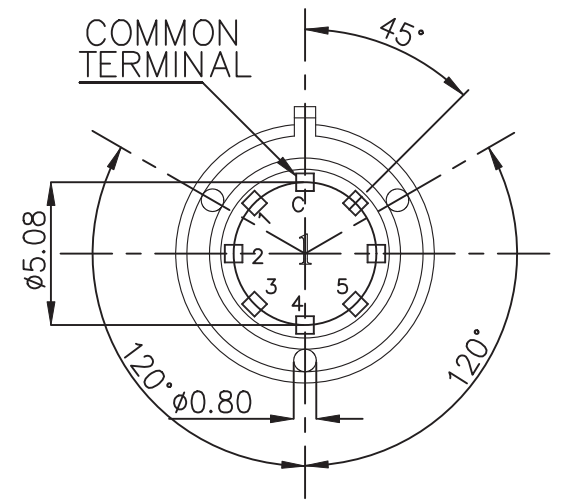
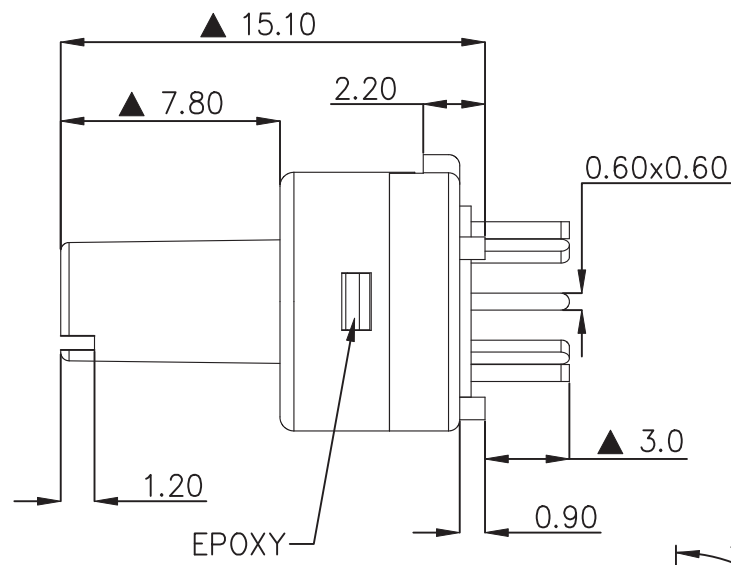
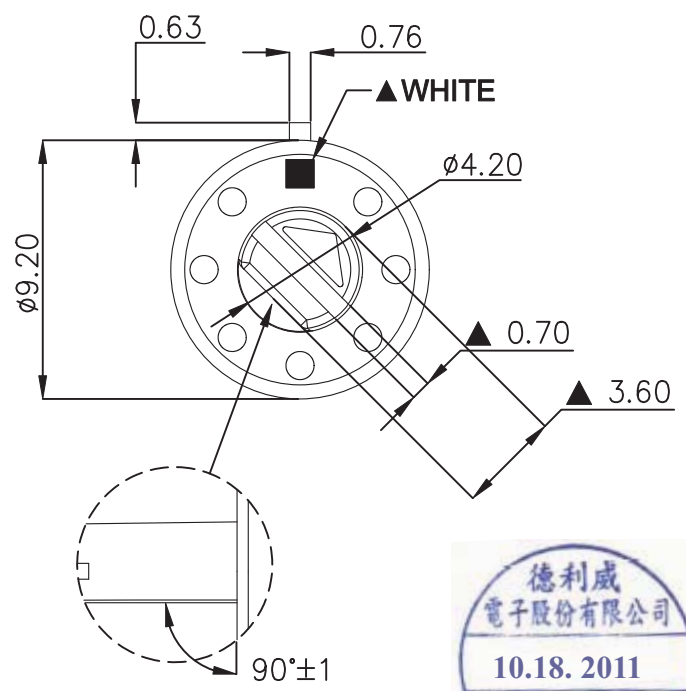


本公司智慧財產，未經同意不得複製
 DAILYWELL copyright, may not be used
 without permission from DAILYWELL



TRAVEL	SWITCH POSITION
45°	C-1
90°	C-2
135°	C-3
180°	C-4
225°	C-5

SPECIFICATIONS

ELECTRICAL RATING: 0.5A 24VDC; 0.2A 48VDC
 CONTACT RESISTANCE: 100 mΩ MAX.
 INSULATION RESISTANCE: 100 MΩ MIN. 500VDC
 DIELECTRIC STRENGTH: 500VAC for 1 minute
 OPERATING FORCE: 350±150g
 OPERATING LIFE: 2,000 cycles
 OPERATING TEMPERATURE RANGE : -20°C ~ 70°C

MATERIAL
 HOUSING: NYLON 6/6
 BASE: LCP
 ACTUATOR: NYLON 6/6
 TERMINAL: Brass gold plating.
 RoHS: 2002/95/EC

P.C.B. LAYOUT

德利威電子股份有限公司
DAILYWELL ELECTRONICS CO.,LTD.

符號	原尺寸	修改後尺寸	變更日期	SCALE (比例): 4:1	TITLE 圖名	ROTARY SWITCH			SIZE 圖紙
1	(A)			TOLERANCE (公差): 0.00 mm ± 0.25mm 0.0 mm ± 0.40mm ANGULAR : ± 5° FILE NAME : RT0032	DWG NO. 圖號	RT-005			SIZE 圖紙 A4
2	(B)				REV. 版本	A	DATE 日期	OCT - 18 - 2011	UNIT 單位 mm
3	(C)				CHECKED BY 審核	RICHARD		DRAWN BY 製圖	SHEET 張數 1 of 1
4	(D)								
5	(E)								