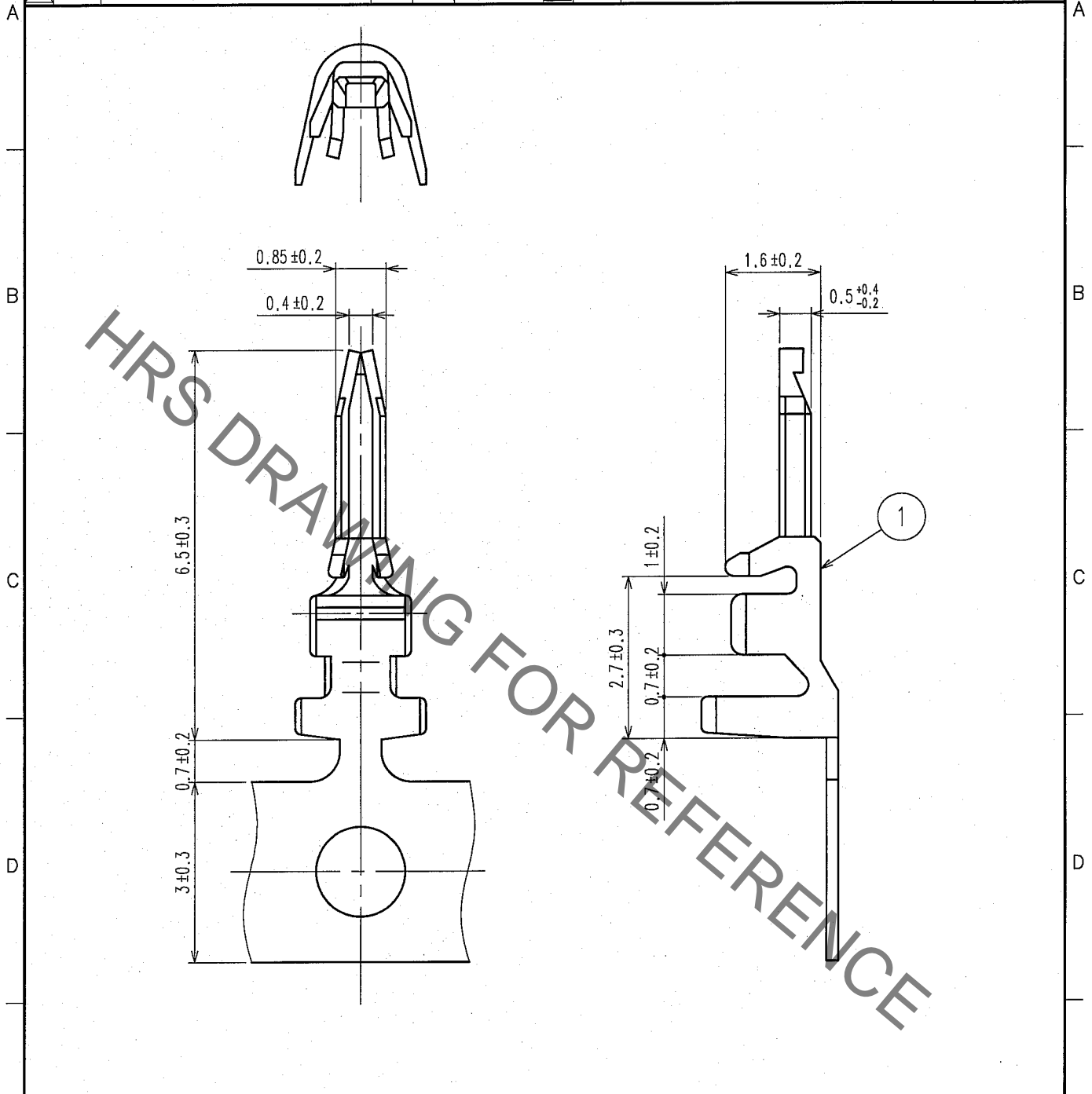


Apr.1.2020 Copyright 2020 HIROSE ELECTRIC CO., LTD. All Rights Reserved.  
 In case of consideration for using Automotive equipment / device which demand high reliability, kindly contact our sales window correspondents.

1		2			3			4		
COUNT	DESCRIPTION OF REVISIONS	BY	CHKD	DATE	COUNT	DESCRIPTION OF REVISIONS	BY	CHKD	DATE	
△ 1	DIS-H-002097	T.K	H.V	07.06.04	△				..	
△					△				..	
△					△				..	



NOTES 1 :10000 PIECES PER REEL.  
 △ NOTES 2 :APPLICABLE THROUGH-HOLE DIAMETER  $\phi 0.9 \pm 0.05$

1	BRASS	SURFACE:TIN PLATED 2 $\mu$ m min UNDER PLATING:NICKEL PLATED 0.5 $\mu$ m min
NO.	MATERIAL	FINISH, REMARKS

CODE NO. (OLD)	DRAWN	DESIGNED	CHECKED	APPROVED	RELEASED
	F.Matsuki	H.Umehara	T.Oma	T.Oma	
	'04.04.16	'04.04.16	'04.04.16	'04.04.16	

TO

 SACLE 10 : 1 UNITS mm	DRAWING NO. EDC4-019441-02	PART NO. DF4-2428PCF(05)
	 HIROSE ELECTRIC CO.,LTD.	CODE NO. CL544-0020-3-05