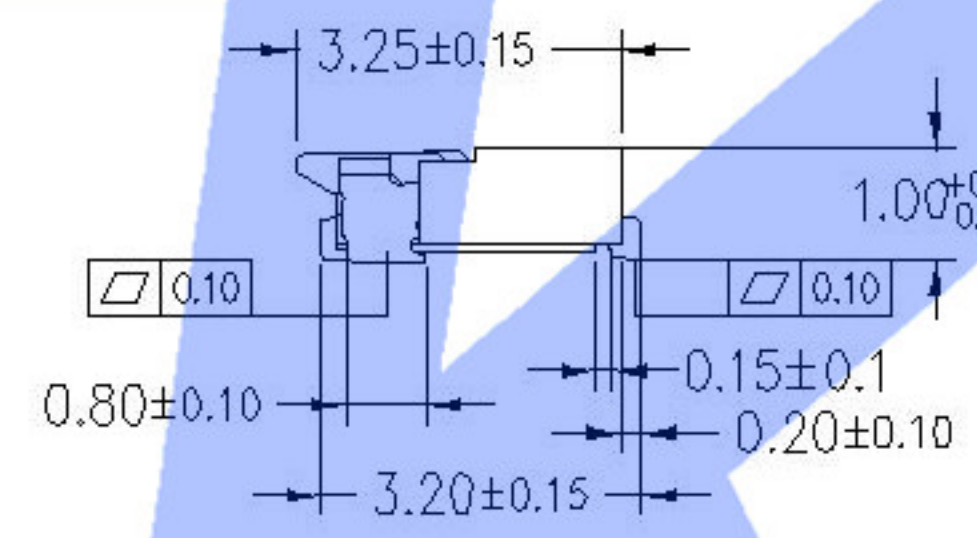
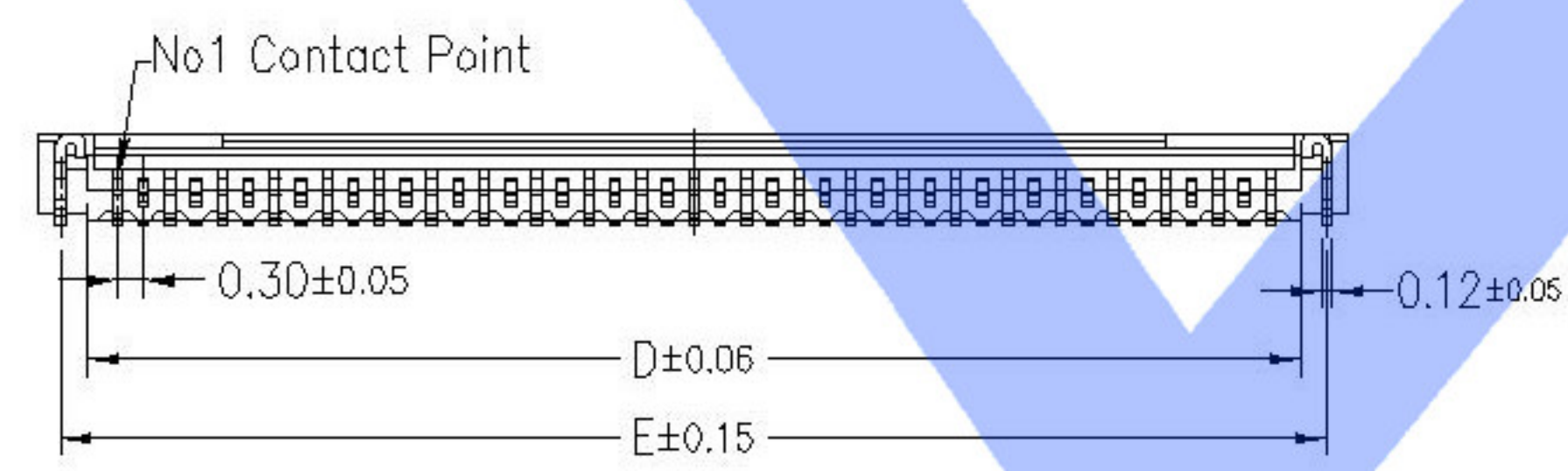


Number of Contacts	Dimension				
	A	B	C	D	E
13	5.40	3.00	3.60	4.25	4.90
15	6.00	3.60	4.20	4.85	5.50
17	6.60	4.20	4.80	5.45	6.10
19	7.20	4.80	5.40	6.05	6.70
21	7.80	5.40	6.00	6.65	7.30
23	8.40	6.00	6.60	7.25	7.90
25	9.00	6.60	7.20	7.85	8.50
27	9.60	7.20	7.80	8.45	9.10
29	10.20	7.80	8.40	9.05	9.70
31	10.80	8.40	9.00	9.65	10.30
33	11.40	9.00	9.60	10.25	10.90
35	12.00	9.60	10.20	10.85	11.50
37	12.60	10.20	10.80	11.45	12.10
39	13.20	10.80	11.40	12.05	12.70
41	13.80	11.40	12.00	12.65	13.30
45	15.00	12.60	13.20	13.85	14.50
49	16.20	13.80	14.40	15.05	15.70
51	16.80	14.40	15.00	15.65	16.30
57	18.60	16.20	16.80	17.45	18.10
61	19.80	17.40	18.00	18.65	19.30
67	21.60	19.20	19.80	20.45	21.10
71	22.80	20.40	21.00	21.65	22.30
73	23.40	21.00	21.60	22.25	22.90



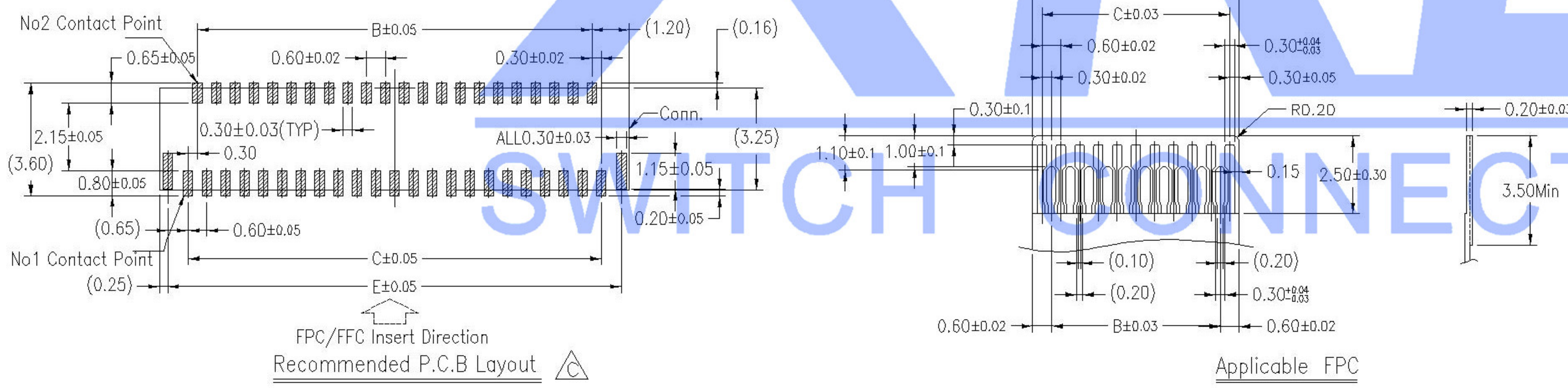
NOTES:

MATERIAL:
 THIS PART DON'T CONTAIN ANY SUBSTANCES WHICH ARE SPECIFIED IN SS-00259
 HOUSING: GLASS FILLED THERMO-PLASTIC, UL 94V-0 BLACK
 ACTUATOR: GLASS FILLED THERMO-PLASTIC, UL 94V-0 NATURAL
 CONTACTS: PHOSPHOR BRONZE C5210R-SH THICKNESS=0.12MM
 LATCH: PHOSPHOR BRONZE C5191R-H THICKNESS=0.12MM

1. FPC NOT MATING CONDITION BANNED CLOSURE
 2. PART NO. LEGEND:
X03A10 L XX X
 ① ② ③ ④

① Series Name : X03A10=0.3 mm Pitch(H=1.0mm)
 ② Assembly style : L:Low Contact SMT Type U:Upper Contact SMT Type
 D:Double-Face Contact SMT Type H:Back-flip Double-Face Contact SMT Type
 ③ Number of terminals :XX=13-73PIN
 ④ Plating : G:Gold Flash Over Nickel T:Tin Over Nickel

3. PERFORMANCE:
 3.1: CURRENT RATING: 0.2A/PIN.
 3.2: VOLTAGE RATING: 30V (AC/DC).
 3.3: CONTACT RESISTANCE: INITIAL VALUE 30mOHM Max,
 3.4: INSULATION RESISTANCE: 500MOHM Min.
 3.5: DIELECTRIC WITHSTANDING VOLTAGE: 250V AC FOR 1MINUTE:



FPC/FFC Insert Direction
 Recommended P.C.B Layout

Applicable FPC

DSND		DATE		SCALE: N/A	MODEL TYPE: FPC CONNECTOR
△ X		DATE		VIEW:	PART NO.:
△ X		DATE		UNIT: mm	DWG NO.:
△ X		DATE		SIZE: A4	X03A10LXXX
MARK	DESCRIPTION	DATE	REVISED	APPROVED	WEIGHT 1.0g
	REVISIONS			UNSPECIFIED TOLERANCES	SHEET 1/1
	www.xk-dg.cn www.helloxkb.com www.helloxkb.cn				REVISION A0

XKB INDUSTRIAL PRECISION CO.,LIMITED