

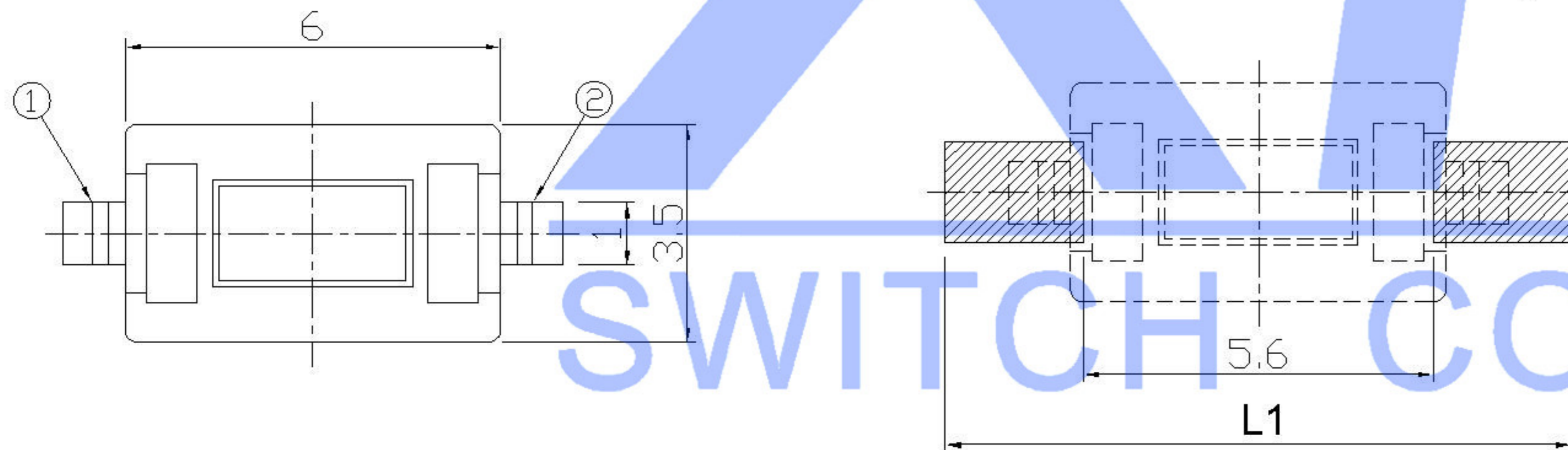
CIRCUIT DIAGRAM

P	L	L1
A	8.0	10

**SPECIFICATION**

Contact Rating: 50mA, 12V DC  
 Contact Resistance: 100mΩ max  
 Insulation Resistance: 100mΩ min. 500V DC  
 Dielectric Strength: 250V AC/1minute  
 Travel: 0.25mm  
 Operating Temp: -20°C ~ +70°C  
 Storage Temp: -30°C ~ +80°C

**P.C.B MOUNTING PATTERN DIMENSION**  
 The following soldering patterns are recommended for reflow soldering



PAPT NO	TS-1101S-X-X-B-X-X
Operating Force	A: 100gf B: 160gf C: 260gf
Height	H: A: 4.3 B: 5.0 C: 6.0 D: 7.0
Fixed column	A: With B: without
color	B: black W: white
Pin pitch	P

SWITCH CONNECTOR

⑤	Terminal	—	2	Brass (0.30t)	Plating silvering	—
④	Contact	—	1	F.ag/Sus	Natural	—
③	Base	—	1	Lcp		—
②	Cover	—	1	Spcc	Plating Nickel	—
①	Keystake	—	1	Pa46		—
ITEM	PAPT NAMF	TER,NO	QTY	MATERIAL	FINISHING	REMARK

					units: mm	DSND		DATE		SCALE: N/A	MODEL TYPE: TACT SWITCH		
ΔX					tolerance: X.X ±0.2mm	DWN		DATE		VIEW:	PART NO.:		
ΔX					X.XX ±0.1mm	CHKD		DATE		UNIT: mm	DWG NO.:		
ΔX					X.XXX ±0.05mm	APPD		DATE		SIZE: A4	TS-1101S-X-X-B-X-X		
MARK	DESCRIPTION	DATE	REVISED	APPROVED	UNSPECIFIED TOLERANCES	XKB INDUSTRIAL PRECISION CO., LIMITED					WEIGHT	SHEET	REVISION
REVISIONS					www.xk-dg.cn www.helloxkb.com www.helloxkb.cn						1.0g	1/1	A0