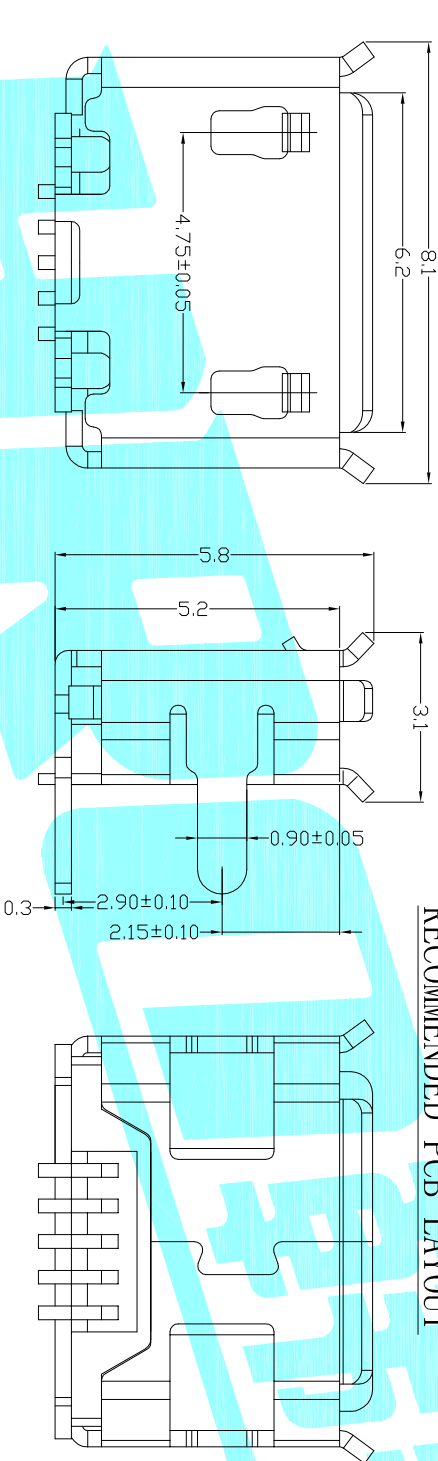
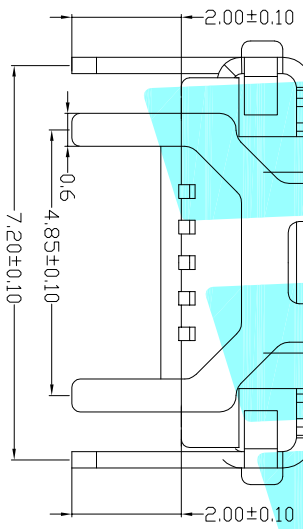


RECOMMENDED PCB LAYOUT



- 备注:
1. 产品规格:
 - 1-1. 插入力: 35N MAX.
 - 1-2. 拔出力: 10N MIN. INITIAL 8-20N AFTER 3000 CYCLES
 - 1-3. 额定电流: 1.0A
 - 1-4. 额定电压: 30V
 - 1-5. 耐久性: 3000 CYCLES MIN.
 - 1-6. 耐电压: 100V AC MIN.
 - 1-7. 接触阻抗: 30mΩ MAX. INITIAL; 40mΩ MAX AFTER 3000 CYCLES
 - 1-8. 绝缘电阻: 100MΩ MIN
 - 1-9. 工作温度: -30° TO +80°
2. 材质:
- 2.1 胶芯: LCP UL94V-0
 - 2.2 端子: C2680R-H, 镍底, 镀金 **GOLD**
 - 2.3 外壳: SUS
3. 所用材质须符合RoHS要求
4. 重点尺寸标识“▲”符号



ITEM	PART NAME	TER'NO.	QTY.	MATERIAL	FINISHING	REMARK
③	Shell	—	1	Phosphor Bronze	Sn Plated	—
②	Contact	—	5	Phosphor Bronze	Au Plated	—
①	Housing	—	1	LCP	Black	—

APPROVALS		DATE
DRAWN	JKUN.LU	2018/3/19

APPROVALS		TITLE:
CHECKED		USB CONNECTOR

APPROVALS		PART NO.	SCALE:
APPROVALS		U-F-M5DD-Y-3	1:1

HRP
ELECTRONICS CO.,LTD

ECN NO.	REV.	DATE.	DESCRIPTION.	CHANGE.	CHECK.	APPRO.
	A		NEW			

TOLERANCES ARE	30~0.1	±0.30	ANGLE	UNIT:	SCALE:	PROJ:
	10~30	±0.25	±2°	mm	1:1	U-F-M5DD-Y-3
	5~10	±0.20				
	~5	±0.15				

DRAWING NO.	SHEET
	1 OF 1