

RoHS

Parts Drawing

REVISIONS

SYM	ECN No.	MODIFICATION	DATE	ISSUED

Note:

1.Material:

- 1.1,Housing: BLUE G/F,UL94v-0
- 1.2,Contact: copper alloy,t=0.25mm
- 1.3,Shell: copper/Ferroalloy alloy,t=0.30mm

2.Specification:

- 2.1,Current rating:5.0A Max.
- 2.2,Dielectric withstanding
voltage: 100 V(ac) for 1 min.
- 2.3,Contact resistance: 30 mΩ Max.
- 2.4,Insulation resistance: 100 MΩ Min.
- 2.5,Total mating force: 3.57 Kgf Max.
- 2.6,Total unmating force: 1.0 Kgf Min.

3.Finish:

- 3.1,Contact: Plated Golt in Mating Area:
Tin On Solder Talls
- Shell: Nickel Plating

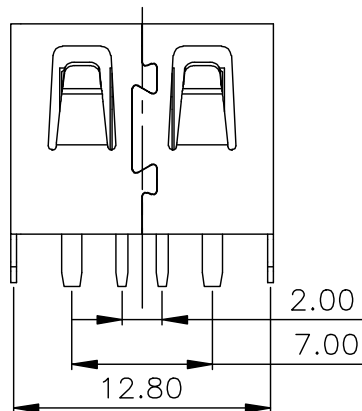
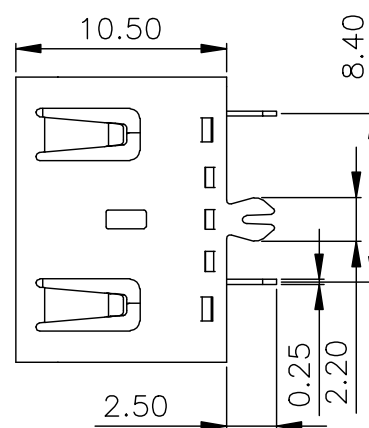
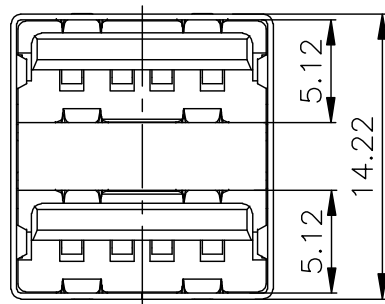
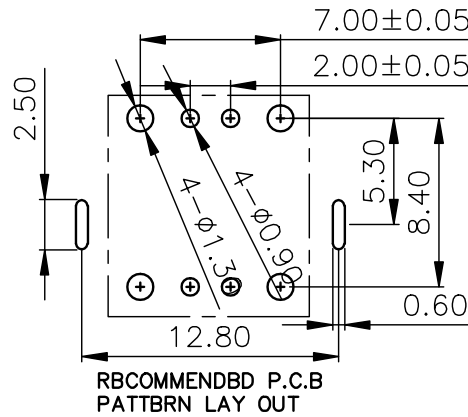
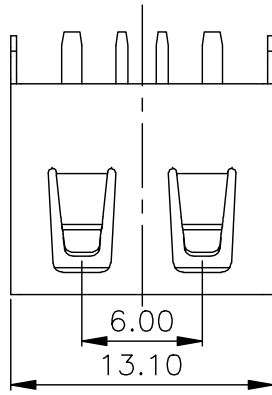
4.Environmental:

- 4.1,Temperature range: -55°C~85°C

PART ON:

907-222AXXX1Y1XX

- 电镀规格: 02, 镀金1u" 04, 镀金3u" 07, 镀金15u" 08, 镀金30u"
- 端子材质: 1, 青铜 2, 磷铜
- 端子规格: D, 90度 Y, 180度 S, SMT贴板
- 塑胶型号: 1, 双层壳体 2, 双层半包
- 塑胶颜色: 01, 白色 02, 黑色 03, 本色
- 塑胶材质: 1, PBT 2, LCP 3, PA6T 4, PPA 5, PA6T
- 对接方向: A, 正向 B, 反向
- 外壳材质: 1, 铁壳 2, 铜壳
- 接口类型: 1, 有边平焊 2, 无边平焊
- 外壳脚型: 1, 弯脚 2, 直脚 3, 无脚 4, 鱼叉脚
- 类别: 双层系列



DRAWN	JU 深圳市精拓金电子有限公司	
CHECKED	TITLE USB AF 10.5短体双层直脚无边	PART NO. SEE PART ON
APPROVED		DRAWING NO. R907222A1021Y102
	UNIT mm	TOLERANCE .XXX±10, .XX±25, .X±38, ANG±15°
	SCALE 1:1	SHEET 1 OF 1
	SIZE A4	REV. X1