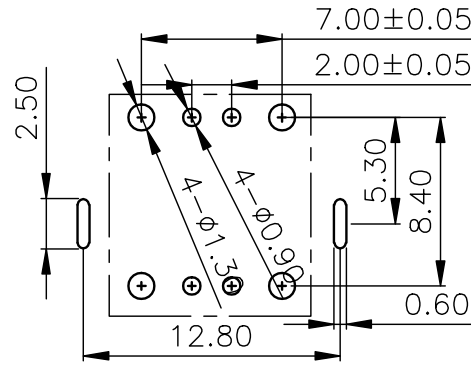
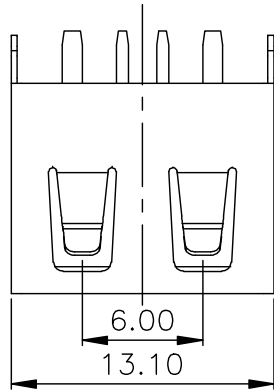


RoHS

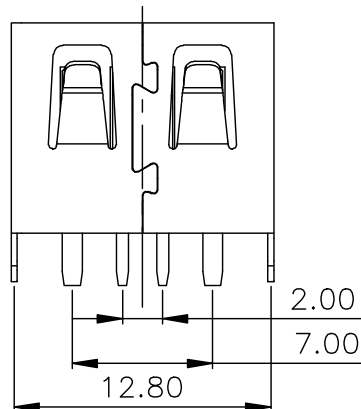
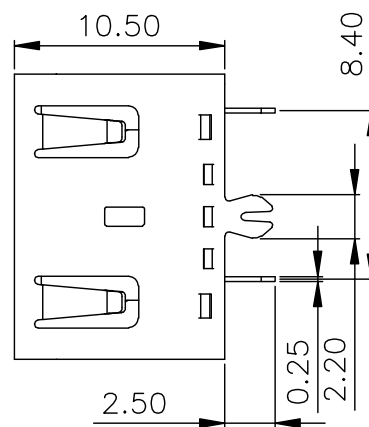
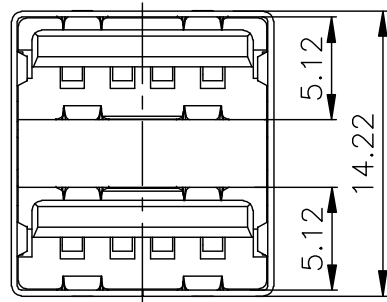
Parts Drawing

REVISIONS

SYM	ECN No.	MODIFICATION	DATE	ISSUED



RBCOMMDD P.C.B
PATTBRN LAY OUT



Note:

1.Material:

- 1.1,Housing: ORANGE G/F,UL94v-0
- 1.2,Contact: copper alloy,t=0.25mm
- 1.3,Shell: copper/Ferroalloy alloy,t=0.30mm

2.Specification:

- 2.1,Current rating:5.0A Max.
- 2.2,Dielectric withstanding
voltage: 100 V(ac) for 1 min.
- 2.3,Contact resistance: 30 mΩ Max.
- 2.4,Insulation resistance: 100 MΩ Min.
- 2.5,Total mating force: 3.57 Kgf Max.
- 2.6,Total unmating force: 1.0 Kgf Min.

3.Finish:

- 3.1,Contact: Plated Golg in Mating Area:
Tin On Solder Talls
Shell: Nickel Plating

4.Environmental:

- 4.1,Temperature range: -55°C~85°C

PART ON:

907-222AXXX1Y1XX

- 电镀规格: 02, 镀金1u" 04, 镀金3u" 07, 镀金15u" 08, 镀金30u"
- 端子材质: 1, 青铜 2, 铜
- 端子规格: D, 90度 Y, 180度 S, SMT贴片
- 塑胶形态: 1, 双层壳体 2, 双层半包
- 塑胶颜色: 01, 白色 02, 黑色 03, 本色
- 塑胶材质: 1, PBT 2, LCP 3, PA6T 4, PPA 5, PA6T
- 对接方向: A, 正向 B, 反向
- 外壳材质: 1, 铁壳 2, 铜壳
- 接口类型: 1, 有边平焊 2, 无边平焊
- 外壳脚型: 1, 弯脚 2, 直脚 3, 无脚 4, 鱼叉脚
- 类别: 双层系列

DRAWN		深圳市精拓金电子有限公司				
CHECKED	TITLE			PART NO.		
APPROVED	无边	SEE PART ON	DRAWING NO.			
		TOLERANCE	SCALE	SHEET	SIZE	REV.
		.XXX±10, XX±25, X±38, ANG±5°	1:1	1 OF 1	A4	X1