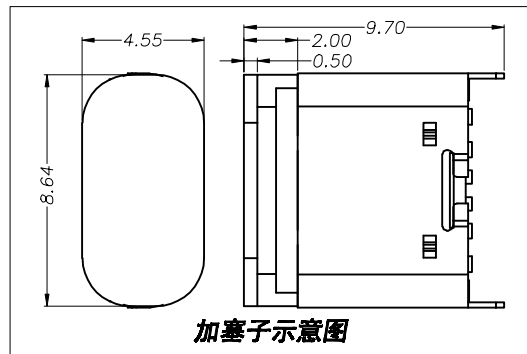
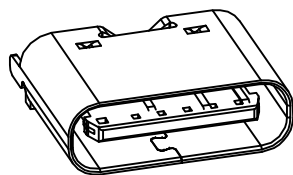
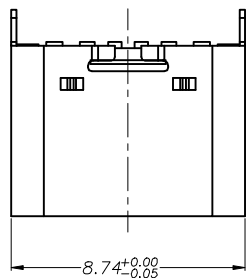


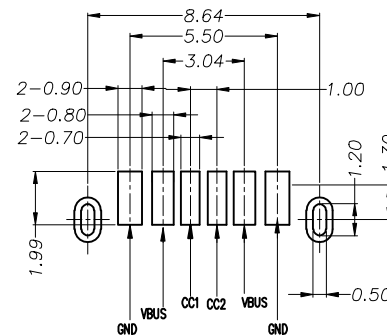
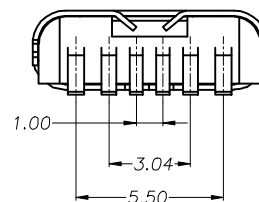
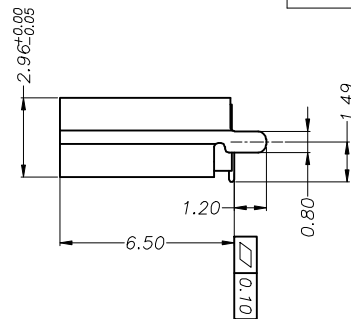
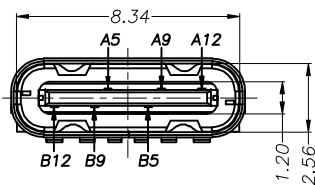
MAPX	MODIFICATION	DATE



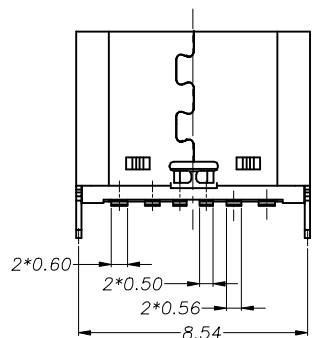
NOTES:

SPECIFICATION:

1. CURRENT RATING: 3.0A MAX
2. DIELECTRIC WITHSTANDING VOLTAGE: 100 VAC
3. TEMPERATURE RANGE: -30 °C ~ 85 °C
4. CONTACT RESISTANCE: 40 MILLIONHM MAX
5. INSULATION RESISTANCE: 100 MEGOHMS MIN.
6. INSERTION FORCE : 5N~20N
7. UNMATING FORCE: 8N~20N
8. DURABILITY: 10000 CYCLES



RECOMMENDED P.C.B. LAYOUT  
TOLERANCE UNSPECIFIED ±0.05mm



A5	CC1	B12	GND
A9	VBUS	B9	VBUS
A12	GND	B5	CC2
PIN	SIGNAL NAME	PIN	SIGNAL NAME

5	COVER	HIGH TEMPERATURE PLASTIC	BLACK	1PCS
4	SHIELDING PLATE	STAINLESS STEEL	NO Plated	1PCS
3	SHELL	STAINLESS STEEL	Ni: 50u" Plated	1PCS
2	CONTACT	COPPER ALLOY	Au1u"/Ni: 50u" Plated	1SET
1	HOUSING	HIGH TEMPERATURE PLASTIC	BLACK	1PCS
NO.	DESCRIPTION	MATERIAL	REMARKS	QTY

产品图

PRODUCT CHART DWG

公差一览表

TOLERANCE UNLESS OTHERWISE			
X.	±0.30	X.	±5.°
.X	±0.25	.X	±2.°
.XX	±0.15	.XX	±1.°
.XXX	±0.10	.XXX	±0.5°

深圳市精拓金电子有限公司

单位 UNITS	MM	制图 DRAWING	YANG	制图料号 PRODUCT PART NO.	
比例 SCALE	1:1	审核 CHKD	郭志富	产品名称 PRODUCT NAME	TYPE C 6P母座180度SMT H=6.5
日期 DATE	2019.11.23	核准 APPD	黄国荣	角法 VIEW	版本 VER
					AD