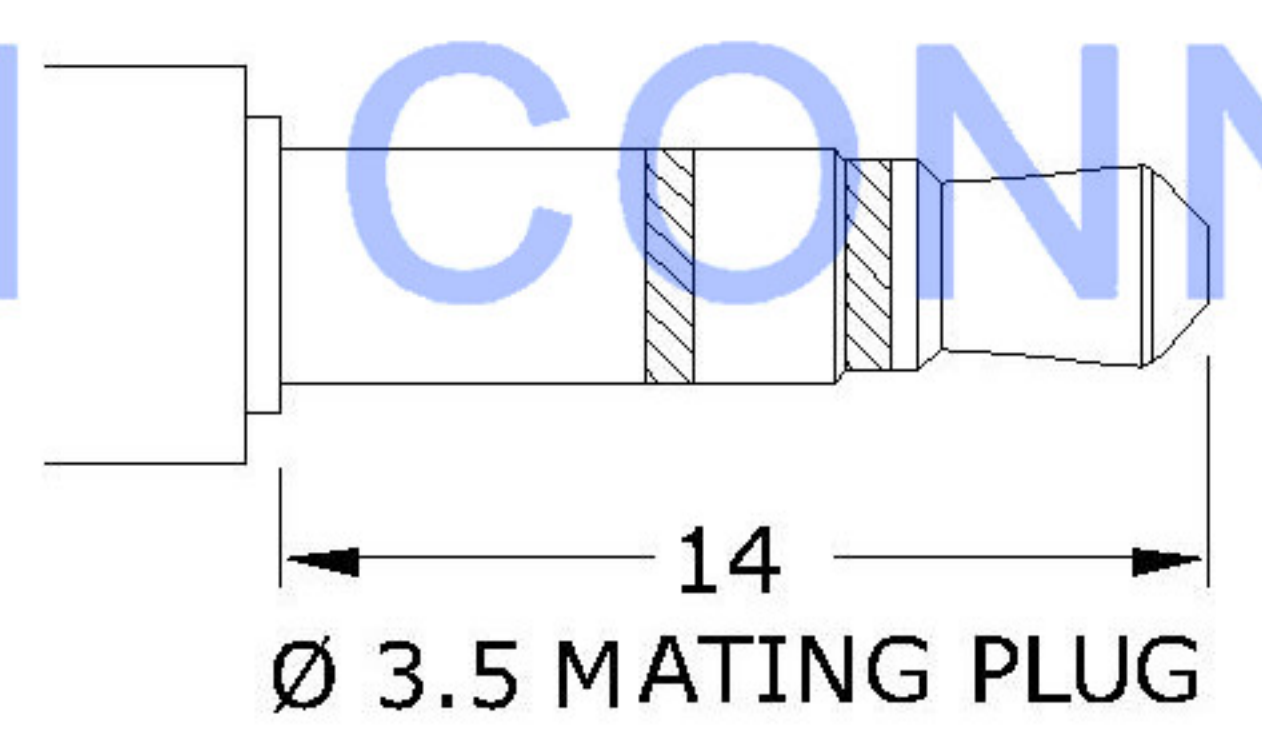


color B: Black R: Red G: Green  
CO: Copper Set



|            | MATERIAL        | PLATING |
|------------|-----------------|---------|
| terminal 1 | Phosphor Bronze | tin     |
| terminal 2 | Phosphor Bronze | tin     |
| terminal 3 | Phosphor Bronze | tin     |
| terminal 4 | Phosphor Bronze | tin     |
| terminal 5 | Phosphor Bronze | tin     |
| plastic    | Pbt             |         |

| MARK  | DESCRIPTION | DATE | REVISED | APPROVED | UNSPECIFIED TOLERANCES |
|---|-------------|------|---------|----------|------------------------|
| Δx  |             |      |         |          | ANGLAR ±5°             |
| Δx  |             |      |         |          | X.X ±0.2mm             |
| Δx  |             |      |         |          | X.XX ±0.1mm            |
|   |             |      |         |          | X.XXX ±0.05mm          |
| REVISIONS                                     |             |      |         |          |                        |
| www.xk-dg.cn www.helloxkb.com www.helloxkb.cn |             |      |         |          |                        |

|                                      |  |      |  |            |                               |
|--------------------------------------|--|------|--|------------|-------------------------------|
| DSND                                 |  | DATE |  | SCALE: N/A | MODEL TYPE:<br>3.5 PHONE JACK |
| DWN                                  |  | DATE |  | VIEW:      | PART NO.:                     |
| CHKD                                 |  | DATE |  | UNIT: mm   | DWG NO.:                      |
| APPD                                 |  | DATE |  | SIZE: A4   | PJ-3062-HD-X                  |
| KXB INDUSTRIAL PRECISION CO.,LIMITED |  |      |  | WEIGHT     | SHEET                         |
|                                      |  |      |  | 1.0g       | 1/1                           |
|                                      |  |      |  |            | REVISION                      |
|                                      |  |      |  |            | A0                            |