

MBR10100

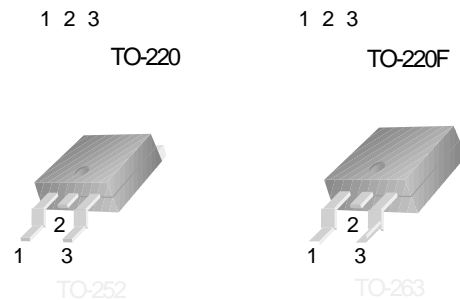
SCHOTTKY BARRIER DIODE

APPLICATIONS

- z High frequency switch power supply
- z Free wheeling diodes, polarity protection applications

FEATURES

- zCommon cathode structure
- zLow power loss, high efficiency
- zHigh Operating Junction Temperature
- zGuard ring for overvoltage protection
- zHigh reliability
- zRoHS product



ORDER INFORMATION

Product	Package	Pin Assignment			Packing
		1	2	3	
MBR10100CT	TO-220	A	K	A	Tube
MBR10100FCT	TO-220F	A	K	A	Tube
MBR10100Y CT	TO-263	A	K	A	Tape Reel
MBR10100DCT	TO-252	A	K	A	Tape Reel

ABSOLUTE RATINGS (T_c=25 °C)

Parameter		Symbol	Value	Unit
Repetitive peak reverse voltage		V _{RRM}	100	V
Maximum DC blocking voltage		V _{DC}	100	V
Average forward current	T _C =150 (TO-220/263/ TO-252)	I _{F(AV)}	10	A
	T _C =125 (TO-220F)		5	
Surge non repetitive forward current 8.3 ms single half-sine-wave (JEDEC Method)		I _{FSM}	152	A
Maximum junction temperature		T _j	150	
Storage temperature range		T _{STG}	-40~+150	

ELECTRICAL CHARACTERISTICS

Parameter	Tests conditions		Value(min)	Value(typ)	Value(max)	Unit
I_R	$T_j = 25$	$V_R = V_{RRM}$			5	μA
V_F	$T_j = 25$	$I_F = 5A$		0.80	0.85	V

THERMAL CHARACTERISTICS

Parameter		Symbol	Value(min)	Value(max)	Unit
Thermal resistance from junction to case	TO-220	$R_{th(j-c)}$		2.0	W
	TO-263			2.0	
	TO-252			3.0	
	TO-220F			4.0	

ELECTRICAL CHARACTERISTICS (curves)

