

- Specifications :**
- Voltage rating: 400V AC / DC
 - Current rating: 1A AC / DC
 - Withstanding voltage: 1800V AC/minute
 - Temperature range: -25°C~+85 °C
 - Insulation resistance: ≥1000MΩ
 - Contact resistance: ≤30mΩ

X4002W M -02-LPSW

- ① ② ③ ④ ⑤ ⑥

- ① Series No
- ② Category: W-WAFER
- ③ Welding Board Angle: M-Male
- ④ Row No.-Pin No.: XX-Single Row
- ⑤ Material: LP -LCP 94V-0
- ⑥ Plating Category: SW-Fog Tin plating

X4002WM-02-LPSW	LCP UL 94V-0	Phosphor Bronze	Tin-Plated	Brass	Tin-Plated
PART NO	Material	Material(Pin)	Finish(Pin)	Material (Solder Tab)	Finish (Solder Tab)

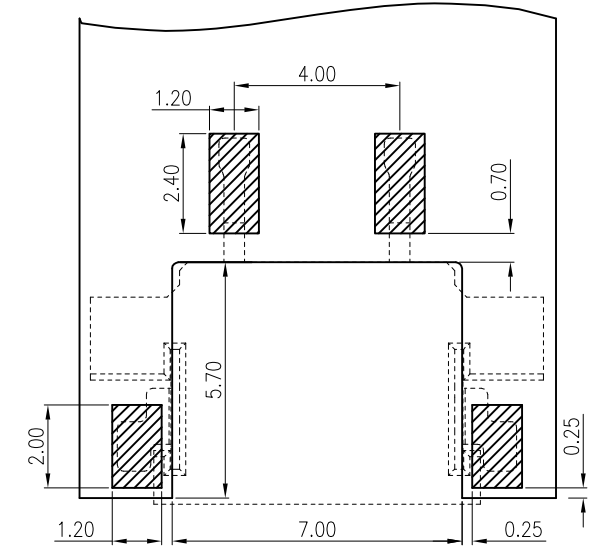
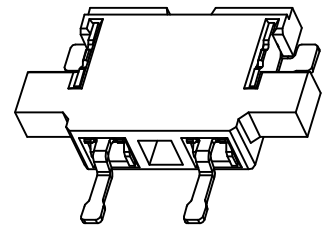
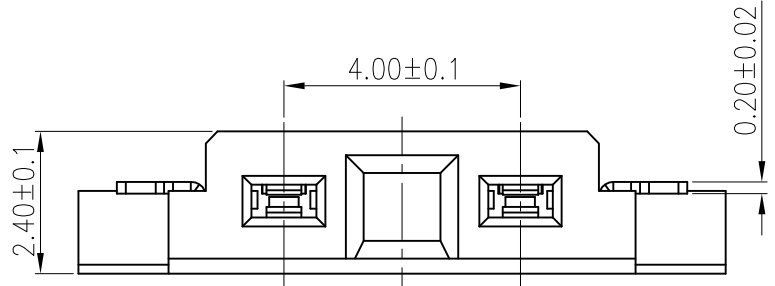
For and on behalf of
XKB INDUSTRIAL PRECISION CO., LIMITED
 香港星坤工業精密有限公司

△ X					ANGULAR	±5°
△ X					L ≤ 4	±0.2
△ X					4 < L ≤ 16	±0.3
MARK	DESCRIPTION	DATE	REVISED	APPROVED	16 < L ≤ 63	±0.4
					L > 63	±0.5
					UNSPECIFIED TOLERANCES	

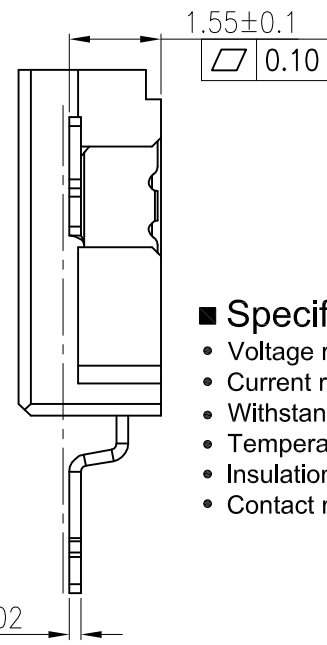
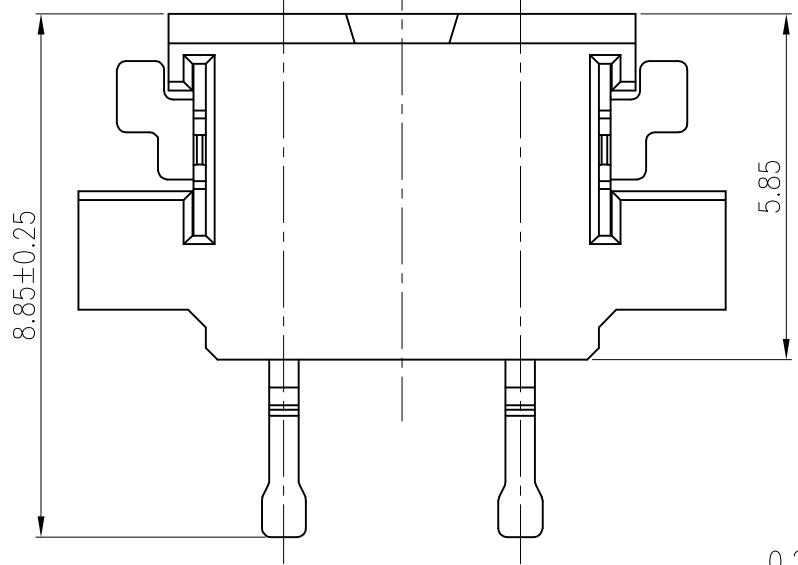
DSND		DATE		SCALE: N/A	MODEL TYPE: X4002WM-02-LPSW
DWN		DATE		VIEW:	PART NO.: 4.00mm BTB Style Connectors
CHKD		DATE		UNIT: mm	DWG NO.: X4002WM-02-LPSW
APPD		DATE		SIZE: A4	
					WEIGHT 1.0g
					SHEET 1/1
					REVISION A0

REVISIONS
 Authorized Signature(s)

XKB INDUSTRIAL PRECISION CO., LIMITED



P.C.B Layout



Specifications :

- Voltage rating: 400V AC / DC
- Current rating: 1A AC / DC
- Withstanding voltage: 1800V AC/minute
- Temperature range: -25°C~+85 °C
- Insulation resistance: ≥1000MΩ
- Contact resistance: ≤30mΩ

X4002W F -02 -LP SW

- ① Series No
 ② Category: W-WAFER
 ③ Welding Board Angle: F-Female
 ④ Row No.-Pin No.: XX-Single Row
 ⑤ Material: LP -LCP 94V-0
 ⑥ Plating Category: SW-Fog Tin plating

X4002WF-02-LPSW	LCP UL 94V-0	Phosphor Bronze	Tin-Plated	Brass	Tin-Plated
PART NO	Material	Material(Pin)	Finish(Pin)	Material (Solder Tab)	Finish (Solder Tab)

For and on behalf of
XKB INDUSTRIAL PRECISION CO., LIMITED
香港星坤工業精密有限公司

△ X					ANGULAR	±5°	
△ X					L ≤ 4	±0.2	
△ X					4 < L ≤ 16	±0.3	
△ X					16 < L ≤ 63	±0.4	
MARK					L > 63	±0.5	
	DESCRIPTION	DATE	REVISED	APPROVED	UNSPECIFIED TOLERANCES		
	REVISIONS					Authorized Signature(s)	

DSND		DATE		SCALE: N/A	MODEL TYPE: X4002WF-02-LPSW		
DWN		DATE		VIEW:	PART NO.: 4.00mm BTB Style Connectors		
CHKD		DATE		UNIT: mm	DWG NO..		
APPD		DATE		SIZE: A4	X4002WF-02-LPSW		
					WEIGHT	SHEET	REVISION
					1.0g	1/1	A0

XKB INDUSTRIAL PRECISION CO., LIMITED