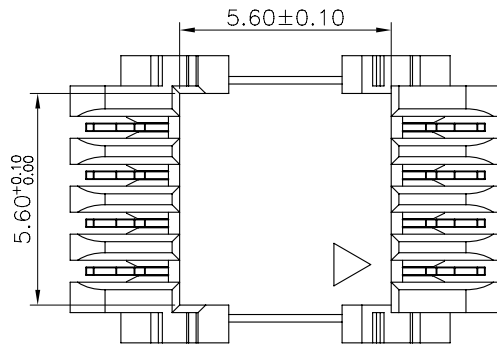
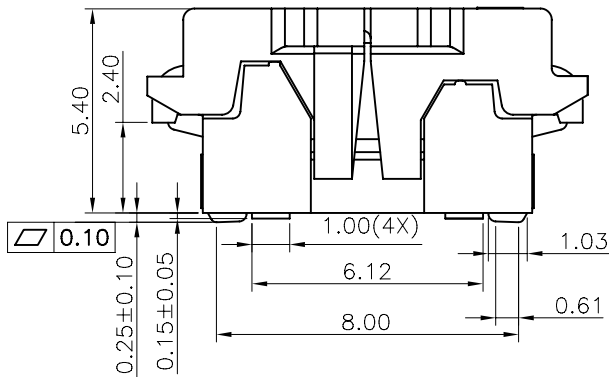
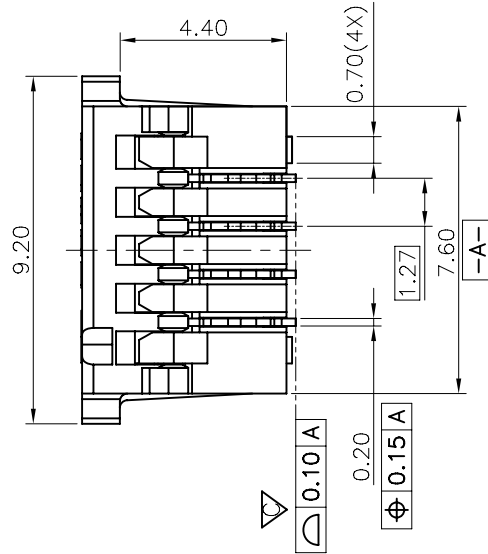
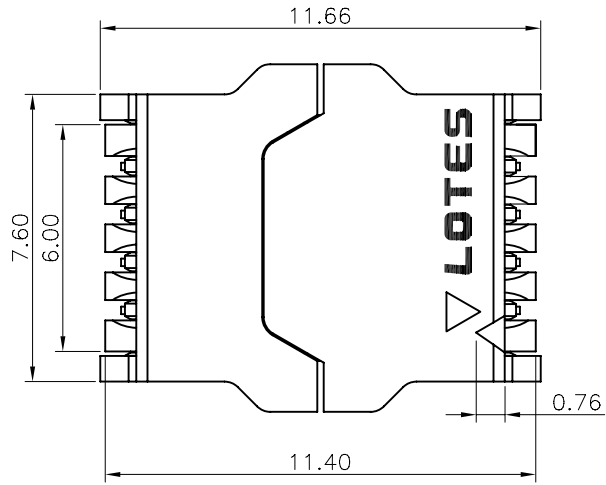


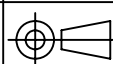
REV.	ECR/N NO./DESCRIPTION	DATE	DRAWN	CHECKED	APPROVE
20	SN15064	07/15'15	Victor	Vito	Barney
21	SN19053	05/15'19	Rover	Vito	Frank
21A	SN20***	02/27'20	Rover	Vito	Herch

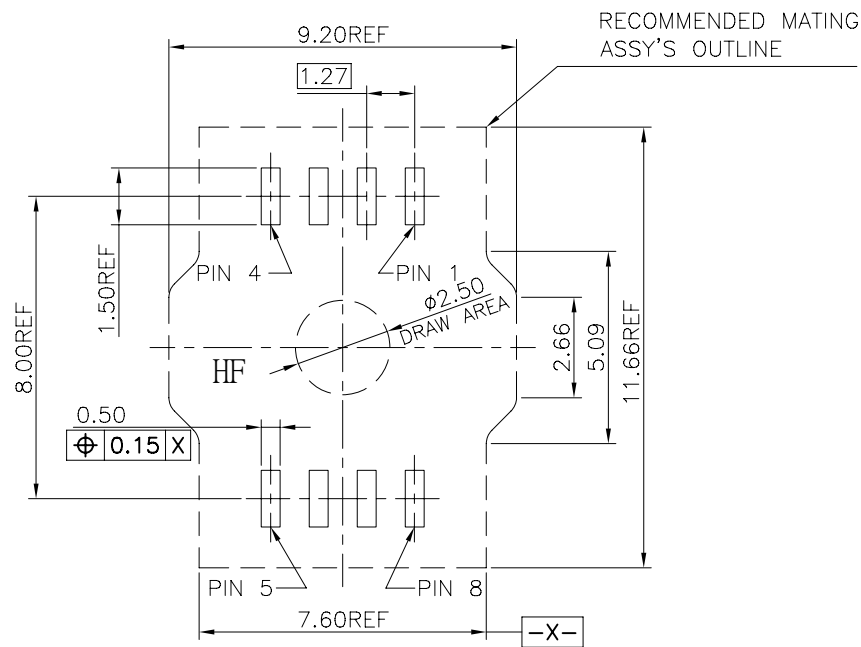


THE TOP VIEW WITHOUT COVERS

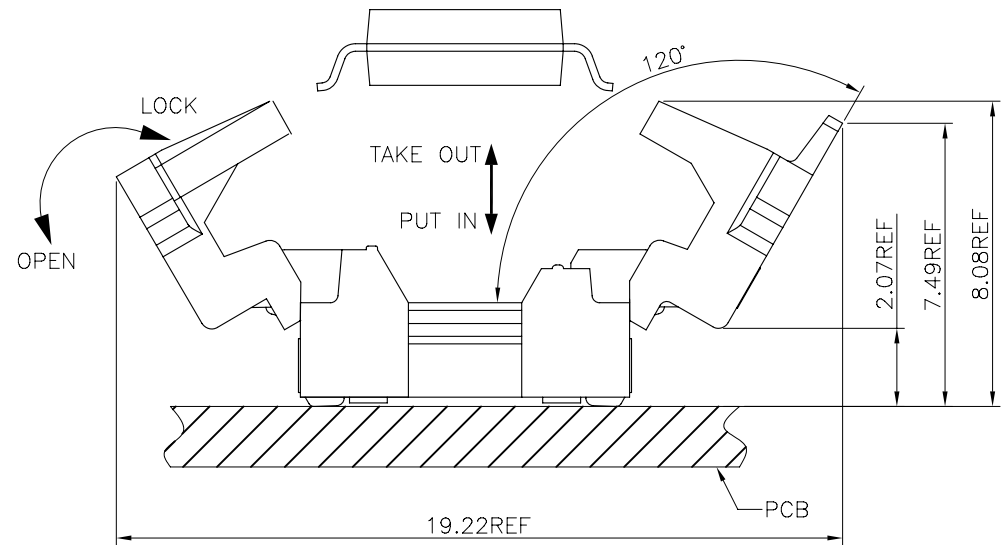
TABLE

6	ACA-SPI-004-K01_A	Ni 50u" min, Nickel under plating on solder area and contact area ; G/F1 u" min on contact area and solder area.
5	ACA-SPI-004-K01	Ni 50u" min, Nickel under plating on solder area and contact area ; G/F1 u" min on contact area and solder area.
4	ACA-SPI-004-K02	Ni 50u" min, Nickel under plating on solder area and contact area ; Au 15 u" min on contact area and solder area.
3	ACA-SPI-004-K03	Ni 50u" min, Nickel under plating on solder area and contact area ; Matte Sn80-120u" on contact area and solder area.
2	ACA-SPI-004-K04	Ni 50u" min, Nickel under plating on solder area and contact area ; Au 15 u" min on contact area and solder area.
1	ACA-SPI-004-K05	Ni 50u" min, Nickel under plating on solder area and contact area ; Au 30 u" min on contact area and solder area.

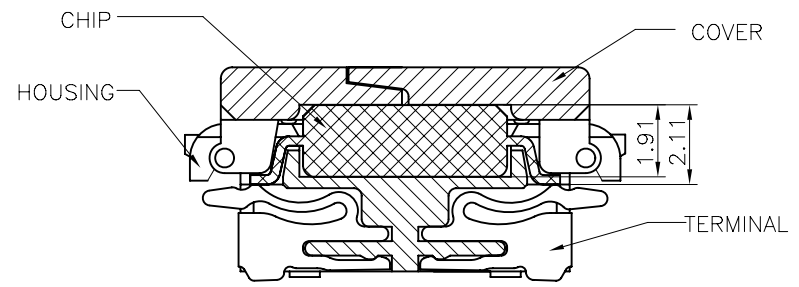
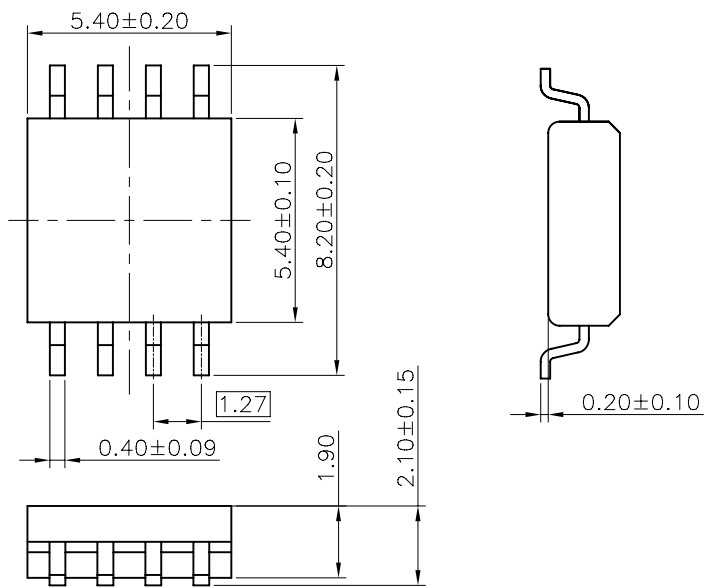
NO.	PART NO.	DESCRIPTION
GENERAL TOLERANCES UNLESS SPECIFIED		<div style="text-align: center;">LOTES</div>
X ± 0.35	X.° ± 3°	
.XX ± 0.25	.X.° ± 2°	
.XXX ± 0.15	.XX.° ± 1°	
PART NO. SEE TABLE		TITLE SPI FLASH SOCKET FOR SOIC 8PIN
APPROVED BY RON		
CUSTOMER DRAWING		DWG NO. AP-ACA-SPI-004-K
SIZE A4	UNITS MM [INCH]	DRAWN BY SUN 
		SHEET 1 / 5 SCALE 5 : 1 REV 21A



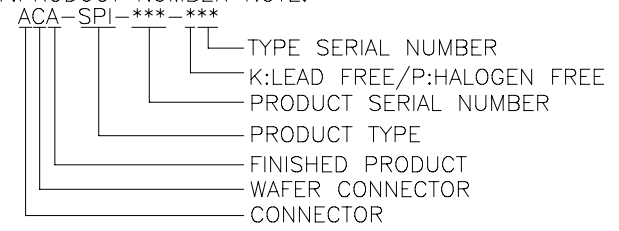
RECOMMENDED PCB LAYOUT FOR USE
 CONNECTOR MOUNTING SIDE
 GENERAL TOLERANCES: ±0.05



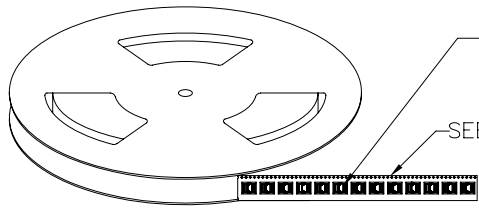
GENERAL TOLERANCES UNLESS SPECIFIED		PART NO. SEE TABLE	LOTES			
X ± 0.35	X.° ± 3°					
XX ± 0.25	.X.° ± 2°	APPROVED BY RON	TITLE SPI FLASH SOCKET FOR SOIC 8PIN			
.XXX ± 0.15	.XX.° ± 1°	CHECKED BY KAKA	DWG NO. AP-ACA-SPI-004-K			
CUSTOMER DRAWING		DRAWN BY SUN		SHEET 2 / 5	SCALE 5 : 1	REV 21A
SIZE A4	UNITS MM [INCH]					



- NOTES: 1.MATERIAL:
 1).HOUSING:LCP,UL-94V0,BLACK.
 2).COVER:LCP,UL-94V0,BLACK.
 3).CONTACT:Phosphor Bronze.
 2.FINISH:SEE TABLE
 3.RoHS COMPLIANT. HF COMPLIANT.
 4.ELECTRICAL PERFORMANCE
 Contact resistance:30mΩ MAX.
 Insulation resistance:1000MΩ MIN
 5.MECHANICAL PERFORMANCE
 Durability:25 cycles
 6.IR REFLOW TEMPERATURE:260°C±5°C FOR 10 SECONDS MAX.
 7.PRODUCT NUMBER NOTE:



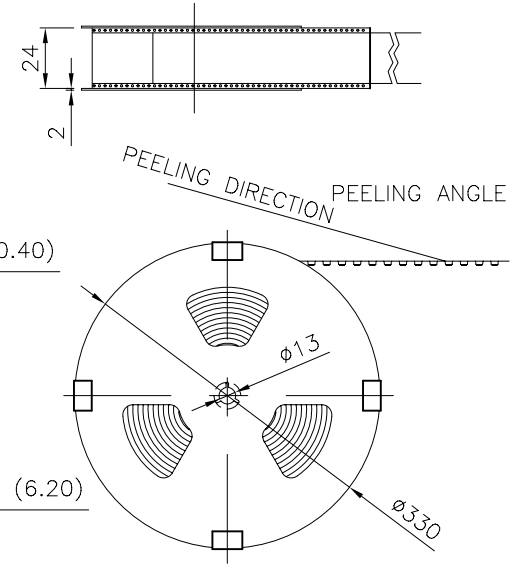
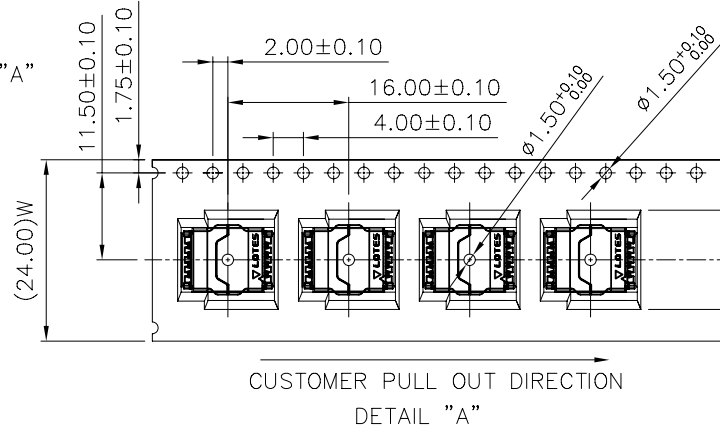
GENERAL TOLERANCES UNLESS SPECIFIED		PART NO. SEE TABLE	LOTES			
X ± 0.35	X.° ± 3°					
XX ± 0.25	.X° ± 2°	APPROVED BY RON	TITLE SPI FLASH SOCKET FOR SOIC 8PIN			
.XXX ± 0.15	.XX° ± 1°	CHECKED BY KAKA	DWG NO. AP-ACA-SPI-004-K			
CUSTOMER DRAWING		DRAWN BY SUN		SHEET	SCALE	REV
SIZE A4	UNITS MM [INCH]			3 / 5	5 : 1	21A



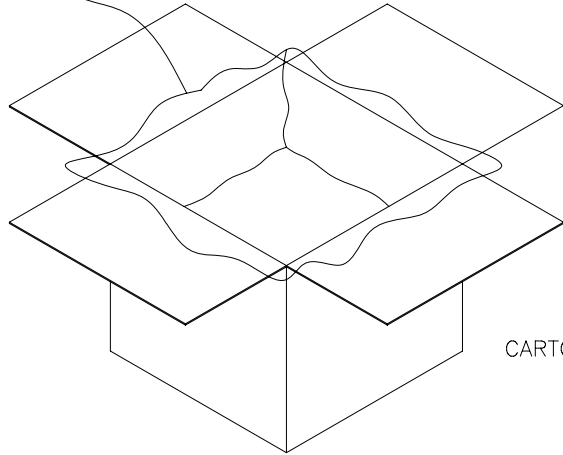
PRODUCT

SEE DETAIL "A"

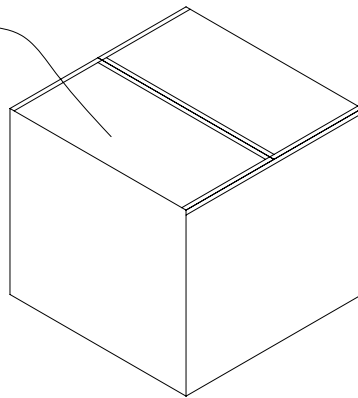
THE HEAD EMPTY 10 PCS
AND THE TAIL EMPTY 15 PCS



PE BAG



CARTON



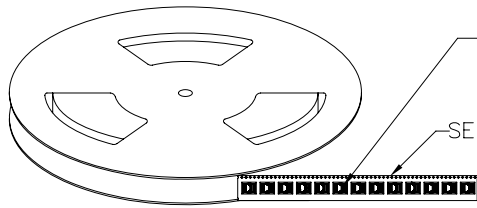
PACKAGE SPEC:
1.FOR THE P/N:ACA-SPI-004-K01/K02/K03/K04/K05

NOTES:

- 1.THE OPERATION OF PACKING REFER THE LEFT PROCESS.
- 2.PACKING LIST.

DESCRIPTION	P/N	SPECIFICATION	QT'Y(PCS)
PRODUCT	ACA-SPI-XXX-XXX	SEE NOTES 1	2100
CARTON	S09-1-30014-K01	340*340*113;K=K	1
REEL	G09-04-30002-02	W=24.4;13"	3
CARRY TAPE	G09-5-00035-K01	24*16*6;PS_CLARITY	11.6*3M
COVER TAPE	G09-05-10004-01	0.05*20.7;PE_WHITE	11.6*3M
PE BAG	G09-06-50002-02	520*520*460;T=0.05mm	1
DUNK COTTON	S09-3-30009-K01	335*335*10;material EPE	2
DESICCANT	G09-07-00001-01	2g/BAG	4BAG

GENERAL TOLERANCES UNLESS SPECIFIED		PART NO. SEE TABLE	LOTES					
X ± 0.35	X° ± 3°					APPROVED BY RON	TITLE SPI FLASH SOCKET FOR SOIC 8PIN	
.XX ± 0.25	.X° ± 2°							
.XXX ± 0.15	.XX° ± 1°	CHECKED BY KAKA	DWG NO. AP-ACA-SPI-004-K					
CUSTOMER DRAWING		DRAWN BY SUN	SHEET 4 / 5	SCALE 1 : 1	REV 21A			
SIZE A4	UNITS MM [INCH]							

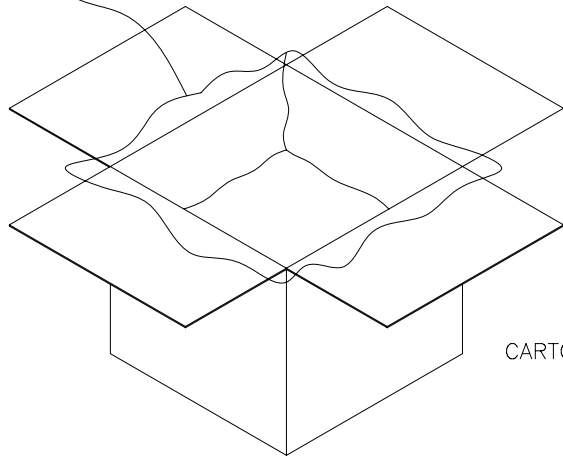


PRODUCT

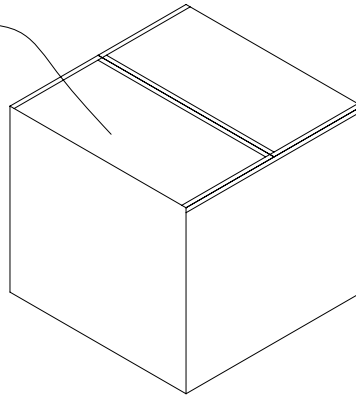
SEE DETAIL "A"

THE HEAD EMPTY 10 PCS
AND THE TAIL EMPTY 15 PCS

PE BAG

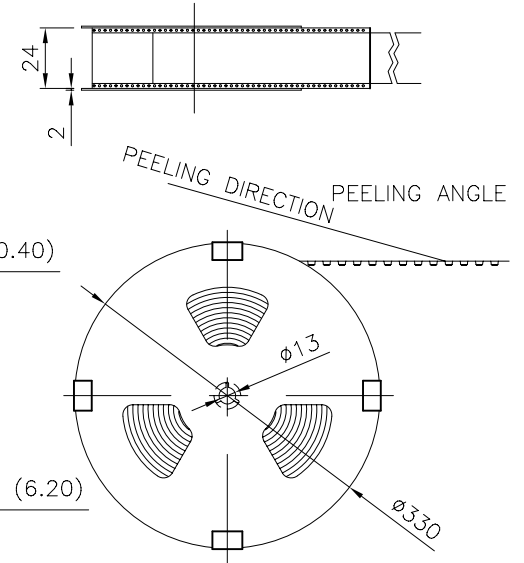
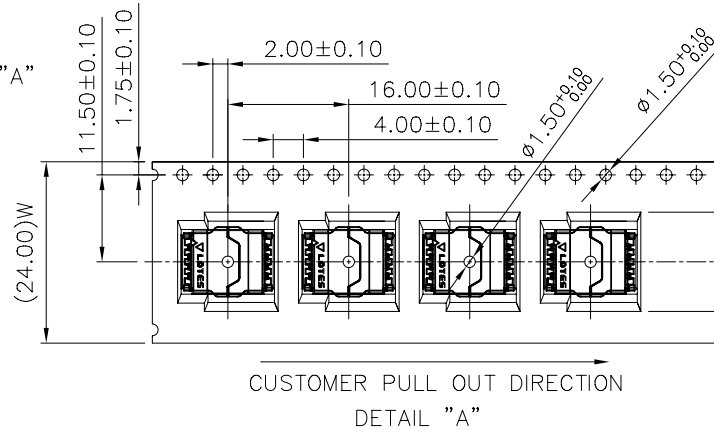


CARTON



PACKAGE SPEC:

1.FOR THE P/N:ACA-SPI-004-K01_A



NOTES:

- 1.THE OPERATION OF PACKING REFER THE LEFT PROCESS.
- 2.PACKING LIST.

DESCRIPTION	P/N	SPECIFICATION	QT'Y(PCS)
PRODUCT	ACA-SPI-004-K01_A	SEE NOTES 1	2100
CARTON	S09-1-30014-K01	340*340*113;K=K	1
REEL	G09-04-30002-02	W=24.4;13"	3
CARRY TAPE	G09-5-00035-K01	24*16*6;PS_CLARITY	11.6*3M
COVER TAPE	G09-05-10004-01	0.05*20.7;PE_WHITE	11.6*3M
PE BAG	G09-06-50002-02	520*520*460;T=0.05mm	1
DUNK COTTON	S09-3-30009-K01	335*335*10;material EPE	2
DESICCANT	G09-07-00001-01	2g/BAG	4BAG

GENERAL TOLERANCES
UNLESS SPECIFIED

X ± 0.35	X.° ± 3°
.XX ± 0.25	.X.° ± 2°
.XXX ± 0.15	.XX.° ± 1°

PART NO.
SEE TABLE

APPROVED BY
RON

CHECKED BY
KAKA

DRAWN BY
SUN

LOTES

TITLE SPI FLASH SOCKET
FOR SOIC 8PIN

DWG NO.
AP-ACA-SPI-004-K

	SHEET	SCALE	REV
	5 / 5	1 : 1	21A