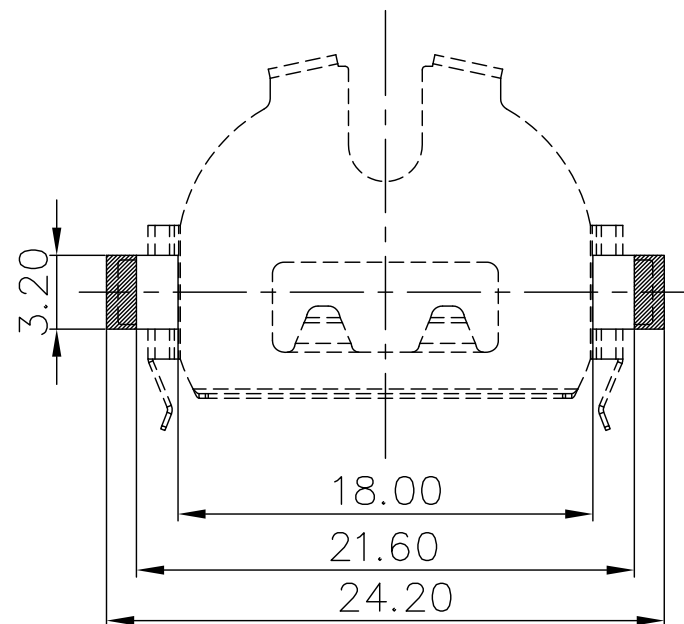
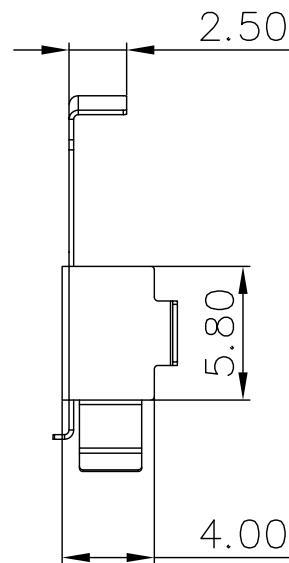
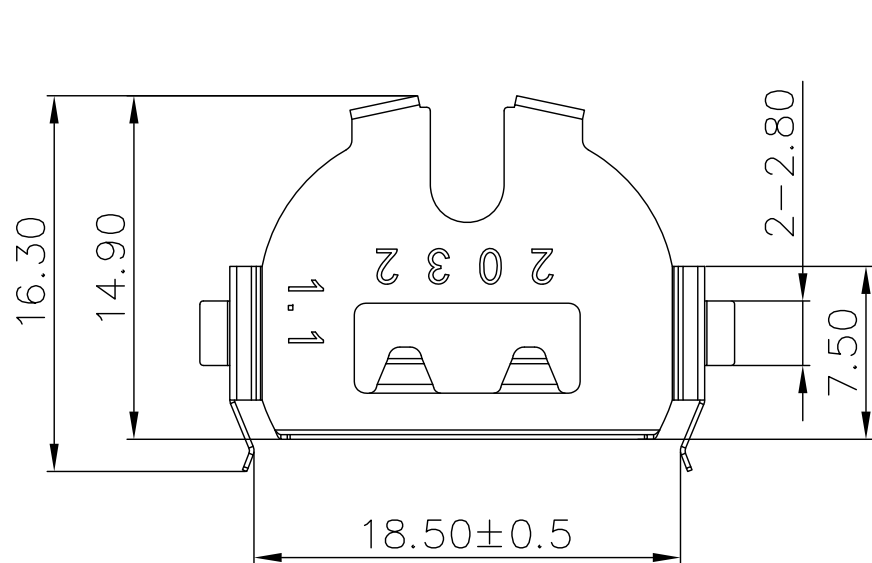
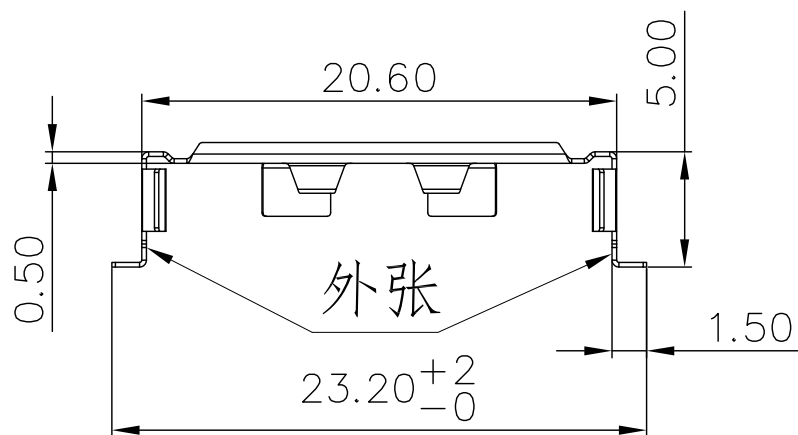




REV.	ECN NO.	REVISED	DATE



PCB(T=0.7-0.75) Layout Diagram
Top View



工程部
2020-10-15
LQ. HUANG

UNLESS OTHERWISE SPECIFIED TOLERANCES		MYOUNG 美阳 www.meiyangdz.com	
DECIMALS: X :±0.30 X.X :±0.25 X.XX :±0.20 X.XXX :±0.10	ANGLES: X :±1° X.X :±0.5°	DSND YangFeng	DATE 2020-10-15
WEIGHT:0.51g		CHKD ZhouRuicai	DATE 2020-10-15
SHEET 1 OF 1		APVD XueShunyong	DATE 2020-10-15
SCALE:2.5:1		SIZE: A4	VIEW:
UNIT: mm		REV.: A/0	OBJECT: MY
TITLE:		电池扣CR2032-B	
PART NO.:		MY-2032-01	
DRAW NO.:		MY-CP-0102	

1	TERMINAL(+)	1	PHOSPHOR BRONZE, T=0.20mm	Ni-Plating
NO.	PART NAME	Q'TY	MATERIAL	PLATING & COLOR